

# Cuisinart®

INSTRUCTION  
AND RECIPE  
BOOKLET



**Cuisinart® 7-Cup Food Processor**

**FP-7 Series**

For your safety and continued enjoyment of this product, always read the instruction book carefully before using.

---

# IMPORTANT UNPACKING INSTRUCTIONS

This package contains a Cuisinart® 7-Cup Food Processor and the accessories for it:

7-cup work bowl, work bowl cover with medium pusher, universal chopping/mixing/dough blade, medium reversible slicing/shredding disc, fine reversible slicing/shredding disc, removable stem adapter, storage hub, base, and instruction/recipe book.

## CAUTION:

### THE CUTTING TOOLS HAVE VERY SHARP EDGES.

To avoid injury when unpacking the parts, please follow these instructions.

1. Place the box on a low table or on the floor next to the kitchen counter where you intend to keep the food processor. Be sure the box is right side up.
2. Open top flaps. There will be a rectangular block of packing material that holds the processor parts, each fitted into a cavity.
3. Remove the instruction/recipe book.
4. Lift out the packing material.
5. Remove the base and bowl, and place them on the counter or table. Read the instructions thoroughly before using the machine.
6. Save the shipping carton and packing material. You will find these very useful if you need to repack the processor for moving or other shipment.

We recommend that you visit our website, <https://cuisinart.registria.com> for a fast, efficient way to complete your product registration.

# IMPORTANT SAFEGUARDS

Always follow these safety precautions when using this appliance.

## Getting Ready

1. Read all instructions.
2. **Blade and discs are sharp.** Handle them carefully.
3. **Always turn off and unplug appliance from outlet when not in use, before putting on or taking off parts, before removing food, and before cleaning. To unplug, grasp plug and pull from electrical outlet. Never pull cord.**
4. Do not use outdoors.

5. Do not let cord hang over edge of table or counter, or touch hot surfaces.
6. Do not operate any appliance that has a damaged cord or plug, or after it has been dropped or damaged in any way. Contact Cuisinart Consumer Service Center at 1-800-762-0190 for information on examination, repair, or adjustment.

## Operation

1. Keep hands as well as spatulas and other utensils away from moving blade or discs while processing food to prevent the possibility of severe personal injury or damage to food processor. A plastic scraper may be used, but only when the food processor motor is stopped.
2. Avoid coming into contact with moving parts. Never push food down by hand when slicing or shredding. Always use pusher.
3. Make sure motor has completely stopped before removing cover. (If machine does not stop within 4 seconds after you remove the bowl cover assembly, call 1-800-762-0190 for assistance. Do not use the machine.)
4. Never store any blade or disc on stem adapter. To reduce the risk of injury, no blade or disc should be placed on the shaft except when the bowl is properly locked in place and the processor is in use. Store blades and discs as you would sharp knives, out of reach of children.
5. Be sure cover and feed tube are securely locked in place before operating food processor.
6. Never feed food by hand. Always use the pusher.
7. Never try to override or tamper with cover interlock mechanism.

## Cleaning

To protect against risk of electrical shock, do not put base in water or other liquids.

## General

1. This appliance should not be used by or near children or individuals with certain disabilities.
2. Do not operate this, or any other motor-driven appliance, while under the influence of alcohol or other substances that affect your reaction time or perception.
3. This food processor is for household use. Use it only for food preparation as described in the accompanying instruction and recipe book. Do not use this appliance for anything but its intended use.
4. When using an approved Cuisinart® Food Processor accessory, read all instructions included with that accessory.
5. The use of attachments not recommended or sold by Cuisinart may cause fire, electrical shock, personal injury, or damage to your food processor.

6. To avoid possible malfunction of work bowl switch, never store processor with cover assembly in locked position.
7. Do not operate your appliance in an appliance garage or under a wall cabinet. **When storing in an appliance garage, always unplug the unit from the electrical outlet.** Not doing so could create a risk of fire, especially if the appliance touches the walls of the garage or the door touches the unit as it closes.

**NOTE: This appliance has a polarized plug (one blade is wider than the other). As a safety feature, this plug will fit in a polarized outlet only one way. If the plug does not fit fully in the outlet, reverse the plug. If it still does not fit, contact a qualified electrician. Do not attempt to defeat this safety feature.**

**NOTE: This appliance is not intended for use by children or by persons with reduced physical, sensory, or mental capabilities, or lack of experience and knowledge. Close supervision is necessary when any appliance is used near children. Children should be supervised to ensure that they do not play with the appliance.**

**Do not fill the bowl above the marked maximum fill line (or rated capacity) to avoid risk of injury due to damage to the cover or bowl.**

## CONTENTS

Important Unpacking Instructions.....	2
Important Safeguards.....	2
Parts .....	4
Assembly Instructions .....	5
Machine Controls .....	5
Machine Functions .....	5
User Guide .....	7
Cleaning, Storage, and Maintenance.....	8
For Your Safety.....	8
Technical Data.....	8
Troubleshooting.....	9
Warranty Information.....	10
Recipes.....	11

# SAVE THESE INSTRUCTIONS.

# FOR HOUSEHOLD USE ONLY.

## WARNING: RISK OF FIRE OR ELECTRIC SHOCK



The lightning flash with arrowhead symbol within an equilateral triangle is intended to alert the user to the presence of dangerous uninsulated voltage within the product's enclosure that may be of sufficient magnitude to constitute a risk of fire or electric shock to persons.



The exclamation point within an equilateral triangle is intended to alert the user to the presence of important operating and maintenance (servicing) instructions in the literature accompanying appliance.

**WARNING**

RISK OF FIRE OR ELECTRIC SHOCK  
DO NOT OPEN

WARNING: TO REDUCE THE RISK OF FIRE OR ELECTRIC SHOCK,

DO NOT REMOVE COVER (OR BACK)

NO USER-SERVICEABLE PARTS INSIDE

REPAIR SHOULD BE DONE BY AUTHORIZED SERVICE PERSONNEL ONLY

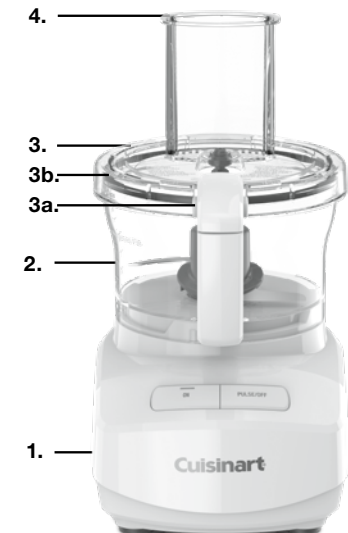
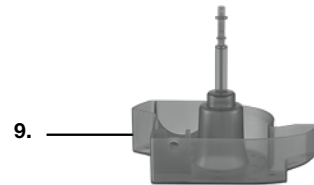
---

## PARTS

### The machine includes:

1. **Housing base** - With control buttons for On and Pulse/Off
2. **7-cup removable work bowl**
3. **Work bowl cover with feed tube**  
To remove the work bowl cover, push in the release buttons (a) on each side of the handle interlock.  
The seal (b) can be removed for cleaning by hand or dishwasher.
4. **Medium pusher** - Slide inside the feed tube.
5. **Stem adapter**
6. **Universal blade for chopping, mixing, and dough**
7. **Fine reversible slicing/shredding disc**
8. **Medium reversible slicing/shredding disc**
9. **Storage hub** - Stores stem adapter, blade, and discs inside the work bowl (for storage use only).

**NOTE:** Cuisinart offers a continuous feed attachment for your food processor that can be purchased separately. The continuous feed attachment allows you to slice and shred food continuously without being constrained by the 7-cup work bowl.



---

## ASSEMBLY INSTRUCTIONS

### Before First Use

Before using your Cuisinart® 7-Cup Food Processor for the first time, wash the work bowl, work bowl cover, pusher, blade, and discs (see cleaning instructions on page 8).

1. Place the food processor base on a dry, level countertop with the controls facing you. Do not plug the unit in until it is fully assembled.
2. With the bowl on the base, use the handle to turn the work bowl clockwise to lock it onto the housing base.

## UNIVERSAL BLADE FOR CHOPPING, MIXING, AND DOUGH

1. Place the work bowl on top of base, with the work bowl handle just to the right of center. Turn the work bowl clockwise to lock it onto the housing base until the handle is centered.
2. Carefully place the blade onto the stem adapter. Holding top of stem adapter, lift and place over the work bowl accessory adapter. Blade should rest on the bottom of the work bowl (see Fig. 1).



Fig. 1

3. Plug in the housing base.
4. Add desired ingredients to work bowl.
5. Place the work bowl cover, with feed tube at the back of the work bowl, on the work bowl by latching the back on first and then pushing down on the front to lock into place.
6. Align pusher with the feed tube opening on the work bowl cover and slide down to the bottom.
7. You are now ready to operate the machine.

## REVERSIBLE SLICING AND SHREDDING DISCS

1. Place the work bowl on top of the base, with the work bowl handle just to the right of center. Turn the work bowl clockwise to lock it onto the housing base.
2. Insert stem adapter **without universal blade**.
3. Choose desired disc.
4. Carefully place disc over stem adapter, with the side being used facing up.
5. Place the work bowl cover, with feed tube at the back of the work bowl, on the work bowl by latching the back on first and then pushing down on the front to lock into place.

6. Align pusher with the feed tube opening on the work bowl cover and slide down to the bottom.
7. Plug in the housing base.
8. The machine is now ready for use.

## MACHINE CONTROLS

### On and Pulse/Off Control Buttons

The On control button allows the machine to run until Pulse/Off is selected.

1. Properly assemble and engage the machine.
2. Add ingredients to the work bowl, either through the feed tube or directly into the bowl.
3. Press the On button and the motor will start.
4. Press the Pulse/Off button when finished.

### Pulse/Off Button

The Pulse control is a button that allows the machine to run only while it is being pressed. This capability provides more accurate control of the duration and frequency of processing. Unless otherwise specified, a pulse should be about 1 second.

With the machine properly assembled and engaged, and ingredients in the work bowl, press the Pulse/Off button repeatedly as needed.

## MACHINE FUNCTIONS

### Using the Universal Blade for Chopping, Mixing, and Dough

#### Chopping

- For raw ingredients: Peel, core, and/or remove seeds and pits. Food should be cut into even ½- to 1-inch pieces. Foods cut into same-size pieces produce the most even results.
- Pulse food in 1-second increments to chop. For the finest chop, either hold the Pulse/Off button down or press On to run the machine continuously. Watch ingredients closely to achieve desired consistency and scrape the work bowl as necessary.

#### Puréeing

- To purée fresh fruits or cooked fruits/vegetables: Ingredients should be cut into 1-inch pieces; a smooth purée is best achieved when all the pieces are equal in size. Pulse to initially chop and then process by pressing On until the food is pureed; scrape the work bowl as necessary. **NOTE: Do not use this method to purée cooked white potatoes.**
- To purée solids for a soup or sauce: Strain the solids from the liquid and process the solids alone. Add cooking liquid and process as needed.

---

## Dough

- First, process the dry ingredients (flour, salt, etc). Press On to start processing. With the machine running, add the liquid ingredients through the feed tube as quickly as the dry ingredients will absorb them. Should liquid be added too quickly, wait until ingredients in work bowl have been incorporated before adding more liquid. Add remaining liquid slowly with machine still running. If dough appears too sticky, add additional flour, about 1 tablespoon at a time, until a cohesive dough ball is formed. Conversely, do the same should the dough be too dry, adding additional liquid 1 tablespoon at a time until a cohesive dough ball forms.

Never use more than 2 cups of flour when preparing a yeasted dough in this food processor.

## Using the Reversible Slicing and Shredding Discs

- The slicing side of the discs makes whole slices. It slices fruits and vegetables, cooked meat, and semi-frozen raw meat. The shredding side of the discs shreds most firm and hard cheeses. It also shreds vegetables like potatoes, carrots, and zucchini.
- Always pack food in the feed tube evenly for slicing and shredding. The food will dictate the amount of pressure: Use light pressure for soft foods, medium pressure for medium foods, and firm pressure for harder foods. Always process with even pressure.

- For round fruits or vegetables: Remove a thick slice on the bottom of the produce so that it sits upright in the feed tube. If food does not fit in the feed tube, cut in half or quarters to fit. Process with even pressure.
- For small ingredients like mushrooms, radishes, or strawberries: Trim the ends so the food sits upright in the feed tube.
- When slicing or shredding cheese, be sure that the cheese is well chilled.
- To shred leafy vegetables like lettuce or spinach: Roll leaves together and stand them up in feed tube. Process with even pressure.

**NOTE: Do not use universal blade when slicing or shredding.**

**NOTE: Always use the pusher when slicing or shredding. Never put your hands in the feed tube while unit is running.**

## RECOMMENDED MAXIMUM WORK BOWL CAPACITY

FOOD	CAPACITY
Sliced or shredded fruit, vegetable, or cheese	7 cups
Chopped fruit, vegetable, or cheese	4 cups
Puréed fruit or vegetable	3 cups cooked; 2 cups puréed
Chopped or puréed meat, fish, or seafood (raw)	$\frac{3}{4}$ pound
Thin liquid (e.g., dressings, soups, etc.)	5 cups
Cake batter	8-inch cheesecake batter; 1 box (15.25-ounce) cake mix
Cookie dough	2½ dozen (based on average chocolate chip cookie recipe)
White bread/pizza dough	2 cups (all-purpose or bread flour)
Nuts for nut butter	2 cups

## USER GUIDE

You can slice, shred, and chop a multitude of vegetables and fruits in the Cuisinart® Food Processor. What you may not know is that the food processor is the perfect tool for a number of other tasks, such as softening butter, making breadcrumbs, making baby food, etc. Here is a guide that will help you in preparing just about anything!

FOOD	TOOL	SPEED	DIRECTIONS
Soft Cheeses (ricotta, cream cheese, cottage cheese, etc.)	Universal Chopping/Mixing/ Dough Blade	On	Bring cheese to room temperature. When applicable, cut into 1-inch pieces. Process until smooth, stopping to scrape down the sides of the bowl as needed. Perfect for making cheesecakes, dips, pasta fillings, and more.
Firm Cheeses (Cheddar, Swiss, Edam, Gouda, etc.)	Slicing or Shredding Disc	On	Cheese should be well chilled before slicing/shredding. Cut to fit feed tube. Use light to medium pressure when slicing/shredding.
Hard Cheeses (Parmesan, Romano, etc.)	Universal Chopping/Mixing/ Dough Blade Slicing or Shredding Disc	On	If using the universal blade, cut into ½-inch pieces. Pulse to break up and then process until finely grated. This will produce a nicely grated cheese. If slicing or shredding, cut to fit feed tube. Use light to medium pressure when slicing/ shredding.
Baby Food	Universal Chopping/Mixing/ Dough Blade	Pulse and On	As for all fruit and vegetable purées, cut ingredients into ½- to 1-inch pieces. Steam ingredients until completely soft. Pulse to chop, then process until completely smooth (add steaming liquid through the feed tube when processing if necessary). To ensure there are no lumps, press mixture through a fine mesh strainer. Keeps frozen in ice cube trays for individual 1-ounce portions.
Butter	Universal Chopping/Mixing/ Dough Blade Slicing or Shredding Disc	On	<i>For creaming:</i> Bring butter to room temperature. Cut into 1-inch pieces. Process, scraping bowl as necessary. For compound (flavored) butters, process flavoring ingredients, such as herbs, zest, vegetables, etc., before adding butter. <i>For shredding/slicing:</i> Freeze briefly. Use light to medium pressure to shred or slice. Shredded butter is great for preparing certain pastry doughs. Sliced butter is great for serving alongside corn on the cob or freshly made rolls.
Crumbs (Bread, Cookie, Cracker, Chip)	Universal Chopping/Mixing/ Dough Blade	On	Break into pieces. Pulse to break up, and then process until desired consistency. This will make perfect bread/cracker/chip crumbs for coating meats and fish. Processed cookies make delicious pie and cake crusts!
Fresh Herbs	Universal Chopping/Mixing/ Dough Blade	Pulse	Wash and dry herbs well. Pulse to roughly chop. Continue pulsing until desired consistency is achieved.
Ground Meat	Universal Chopping/Mixing/ Dough Blade	Pulse and On	Cut meat into ½-inch pieces. Pulse to chop — about 14 long pulses or until desired consistency is achieved. If a purée is desired, continue to process. Never chop/purée more than 1½ pounds at one time.
Ice Cream	Universal Chopping/Mixing/ Dough Blade	On	Put frozen fruit cut into 1-inch pieces into the work bowl, with liquid (juice or milk), any desired sweeteners (such as sugar, honey, or simple syrup), and other flavors. Process until smooth.
Milkshakes/ Smoothies	Universal Chopping/Mixing/ Dough Blade	On	For milkshakes, first add ice cream. While unit is running, add milk through the feed tube until desired consistency is achieved. For smoothies, add fruit first, then add the liquid through the feed tube while unit is running.
Nuts	Universal Chopping/Mixing/ Dough Blade	Pulse and On	Pulse to chop to desired consistency. To make a nut butter, pulse to break up, and then process until smooth, stopping to scrape down as needed
Superfine Sugar	Universal Chopping/Mixing/ Dough Blade	On	Process granulated sugar for about 1 minute until finely ground. Excellent for using in meringues and other baked goods.
Whipped Cream	Universal Chopping/Mixing/ Dough Blade	On	Process well-chilled cream until cream begins to thicken. Add sugar as desired; process continuously until cream reaches desired consistency. This cream is dense and perfect as a whipped topping for cake or ice cream.

---

## CLEANING, STORAGE, AND MAINTENANCE

- Keep your Cuisinart® 7-Cup Food Processor ready to use on the kitchen counter. When not in use, leave it unplugged. Store accessories in the provided storage hub, inside the work bowl.
- Keep the blade and discs out of the reach of children.
- All parts except the housing base are dishwasher safe but on the **top rack only**. Due to intense water heat, washing the work bowl, cover, and accessories on the bottom rack may cause damage over time. Insert the cover with the feed tube facing up to ensure proper cleaning. Insert the work bowl and pusher upside down for drainage. Remember to unload the dishwasher carefully when removing sharp blade and discs.
- To simplify cleaning, rinse the work bowl, cover, pusher, stem adapter, blade, or discs immediately after use so food won't dry on them. Be sure to position the pushers and work bowl upside down for drainage. If food lodges in the pusher, remove it by running water through it, or use a bottle brush.
- If you wash the blade and discs by hand, do it carefully. When handling, use the plastic hubs. Avoid leaving them in soapy water where they may disappear from sight. If necessary, use a brush.
- Work bowl should not be placed in a microwave oven.
- The housing base may be wiped clean with a soapy, nonabrasive cloth or sponge. Be sure to dry it thoroughly.
- If the feet leave spots on the counter, spray stains with a spot remover and wipe with a damp sponge.
- If any trace of the spot remains, repeat the procedure and wipe the area with a damp sponge and nonabrasive cleaning powder.

**IMPORTANT:** Always use the provided storage hub. Never store any blade or disc on the stem adapter. No blade or disc should be placed on the shaft except when the processor is about to be used.

**MAINTENANCE:** Any other servicing should be performed by an authorized service representative.

## FOR YOUR SAFETY

- Like all powerful electrical appliances, a food processor should be handled with care. Follow these guidelines to protect yourself and your family from misuse that could cause injury.
- Handle and store metal blade and discs carefully using the provided storage hub. Their cutting edges are very sharp.

- Never attach the stem adapter with discs or blade on it until the work bowl is locked in place.
- Always be sure that the blade or disc is down on the stem adapter as far as it will go.
- Always insert the stem adapter with metal blade in the work bowl before putting ingredients in bowl.
- When slicing or shredding food, always use the pusher. Never put your fingers or spatula into feed tube.
- Always wait for the blade or disc to stop spinning before you remove the pusher assembly or cover from the work bowl.
- Always unplug the unit before removing food, cleaning, or putting on or taking off parts.
- Always remove work bowl from base of machine before you remove the universal chopping/mixing/dough blade or slicing/shredding disc.
- Be careful to prevent the chopping blade or slicing/shredding disc from falling out of the work bowl when emptying the bowl. Remove the stem adapter with blade before tilting the work bowl.

## TECHNICAL DATA

The motor in your food processor operates on a standard line operating current. The appropriate voltage and frequency for your machine are shown on a label on the bottom of the base.

An automatic temperature-controlled circuit breaker in the motor ensures complete protection against motor burnout. If the processor runs for an exceptionally long time when chopping, mixing, or kneading a thick or heavy mixture in successive batches, the motor may overheat. If this happens, the processor will stop. Turn it off, unplug the unit, and wait for the motor to cool before proceeding. It will usually cool within 10 minutes. In extreme cases, it could take an hour.

Safety switches prevent the machine from operating when the work bowl or the cover is not locked into position. The motor stops within seconds when the motor is turned off; and when the pusher assembly is removed, a fast-stop circuit also enables the motor to stop within seconds.

Cuisinart offers a limited three-year warranty on the entire machine.



---

# TROUBLESHOOTING

## Food Processing

- 1. Problem:** The food is unevenly processed.

**Solution:**

- The ingredients should be cut evenly into ½- to 1-inch pieces before processing.
- Process in batches to avoid overloading.

- 2. Problem:** Slices are uneven or slanted.

**Solution:**

- Place food cut side down into the feed tube.
- Apply even pressure on the pusher.

- 3. Problem:** Food falls over in feed tube.

**Solution:**

- Feed tube should be loosely packed. Food should not be tightly packed inside the feed tube for best results.

- 4. Problem:** Some food remains on top of the disc.

**Solution:**

- It is normal for small pieces to remain; cut remaining bits by hand and add to processed ingredients.

- 5. Problem:** Universal chopping/mixing/dough blade cannot be removed from the stem adapter.

**Solution:**

- Place the blade/stem adapter assembly in a bowl filled with warm tap water. This should help loosen trapped food particles between the blade and stem adapter. To see if food has loosened, remove assembly from water by lifting from the stem. Holding the stem, place the blade assembly on countertop and press down on stem. This should free the blade from the stem. If blade still cannot be removed, return to warm water and repeat above steps.

## Dough Kneading

- 1. Problem:** Motor slows down.

**Solution:**

- Amount of dough may exceed maximum capacity of your food processor. Remove half and process in two batches.
- Dough may be too wet (see number 8). If motor speeds up, continue processing. If not, add more flour, 1 tablespoon at a time, until the motor speeds up. Process until dough cleans the sides of the work bowl.

- 2. Problem:** Blade doesn't incorporate ingredients.

**Solution:**

- Always start the food processor before adding liquid. Add liquid in a slow, steady stream through

the feed tube, allowing the dry ingredients to absorb the liquid as fast as they can. If too much liquid is added, wait until ingredients in the work bowl are incorporated, then add remaining liquid slowly (do not turn off the machine). Pour liquid onto dough as it passes under feed tube opening; do not pour liquid directly onto bottom of the work bowl.

- 3. Problem:** Blade rises in work bowl.

**Solution:**

- Excessively sticky dough can cause blade to rise. Carefully reinsert blade and immediately add 2 tablespoons of flour through the feed tube while the machine is running.

- 4. Problem:** Dough doesn't clean inside of the work bowl.

**Solution:**

- Amount of dough may exceed maximum capacity of your food processor. Remove half and process in two batches.
- Dough may be too dry (see number 7).
- Dough may be too wet (see number 8).

- 5. Problem:** Nub of dough forms on top of blade and does not become uniformly kneaded.

**Solution:**

- Stop machine, carefully remove dough, divide it into 3 pieces and redistribute them evenly in the work bowl.

- 6. Problem:** Dough feels tough after kneading.

**Solution:**

- Divide dough into 2 or 3 pieces and redistribute evenly in bowl. Process 10 seconds or until uniformly soft and pliable.

- 7. Problem:** Dough is too dry.

**Solution:**

- While machine is running, add water, 1 tablespoon at a time, until dough cleans the inside of the bowl.

- 8. Problem:** Dough is too wet.

**Solution:**

- While machine is running, add flour, 1 tablespoon at a time, until dough cleans the inside of the bowl.

## Technical

- 1. Problem:** The motor does not start.

**Solution:**

- There is a safety interlock to prevent the motor from starting if it is not properly assembled. Make sure the work bowl and work bowl cover are securely locked into position.

- If the motor still will not start, check the power cord and outlet.

**2. Problem:** The food processor shuts off during operation.

**Solution:**

- The cover may have become unlocked; check to make sure it is securely in position.
- A safety protector in the motor prevents the motor from overheating, which is caused by excessive strain. Press the Pulse/Off button, unplug the unit, and wait 20 to 30 minutes to allow the food processor to cool off before resuming.

**3. Problem:** The motor slows down during operation.

**Solution:**

- This is normal as some heavier loads (e.g., slicing/shredding cheese) may require the motor to work harder. Simply reposition the food in the feed tube and try again.
- The maximum load capacity may have been exceeded. Remove some of the ingredients and continue processing.

**4. Problem:** The food processor vibrates or moves around the countertop during processing.

**Solution:**

- Make sure the rubber feet at the bottom of the unit are clean and dry. Also make sure that the maximum load capacity is not being exceeded.
- This is normal as some heavier loads (e.g., slicing/shredding cheese) may require the motor to work harder.

## WARRANTY

### Limited Three-Year Warranty

This warranty is available only to U.S. consumers who purchase products directly from Cuisinart or an authorized Cuisinart® reseller. You are a consumer if you own a Cuisinart® 7-Cup Food Processor that was purchased at retail for personal, family, or household use. Except as otherwise required under applicable law, this warranty is not available to retailers or other commercial purchasers or owners or consumers who purchase from unauthorized Cuisinart® resellers. We warrant that your Cuisinart® 7-Cup Food Processor will be free of defects in materials and workmanship under normal home use for 3 years from the date of original purchase.

We recommend that you visit our website, <https://cuisinart.registria.com>, for a fast, efficient way to complete your product registration. However, product registration does not eliminate the need for the consumer to maintain the original proof of purchase in order to obtain the warranty benefits. In the event that you do not have proof of purchase date, the purchase date for purposes of this warranty will be the date of manufacture.

### CALIFORNIA RESIDENTS ONLY

California law provides that for In-Warranty Service, California residents have the option of returning a nonconforming product (A) to the store where it was purchased or (B) to another retail store that sells Cuisinart products of the same type. The retail store shall then, according to its preference, either repair the product, refer the consumer to an independent repair facility, replace the product, or refund the purchase price less the amount directly attributable to the consumer's prior usage of the product. If neither of the above two options results in the appropriate relief to the consumer, the consumer may then take the product to an independent repair facility, if service or repair can be economically accomplished. Cuisinart and not the consumer will be responsible for the reasonable cost of such service, repair, replacement, or refund for nonconforming products under warranty. California residents may also, according to their preference, return nonconforming products directly to Cuisinart for repair or, if necessary, replacement by calling our Consumer Service Center toll-free at **1-800-726-0190**. Cuisinart will be responsible for the cost of the repair, replacement, and shipping and handling for such nonconforming products under warranty.

### HASSLE-FREE REPLACEMENT WARRANTY

Your ultimate satisfaction in Cuisinart products is our goal, so if your Cuisinart® 7-Cup Food Processor should fail within the generous warranty period, we will repair it or, if necessary, replace it at no cost to you. To obtain a return shipping label, please fill out the product inquiry form at <https://www.cuisinart.com/customer-care/product-assistance/product-inquiry/>. Or call our Consumer Service Center toll-free at **1-800-726-0190** to speak with a representative.

Your Cuisinart® 7-Cup Food Processor has been manufactured to the strictest specifications and has been designed for use only in 120-volt outlets and only with authorized accessories and replacement parts. This warranty expressly excludes any defects or damages caused by attempted use of this unit with a converter, as well as use with accessories, replacement parts, or repair service other than those authorized by Cuisinart. This warranty does not cover any damage caused by accident, misuse, shipment, or other than ordinary household use. This warranty excludes all incidental or consequential damages. Some states do not allow the exclusion or limitation of these damages, so these exclusions may not apply to you. You may also have other rights, which vary from state to state.

**Important:** If the nonconforming product is to be serviced by someone other than Cuisinart's Authorized Service Center, please remind the servicer to call our Consumer Service Center at **1-800-726-0190** to ensure that the problem is properly diagnosed, the product is serviced with the correct parts, and the product is still under warranty.

# Cuisinart

Cuisinart® 7-Cup Food Processor

## Recipe Booklet



## Breakfast/Brunch

Zucchini Spice Bread .....	14
Spinach , Mushroom, and Gruyère Quiche .....	14-15
Kale & Sun-Dried Tomato Egg Bites.....	16
Hash Browns .....	17
Tropical Smoothie Bowl .....	17

## Dips/Spreads

Crispy Shallot Butter .....	18
Maple-Bacon Butter .....	19
Vegetable Cream Cheese.....	19
Honey Nut Butter.....	20
Winter Squash Hummus .....	20
Salsa Fresca.....	21
Guasacaca .....	21
Layered Taco Dip .....	22

## Dressings/Sauces

Simple Tomato Sauce or Pizza Sauce .....	23
Sun-Dried Tomato and Almond Pesto .....	24
Basil Pesto .....	24-25
Aïoli.....	25
Greek Vinaigrette.....	25-26
Caesar Dressing.....	26
Vegan Caesar Dressing.....	26-27

## Soups/Salads/Sides

Gazpacho .....	27
Loaded Sweet Potato Soup .....	28
Greek Salad.....	29
Spicy Slaw.....	29
Sliced Brussels Sprouts Caesar Salad.....	30
Quick-Pickled Veggies .....	31
Potato-Zucchini-Carrot Cakes.....	32
Cauliflower Fried Rice .....	33

## Main Course

Hawaiian Pizza .....	34
Margherita Pizza.....	35
Vegetable Stir-Fry .....	36
Mushroom Bolognese .....	37
Chicken Pot Pie.....	38
Cilantro-Lime Chicken.....	39
Pasta Primavera .....	40
Falafel with Middle Eastern Salad.....	41

Lamb Meatballs.....	42
Smash Veggie Burger.....	43

## Bread/Dough

Plain and Seasoned Breadcrumbs .....	44
Pizza Dough .....	45
Gluten-Free Pizza Dough.....	45-46
Cauliflower Crust for Pizza .....	46
Flaky Pie Crust (Pâte Brisée) .....	47
Buttermilk Drop Biscuits .....	47-48
Flour Tortillas .....	48

## Desserts

Cranberry Apple Pie.....	49
Banana-Chip “Ice Cream” with Peanut Butter Swirl .....	50
Pistachio Shortbread .....	50-51
Raspberry Swirl Cheesecake.....	51-52
Chocolate Hazelnut Spread .....	52

# Zucchini Spice Bread

This moist quick bread is perfect for breakfast or for an afternoon snack.

**Yield:** one 2-pound loaf (16 servings)

---

## INGREDIENTS

	Nonstick cooking spray	½	cup walnuts, lightly toasted
2¼	cups unbleached all-purpose flour	1	large zucchini (approximately 8 to 10 ounces)
1½	teaspoons ground cinnamon		
¾	teaspoon ground allspice	½	cup vegetable oil
¼	teaspoon ground nutmeg	1	cup granulated sugar
1	teaspoon kosher salt	2	large eggs
1½	teaspoons baking powder	½	cup dried cherries or cranberries

---

## INSTRUCTIONS

1. Preheat the oven to 325°F. Coat a 9x5x3-inch loaf pan with cooking spray.
2. Insert the universal blade into the work bowl of the Cuisinart® 7-Cup Food Processor. Add the flour, spices, salt, and baking powder and process for 10 to 15 seconds to sift. Transfer to a large bowl; reserve. Add the walnuts to the work bowl and pulse to chop, 2 to 3 pulses. Leaving the nuts in the work bowl, remove the universal blade and insert the medium shredding disc. Trim the zucchini to fit the feed tube in a standing position, and shred. Transfer the walnuts and zucchini to the bowl with the dry ingredients. Stir to combine.
3. Reinsert the universal blade and add the vegetable oil, sugar, and eggs. Process for 5 to 10 seconds until combined. Add to the bowl with the dry ingredients, along with the dried fruit, and stir until just combined.
4. Pour the batter into the prepared pan, and bake in the middle of the oven for 1 hour and 15 minutes, or until a toothpick or cake tester comes out clean.
5. Cool on a wire rack for 5 minutes, and then turn the loaf onto a wire rack to cool completely.

### **Nutritional information per serving:**

*Calories 194 (37% from fat) • carb. 28g • pro. 3g • fat 8g • sat. fat 1g • chol. 23mg • sod. 183mg • calc. 14mg • fiber 1g*

# Spinach, Mushroom, and Gruyère Quiche

Quiche is surprisingly simple to prepare, and made even simpler with the assistance of the food processor. Be sure the crust is nicely par-baked before pouring in the filling to ensure a flaky base.

**Yield:** 12 servings

---

## INGREDIENTS

	Unbleached all-purpose flour, as needed	¼	teaspoon kosher salt, divided
			Pinch freshly ground black pepper
½	recipe Flaky Pie Crust (page 47)	¼	teaspoon fresh thyme leaves
1	large egg white, lightly beaten	1	cup baby spinach
1	garlic clove, peeled	1	ounce Gruyère
4	ounces baby bella (cremini) or white mushrooms, scrubbed and trimmed	½	cup whole milk
		½	cup heavy cream
1½	teaspoons olive oil	4	large eggs

---

---

## INSTRUCTIONS

1. On a lightly floured surface, roll out the pastry into an 11-inch circle about  $\frac{1}{8}$  inch thick. Reverse the dough onto the rolling pin and unroll it evenly over a 9-inch tart pan. Press the dough lightly into the pan, lifting the edges and working it gently down into the bottom edge of the pan. Trim off excess dough by rolling the pin over the top of the pan. With your thumbs, push the dough  $\frac{1}{8}$  inch above the edge of the mold to make an even, rounded rim of dough around the inside circumference of the pan. Chill in refrigerator for about 30 minutes.
2. Preheat the oven to 400°F with the rack in the middle position. Using the tines of a fork, prick the dough evenly all over, but make sure not to go entirely through the dough. Line the shell with parchment and weigh it down with pie weights, dried beans, or rice. Put the tart shell in the oven and bake until the dough under the parchment is no longer wet, about 20 minutes. Remove the weights and parchment, and bake for another 2 minutes, until the shell is lightly brown. Brush immediately with the egg white. Reserve. **Reduce the oven temperature to 325°F.**
3. While the tart shell is baking, prepare the filling. Insert the universal blade in the work bowl of the Cuisinart® 7-Cup Food Processor. While the unit is running, drop the garlic through the feed tube to finely chop. Keeping the garlic in the work bowl, remove and set aside the universal blade, and insert the medium slicing disc. Slice the mushrooms.
4. Put the oil into a medium skillet (about 10 inches) set over medium-low heat. Once the oil is hot, add the garlic with a pinch of the salt and the pepper. Sauté until the garlic is softened and fragrant, but has not browned. Add the mushrooms, the remaining salt, and the thyme. Sauté until the mushrooms are starting to brown and have softened. Add the spinach and cook, stirring, until wilted. Remove and reserve.
5. Remove the slicing disc and replace with the fine shredding disc. Shred the Gruyère. Remove and reserve.
6. Remove the shredding disc and replace with the universal blade. Process the milk, cream, and eggs until combined, about 20 seconds. Reserve the custard in bowl.
7. Spread the mushroom-spinach mixture in the tart shell, top with the custard, and sprinkle with the cheese. (Depending on your tart pan, the custard may not all fit. Do not overfill.)
8. Carefully place the quiche in the preheated oven. Bake until just set, 20 to 22 minutes.
9. Transfer to a wire rack to cool for about 5 minutes before slicing and serving.

### **Nutritional information per serving:**

Calories 181 (71% from fat) • carb. 9g • pro. 4g • fat 14g • sat. fat 8g • chol. 99mg • sod. 181mg • calc. 50mg • fiber 0g

# Kale & Sun-Dried Tomato Egg Bites

Perfect for your breakfast meal prep, these egg bites are a great on-the-go option for busy weekdays.

**Yield:** 9 egg bites

---

## INGREDIENTS

3	ounces fontina cheese	1½	teaspoons olive oil
1	garlic clove, peeled	1	teaspoon kosher salt, divided
½	cup sun-dried tomatoes, preferably not packed in oil	6	large eggs
4	large lacinato kale leaves, tough stems removed	2	tablespoons whole-milk plain Greek yogurt
		¼	teaspoon freshly ground black pepper

---

## INSTRUCTIONS

1. Preheat the oven to 225°F with the rack in the middle position.
2. Insert the medium shredding disc assembly in the Cuisinart® 7-Cup Food Processor. Shred the fontina. Remove and reserve.
3. Remove the shredding disc and insert the universal blade in the work bowl of the food processor. While running, drop the garlic through the feed tube to finely chop. Add the sun-dried tomatoes and pulse 5 to 6 times until roughly chopped. Remove and reserve. Remove and set aside the universal blade, and insert the medium slicing disc. Roll the kale leaves together and slice. Reserve in a bowl.
4. Put the oil in a medium skillet (about 10 inches) set over medium to medium-low heat. Once the oil is hot, add the garlic and sun-dried sun-dried tomatoes with a pinch of the salt. Sauté until the garlic is softened and fragrant, but has not browned. Add the kale, and sauté until the kale is bright and wilted. Remove and reserve.
5. Insert the universal blade in the work bowl of the food processor. Process the eggs, yogurt, pepper, and remaining salt until combined, about 15 seconds. Reserve the custard in bowl.
6. Evenly distribute the sun-dried tomato-kale mixture and shredded cheese among 9 nonstick muffin cups. Divide the egg mixture evenly among the muffin cups, filling each about ¾ full. Stir each muffin cup with a toothpick to make sure the ingredients are evenly distributed.
7. Bake in the oven for 25 to 30 minutes, or until a toothpick inserted in the center of an egg bite comes out clean.
8. Transfer to a wire rack to cool slightly before serving. Store leftover egg bites in an airtight container in the refrigerator for up to 5 days.

**Tip:** To reheat egg bites, place on a microwave-safe plate and heat for 30 seconds or place in a toaster oven for 2 minutes.

### **Nutritional information per egg bite:**

Calories 110 (58% from fat) • carb. 4g • pro. 8g • fat 7g • sat. fat 3g • chol. 135g • sod. 446g • calc. 102 mg • fiber 1g



# Hash Browns

The food processor shreds potatoes in seconds to achieve this crowd-pleasing diner side.

Makes 4 patties

**Yield:** 4 patties

---

## INGREDIENTS

1	pound russet potatoes, peeled and cut lengthwise into eight planks	1¼	teaspoons kosher salt
1	scallion, cut into 2-inch pieces	¼	Pinch freshly ground black pepper cup vegetable oil

---

## INSTRUCTIONS

1. Fit the Cuisinart® 7-Cup Food Processor with the fine shredding disc. Shred the potatoes. Transfer the potatoes to a clean tea towel. Squeeze the towel to remove excess liquid from the potatoes.
2. Replace the disc with the universal blade. Put the scallion in the work bowl, and pulse 10 to 12 times to finely chop the scallion.
3. In a large mixing bowl, combine the potatoes with the scallion, salt, and pepper.
4. Divide the potato mixture evenly into 4 portions. Use your hands to form the mixture into patties.
5. Put the oil in a large, heavy skillet and place over medium heat. Once the oil is shimmering and a small piece of potato sizzles immediately upon contact, carefully place each patty in the oil. Cook for about 3 minutes, leaving undisturbed before carefully flipping and cooking for another 3 minutes. Adjust the heat so that the patties are constantly sizzling.
6. When the patties are nicely browned on both sides, transfer to a paper towel-lined plate to drain, and then serve.

### **Nutritional information per serving (1 patty):**

Calories 170 (44% from fat) • carb. 21g • pro. 2g • fat 8g • sat. fat 2g • chol. 0mg • sod. 828mg • calc. 16mg • fiber 2g

# Tropical Smoothie Bowl

Packed with vitamins and antioxidants, this tropical bowl is a great way to start the day.

**Yield:** 2 servings

---

## INGREDIENTS

1	ripe banana	½	cup frozen pineapple
2	3.5-ounce packets frozen açai purée, broken or cut into 1-inch pieces	1	cup fresh berries
½	cup frozen mango	½	cup granola, mixed nuts and seeds, or desired toppings

---

## INSTRUCTIONS

1. Insert the universal blade in the work bowl of the Cuisinart® 7-Cup Food Processor. Add the banana, açai, mango, and pineapple in the work bowl.
2. Pulse 5 to 6 times to break up the fruit, and then process for about 2 minutes until smooth and creamy.

3. Divide between 2 bowls and top evenly with ½ cup each berries and ¼ cup each granola, mixed nuts and seeds, and other desired toppings.

4. Serve immediately.

**Nutritional information per serving:**

Calories 334 (27% from fat) • carb. 61g • pro. 5g • fat 11g • sat. fat 3g • chol. 0mg • sod. 71mg • calc. 32mg • fiber 12g

## Crispy Shallot Butter

The first step of this recipe is to prepare the crispy shallots.

You'll have more shallots than you need for the butter, so use the remainder for other uses, such as sprinkling over salads, grain bowls, or soup.

**Yield:** about ½ cup

---

### INGREDIENTS

#### Crispy shallots

2 medium shallots, peeled and trimmed  
½ to ½ cup vegetable oil  
Heavy pinch kosher salt

#### Compound butter

8 tablespoons (1 stick) good-quality unsalted butter, cut into 4 pieces, room temperature  
1 teaspoon fresh thyme leaves  
¼ to ¾ teaspoon kosher salt, to taste  
Pinch freshly ground black pepper

---

### INSTRUCTIONS

1. Prepare the crispy shallots. Insert the fine slicing disc in the work bowl of the Cuisinart® 7-Cup Food Processor. Slice the shallots. Transfer the shallots to a microwave-safe bowl. Add the oil, making sure that the oil fully covers the shallots. Start with ½ cup but use no more than ½ cup. Put into a microwave and set the time for 5 minutes and power level to High. Continue to microwave on High, in 30-second increments, until golden, about 2 to 3 times. Keep the cycles short to prevent burning the shallots; cooking in 30-second bursts allow you to keep an eye on the color. Once golden, carefully transfer to a fine-mesh strainer to drain, and then transfer to a paper towel-lined plate. Blot well with additional paper towels, and then season with the salt. Reserve 3 tablespoons of the shallots for the butter, and store the remainder in an airtight container at room temperature.
2. Remove the slicing disc and replace with the universal blade. Add the butter. Process until completely softened, then add 3 tablespoons of the crispy shallots, the thyme, and ¼ teaspoon of the salt. Pulse, using long pulses, stopping to scrape down the bowl as needed, until ingredients are well incorporated but not overprocessed. Taste and add more salt if desired. Transfer to a piece of parchment paper. Shape into a log, wrap well in the parchment, then cover tightly with plastic wrap. Chill until firm.

**Nutritional information per serving (1 tablespoon):**

Calories 108 (97% from fat) • carb. 1g • pro. 0g • fat 12g • sat. fat 8g • chol. 30mg • sod. 143mg • calc. 2mg • fiber 0g

# Maple-Bacon Butter

Packed with the best flavors of breakfast, this butter is great for sweet foods such as waffles, for savory items such as biscuits, or even stirred into a soup.

**Yield:** about ½ cup

---

## INGREDIENTS

8	tablespoons (1 stick) good-quality unsalted butter, room temperature	2	slices bacon, diced and cooked (about 2 tablespoons bacon crumbles)
		2	teaspoons pure maple syrup

---

## INSTRUCTIONS

1. Insert the universal blade in the work bowl of the Cuisinart® 7-Cup Food Processor. Put the butter in the work bowl. Pulse to soften, and then add the remaining ingredients. Pulse to combine, stopping to scrape down the bowl as necessary, then process for 5 seconds to fully combine.
2. Transfer to a piece of parchment paper. Form into a log, wrap well in the parchment, then cover tightly with plastic wrap. Chill until firm.

**Nutritional information per serving (1 tablespoon):**

Calories 71 (38% from fat) • carb. 2g • pro. 2g • fat 3g • sat. fat 0g • chol. 0mg • sod. 159mg • calc. 35mg • fiber 0g

---

# Vegetable Cream Cheese

Vibrant with color and texture, this spread isn't just for schmearing on your morning bagel – serve with crackers, in sandwiches, or even as a topping for a baked potato.

**Yield:** about 1½ cups

---

½	medium carrot, peeled and cut into ½-inch pieces	8	ounces plain cream cheese (1 standard package), room temperature and cut into 8 pieces
½	small red bell pepper, cut into ½-inch pieces	½ to 1	teaspoon fresh lemon juice
1	scallion, cut into ½-inch pieces	½	teaspoon kosher salt
1	tablespoon fresh Italian parsley leaves, stems discarded		

---

## INSTRUCTIONS

1. Insert the universal blade in the work bowl of the Cuisinart® 7-Cup Food Processor. Add the carrot, red pepper, scallion, and parsley, and pulse 5 to 6 times to chop. Add the cream cheese, lemon juice to taste, and salt, and pulse 10 to 12 times, until the ingredients are fully incorporated and the cream cheese is smooth. Scrape down the sides of the bowl every few pulses as needed. Store in an airtight container in the refrigerator.

**Nutritional information per serving (1 tablespoon):**

Calories 35 (85% from fat) • carb. 1g • pro. 1g • fat 3g • sat. fat 2g • chol. 10mg • sod. 79mg • calc. 1mg • fiber 0g

---

# Honey Nut Butter

The perfect addition to your smoothie, bagel, or oatmeal.

**Yield:** about 1 cup

---

## INGREDIENTS

1	cup raw almonds	2	tablespoons vegetable oil
½	teaspoon kosher salt; more as needed	4	teaspoons clover honey; more as needed

---

## INSTRUCTIONS

1. Preheat oven to 350°F. Spread the almonds on a baking sheet, and toast for 8 to 10 minutes until golden-brown and fragrant. Transfer the pan to a wire rack to cool completely.
2. Once cooled, put the almonds and salt in the work bowl of the Cuisinart® 7-Cup Food Processor fitted with the universal blade. Pulse 5 to 6 times to break up almonds. While the unit is running, slowly stream in the oil and honey. Process until the mixture is smooth.
3. Taste and adjust salt or sweetness as desired. Store in an airtight container in the refrigerator for up to two weeks.

**Nutritional information per serving (2 tablespoons):**

Calories 72 (72% from fat) • carb. 3g • pro. 2g • fat 6g • sat. fat 0g • chol. 0mg • sod. 73mg • calc. 24mg • fiber 1g

---

# Winter Squash Hummus

A great way to bring color to a snack board, this vibrant hummus has all traditional flavors that one would expect but with the sweet addition of winter squash.

**Yield:** 2¼ cups

---

## INGREDIENTS

1½	pounds winter squash, such as butternut or delicata	1	tablespoon tahini
¼	cup extra-virgin olive oil, plus more for drizzling	1½	tablespoons fresh lemon juice
½	teaspoon kosher salt		Pinch crushed red pepper flakes
2	garlic cloves, peeled and smashed		Pinch freshly ground black pepper
½	cup cooked chickpeas, rinsed and drained		Toasted pumpkin seeds for garnish (optional)
			Pita bread, for serving

---

## INSTRUCTIONS

1. Preheat the oven to 350°F with a rack in the middle position. Cut the squash in half and remove the seeds. Rub the flesh with 2 tablespoons of the olive oil and 2 generous pinches of the salt.
  2. Place the squash cut side down in a roasting pan, with 1 garlic clove under the cavity of each squash half. Roast until the squash is very soft, about 20 minutes for delicata or 45 minutes for butternut. Scoop out the flesh from the squash. Put the squash and garlic in the work bowl of the Cuisinart® 7-Cup Food Processor fitted with the universal blade. Add the chickpeas, tahini, remaining olive oil, lemon juice, remaining salt, black pepper, and pepper flakes. Process until smooth, about 2 minutes. Add up to ½ cup water while processing for a thinner hummus, if desired.
-

- Taste and adjust seasoning as desired.
- Transfer the hummus to a serving bowl or platter. Garnish with the pumpkin seeds, and serve the pita on the side. Store leftover hummus in an airtight container in the refrigerator for up to 1 week.

**Nutritional information per serving (¼ cup):**

Calories 102 (54% from fat) • carb. 11g • pro. 2g • fat 7g • sat. fat 1g • chol. 0mg • sod. 119mg • calc. 44 mg

## Salsa Fresca

This vibrant salsa comes together in seconds using the food processor.

**Yield:** about 1½ cups

### INGREDIENTS

1	small garlic clove, peeled	¼	cup fresh
1	small jalapeño pepper, seeded, cut into 1-inch pieces		cilantro leaves
1	scallion, trimmed, cut in 1-inch pieces	1	teaspoon fresh lime juice
1	pint grape tomatoes	½ to ¾	teaspoon kosher salt

### INSTRUCTIONS

- Insert the universal blade into the Cuisinart® 7-Cup Food Processor. With the unit running, drop the garlic and jalapeño through the feed tube to finely chop. Scrape the work bowl.
- Add the remaining ingredients and pulse to roughly chop, about 7 to 8 pulses.
- Strain any excess liquid before serving. Taste and adjust seasoning according to preference.

**Nutritional information per tablespoon:**

Calories 8 (9% from fat) • carb. 2g • pro. 0g • fat 0g • sat. fat 0g • chol. 0mg • sod. 170mg • calc. 4mg • fiber 0g

## Guasacaca

A zesty version of guacamole originating from Venezuela.

**Yield:** 2 cups

### INGREDIENTS

2	garlic cloves, peeled	1	tablespoon olive oil
3	tomatillos (about 7 to 8 ounces), quartered	½	cup fresh cilantro leaves
1	small jalapeño, halved and seeded	¼	cup fresh parsley leaves
1	small onion (about 2 to 3 ounces), cut into 2-inch pieces	1	ripe avocado, halved and pitted
1½	teaspoons kosher salt, divided	2	tablespoons fresh lime juice
		2	tablespoons white vinegar
		½	cup water

### INSTRUCTIONS

- Preheat oven to 400°F.
- Toss the garlic, tomatillos, jalapeño, and onion with the oil and ½ teaspoon of salt. Arrange evenly on a baking sheet and roast in preheated oven until vegetables have softened and developed a browned exterior, about 30 minutes. Once roasted, allow vegetables to cool to room temperature.

3. Once cool, insert the universal blade into the work bowl of the Cuisinart® 7-Cup Food Processor and add the roasted vegetables with the cilantro and parsley. Pulse until mixture is almost smooth.
4. Scrape the sides of the bowl and add the avocado, lime juice, vinegar, and remaining salt, then pulse 10 to 12 times, until the mixture is mostly smooth.
5. With the unit running, pour the water through the feed tube.
6. Adjust seasoning according to preference. Serve immediately.

**Nutritional information per serving (based on 2 tablespoons):**

Calories 52 (80% from fat) • carb. 2g • pro. 0g • fat 5g • sat. fat 3g • chol. 0mg • sod. 202mg • calc. 6mg • fiber 1g

## Layered Taco Dip

The food processor is the perfect tool to create this quintessential party dish. From processing to slicing to shredding, all the steps are taken care of with Cuisinart.

**Yield:** 6 servings

---

### INGREDIENTS

8	ounces (1 standard package) cream cheese, cut into 8 pieces and room temperature		a milder dip, the jalapeños can be halved and seeds removed)
1	can (16 ounces) refried beans	4	scallions, trimmed and halved
4	ounces Cheddar or Monterey Jack cheese, chilled	½	avocado, ripe but firm, pitted, peel removed, and in one large piece
1	cup grape tomatoes	½	cup Salsa Fresca (page 21)
½	cup pitted whole black olives	½	lime, for serving
2	jalapeños, stem trimmed (if wanting	2	tablespoons cilantro leaves, for serving
			Tortilla chips, for serving

---

### INSTRUCTIONS

1. Preheat oven to 400°F.
2. Insert the universal blade into the work bowl of the Cuisinart® 7-Cup Food Processor. Add the cream cheese, and then process until smooth. Transfer to a pie plate. Top with the refried beans.
3. Remove the universal blade and replace with the medium shredding disc. Shred the cheese. Evenly distribute over the beans and cream cheese. Put in the oven and bake until warmed through and the cheese is melted, about 8 minutes.
4. While the base of the dip is in the oven, prepare the toppings. Reverse the disc to the medium slicing disc. Slice the tomatoes, olives, jalapeños, scallions, and avocado.
5. When the dip base is ready, remove from the oven. Spoon the Salsa Fresca over the cheese, and then top with the sliced items. Squeeze the lime over top, and then garnish with the cilantro. Serve hot with tortilla chips.

**Nutritional information per serving (dip only):**

Calories 321 (63% from fat) • carb. 19g • pro. 12g • fat 23g • sat. fat 12g • chol. 61mg • sod. 794mg • calc. 210mg • fiber 6g

# Simple Tomato or Pizza Sauce

This sauce is quick and easy, and can be cooked down to a tasty pizza sauce in no time.

**Yield:** about 2½ cups Tomato Sauce or 2 cups Pizza Sauce

---

## INGREDIENTS

1	tablespoon olive oil	½	teaspoon kosher salt
4	garlic cloves, peeled	¼	teaspoon freshly ground black pepper
¾	teaspoon dried basil	1 to 2	tablespoons granulated sugar
½	teaspoon dried oregano	¼	teaspoon red pepper flakes (optional, for a spicier sauce)
2	tablespoons dry white wine (optional)		
1	can (28 ounces) whole plum tomatoes, with juices		

---

## INSTRUCTIONS

1. Put the olive oil in a large saucepan set over medium-low heat.
2. While the oil is heating, insert the universal blade into the work bowl of the Cuisinart® 7-Cup Food Processor. While the unit is running, drop the garlic through the feed tube, and process until finely chopped.
3. When the oil is hot, add the garlic, basil, and oregano to the pan. Sauté until the garlic is fragrant, about 1 minute. Add the wine, if using, and increase the heat to medium; cook until the wine is completely evaporated, 3 to 4 minutes.
4. While the wine is cooking, put the tomatoes into the work bowl and pulse 6 to 8 times to chop. Add the tomatoes, salt, and pepper to the pan.
5. Bring sauce to a boil and then reduce the heat to low. Stir in 1 tablespoon of the sugar, adding more to taste. Partially cover the pan, and simmer for about 30 minutes, until slightly reduced. To make pizza sauce, simmer for an additional 30 minutes.
6. After either sauce is ready, stir in the pepper flakes, if using. Taste and adjust seasoning as desired.

### Tomato Sauce

#### **Nutritional information per serving (¼ cup):**

Calories 38 (33% from fat) • carb. 5g • pro. 0g • fat 1g • sat. fat 0g • chol. 0mg • sod. 286mg • calc. 17mg • fiber 1g

### Pizza Sauce

#### **Nutritional information per serving (2 tablespoons):**

Calories 24 (33% from fat) • carb. 3g • pro. 0g • fat 1g • sat. fat 0g • chol. 0mg • sod. 179mg • calc. 11mg • fiber 0g

# Sun-Dried Tomato and Almond Pesto

Let the food processor do the work for you with this incredibly easy, flavorful sauce.

**Yield:** 2 cups

---

## INGREDIENTS

¾	cup almonds	1	tablespoon fresh oregano
1	ounce Parmesan cheese, cut into ½-inch cubes	1	tablespoon red wine vinegar
1	garlic clove, peeled	2	teaspoons fresh thyme
¼	cup sun-dried tomatoes, not packed in oil preferred	1	teaspoon kosher salt
¼	cup fresh parsley, packed	¼	teaspoon freshly ground black pepper
		1	cup olive oil

---

## INSTRUCTIONS

1. Preheat the oven to 350°F. Spread the almonds on a baking sheet, and toast until fragrant and lightly golden-brown, 8 to 10 minutes. Transfer the pan to a wire rack to cool completely.
2. Insert the universal blade into the work bowl of the Cuisinart® 7-Cup Food Processor. Add the almonds, cheese, and garlic, and process until roughly chopped, about 10 seconds. Add the tomatoes, parsley, oregano, vinegar, thyme, salt, and pepper; pulse 10 to 15 times to chop. While the unit is running, add the olive oil in a slow, steady stream through the feed tube, processing until combined and emulsified, about 1 minute. Scrape down the sides of the work bowl. For a thinner consistency, process with additional oil or water.
2. To store the pesto, transfer to a glass jar or airtight container; tap to remove air bubbles and even out the surface. The pesto will keep for 5 days in the refrigerator or may be frozen for up to 2 months.

### **Nutritional information per serving (1 tablespoon):**

*Calories 84 (90% from fat) • carb. 1g • pro. 1g • fat 9g • sat. fat 1g • chol. 1mg • sod. 97mg • calc. 21mg • fiber 0g*

# Basil Pesto

This is a slightly cheesier version of the standard pesto, but you can adjust the amount of cheese as desired.

**Yield:** 1¼ cups

---

## INGREDIENTS

2	ounces Parmesan or pecorino, cut into ½-inch cubes	3	cups tightly packed fresh basil leaves (about 3 ounces)
¼	cup pine nuts, lightly toasted	½	teaspoon kosher salt
1	garlic clove, peeled	½ to ⅔	cup extra-virgin olive oil

---



## INSTRUCTIONS

1. Insert the universal blade into the work bowl of the Cuisinart® 7-Cup Food Processor. Add the cheese, nuts, and garlic, and pulse about 10 times to roughly chop. Add the basil and salt, and pulse 10 to 15 times; scrape the bowl. While the unit is running, add the olive oil in a slow, steady stream through the feed tube, processing until combined and emulsified, about 1 minute. Scrape down the work bowl.
2. To store the pesto, transfer to a glass jar or airtight container. Tap to remove all air bubbles and even out the surface. Cover the surface directly with plastic wrap and refrigerate. The pesto will keep for 5 days in the refrigerator or may be frozen for up to 2 months.

### **Nutritional information per serving (1 tablespoon):**

Calories 72 (80% from fat) • carb. 0g • pro. 1g • fat 8g • sat. fat 1g • chol. 2mg • sod. 74mg • calc. 40mg • fiber 0g

## Aïoli

This garlicky mayo makes a great dipping sauce or sandwich spread.

**Yield:** 1 cup

---

## INGREDIENTS

2	garlic cloves, peeled	1	scant teaspoon Dijon mustard
4	large egg yolks	1	cup olive oil
1	tablespoon fresh lemon juice	$\frac{3}{4}$	cup vegetable or grapeseed oil

---

## INSTRUCTIONS

1. Insert the fine shredding disc into the work bowl of the Cuisinart® 7-Cup Food Processor. Shred the garlic.
2. Remove the shredding disc, scraping any accumulated garlic from underneath and adding it to the work bowl. Replace with the universal blade. Add the egg yolks, lemon juice and mustard to the work bowl.
3. While the unit is running, add the oils through the feed tube slowly, beginning drop by drop, until all the oil is incorporated and the mixture is completely emulsified. Store in an airtight container in the refrigerator for up to 4 days (note that the garlic will become more pronounced the longer it is stored).

### **Nutritional information per serving (based on 1 tablespoon):**

Calories 225 (98% from fat) • carb. 0g • pro. 1g • fat 26g • sat. fat 3g • chol. 46mg • sod. 10mg • calc. 6mg • fiber 0g

## Greek Vinaigrette

While this dressing is perfect for our simple Greek Salad (page 29), it can be used on just about any green salad, or even as a marinade for chicken or fish.

**Yield:** about  $\frac{2}{3}$  cup

---

## INGREDIENTS

1	garlic clove, peeled	$\frac{1}{2}$	teaspoon Dijon mustard
2	tablespoons red wine vinegar	1	teaspoon kosher salt
2	tablespoons fresh lemon juice	$\frac{1}{2}$	teaspoon freshly ground black pepper
$\frac{1}{2}$	cup extra-virgin olive oil	$\frac{1}{2}$	tablespoon fresh oregano

---

## INSTRUCTIONS

1. Insert the universal blade in the work bowl of the Cuisinart® 7-Cup Food Processor. With the unit running, drop the garlic through the feed tube and process until finely chopped. Add the vinegar, lemon juice, Dijon, salt, and pepper and process to combine.
2. With unit running, pour the olive oil through the drizzle hole in the pusher until the dressing is emulsified, 1½ to 2 minutes. Add the oregano and pulse a few times to combine.

### **Nutritional information per serving (1 tablespoon):**

Calories 98 (97% from fat) • carb. 1g • pro. 0g • fat 11g • sat. fat 1g • chol. 0mg • sod. 235mg • calc. 5mg • fiber 0g

## Caesar Dressing

There are many versions of this recipe, but ours is close to the classic. If you would prefer not to use raw egg yolks, use an egg substitute.

**Yield:** about 1 cup

---

## INGREDIENTS

2	garlic cloves, peeled	4	teaspoons red wine vinegar
6	anchovy fillets	2	teaspoons Worcestershire sauce
2	large egg yolks	½	teaspoon freshly ground black pepper
2	teaspoons Dijon mustard	⅔	cup extra-virgin olive oil
4	teaspoons fresh lemon juice		

---

## INSTRUCTIONS

1. Insert the universal blade in the work bowl of the Cuisinart® 7-Cup Food Processor. While the unit is running, drop the garlic down the feed tube and process until finely chopped. Add the anchovies, egg yolks, mustard, lemon juice, vinegar, Worcestershire, and pepper to the work bowl. Process until well blended.
2. With the unit running, on again, slowly pour the olive oil through the drizzle hole in the pusher until the dressing is emulsified, about 30 seconds.

### **Nutritional information per serving (1 tablespoon):**

Calories 91 (95% from fat) • carb. 1g • pro. 1g • fat 10g • sat. fat 2g • chol. 24mg • sod. 60mg • calc. 4mg • fiber 0g

## Vegan Caesar Dressing

A healthier, vegan-friendly alternative to traditional Caesar dressing, this recipe omits the egg yolks and anchovies and achieves creaminess from soaked cashews and umami flavor from soy sauce.

**Yield:** about ¾ cup

---

## INGREDIENTS

½	cup raw cashews, soaked overnight in cold water	1	garlic clove, peeled
		2	teaspoons capers
¼	cup water, plus more as needed	½	teaspoon freshly ground black pepper
1	tablespoon fresh lemon juice		Pinch kosher salt, plus more to taste
1½	teaspoons Dijon mustard	2	tablespoons extra-virgin olive oil
2	teaspoons reduced-sodium soy sauce		

---

## INSTRUCTIONS

1. Insert the universal blade in the work bowl of the Cuisinart® 7-Cup Food Processor.
2. Drain and rinse the cashews. Put all ingredients except the olive oil in the work bowl and process to combine. While the unit is running, gradually add the oil through the drizzle hole in the food pusher. Once the oil is fully incorporated, process for an additional minute, or until very smooth.
3. If the dressing is too thick, add water, 1 tablespoon at a time, and continue to process.
4. Taste and add salt, if desired.

### **Nutritional information per serving (2 tablespoons):**

Calories 64 (62% from fat) • carb. 5g • pro. 2g • fat 5g • sat. fat 1g • chol. 0mg • sod. 1780mg • calc. 48mg • fiber 2g

## Gazpacho

This bright, vibrant soup is perfect all summer long.

**Yield:** 3½ cups

---

## INGREDIENTS

1	garlic clove, peeled	¼	red bell pepper, cut into 1-inch pieces
1	jalapeño, seeded and cut into 1-inch pieces	¼	cup fresh Italian parsley, stems discarded
2	medium vine-ripe tomatoes, cored and cut into 1-inch pieces	1	teaspoon kosher salt
½	medium to large cucumber (about 3 ounces), cut into 1-inch pieces	¼	teaspoon freshly ground black pepper
2	scallions, trimmed and cut into 1-inch pieces	1	teaspoon red wine vinegar
¼	yellow bell pepper, cut into 1-inch pieces	1	teaspoon fresh lime juice
		3	dashes hot sauce
		1½	cups low-sodium vegetable juice

---

## INSTRUCTIONS

1. Insert the universal blade into the work bowl of the Cuisinart® 7-Cup Food Processor. While the unit is running, drop the garlic and jalapeño down the feed tube to chop. Stop to scrape down the sides of the work bowl, and add the tomatoes, cucumber, scallions, bell peppers, and parsley. Pulse 5 to 6 times to roughly chop.
2. Add the salt, pepper, vinegar, lime juice, hot sauce, and vegetable juice, and pulse another 6 to 7 times to incorporate. Taste and adjust seasoning as desired. Serve.

### **Nutritional information per serving (½ cup):**

Calories 24 (5% from fat) • carb. 5g • pro. 1g • fat 0g • sat. fat 0g • chol. 0mg • sod. 362mg • calc. 18mg • fiber 1g

# Loaded Sweet Potato Soup

Time to get warm and cozy—the perfect rainy-day soup!

**Yield:** about 5 cups

---

## INGREDIENTS

3	ounces white Cheddar cheese	1½	cups low-sodium chicken or vegetable broth
2	tablespoons unsalted butter		
1	garlic clove, peeled	¼	teaspoon ground cinnamon
1	½-inch piece fresh ginger, peeled		Pinch cayenne
½	leek, trimmed and cut into 2-inch pieces	¼ to ½	cup heavy cream
½	teaspoon kosher salt, divided	¼	cup sour cream or plain Greek yogurt
	Pinch freshly ground black pepper	¼	cup chopped cooked bacon
1	medium sweet potato (about 8 ounces), peeled and cut to fit the feed tube (reserve in cold water if not using immediately)	3	tablespoons sliced scallion

---

## INSTRUCTIONS

1. Insert the fine shredding disc in the Cuisinart® 7-Cup Food Processor. Shred the Cheddar; remove, and reserve.
2. Put the butter in a medium pot set over low heat.
3. While the butter is melting, prepare the vegetables. Insert the universal blade in the work bowl. While the unit is running, drop add the garlic and ginger through the feed tube and process to finely chop, 10 to 15 seconds. Add the leek and pulse 8 to 10 times until finely chopped. Add the vegetables to the pot with a pinch each of the salt and pepper. Sauté on low until softened but not browning, about 8 minutes.
4. While the vegetables are cooking, prepare the potato. Remove the universal blade and insert the medium slicing disc. Slice the potato. Add to the softened vegetables in the pot and stir to combine. Add the broth, cinnamon, and cayenne, and raise the heat to bring the mixture to a boil. Once boiling, reduce heat to maintain a simmer. Cook until the potato slices are tender, about 15 minutes.
5. Reinsert the universal blade into the work bowl and, using a slotted spoon, transfer the soup solids to the work bowl and transfer the broth to a measuring cup to make it easier to add to the food processor while puréeing. Process while slowly adding the hot broth through the feed tube. Add ¼ cup of the heavy cream and process until smooth, about 2 minutes. If a thinner soup is desired, add the remaining ¼ cup of heavy cream.
6. Serve immediately garnished with the Cheddar, sour cream or yogurt, bacon, and scallion divided evenly among each portion.

### **Nutritional information per serving (1 cup):**

Calories 284 (68% from fat) • carb. 17g • pro. 4g • fat 21g • sat. fat 14g • chol. 70mg • sod. 726mg • calc. 68mg • fiber 2g

# Greek Salad

Reminiscent of the pizza shop staple, the salad consists of all sliced ingredients, but can be served over chopped or sliced romaine lettuce if desired.

**Yield:** about 5 cups

---

## INGREDIENTS

1	cucumber, halved and trimmed to fit the feed tube	¼	red onion, trimmed, halved, and cut to fit the feed tube
1	bell pepper, seeded and cut into four planks	½	cup pitted kalamata olives
1	cup cherry tomatoes	4	ounces feta, well drained Greek Vinaigrette, pages 25-26, for serving

---

## INSTRUCTIONS

1. Insert the medium slicing disc into the work bowl of the Cuisinart® 7-Cup Food Processor. Slice the vegetables, transferring to a serving bowl as needed. Slice the olives and then the feta, and then transfer to the serving bowl with the vegetables.
2. Serve immediately with the dressing.

**Nutritional information per serving (1 cup, without dressing):**

Calories 204 (33% from fat) • carb. 31g • pro. 6g • fat 8g • sat. fat 3g • chol. 20mg • sod. 453mg • calc. 172mg • fiber 4g

# Spicy Slaw

This slaw works as a zesty companion for taco night, but we also love it as a side for any barbecue!

**Yield:** about 2 cups

---

## INGREDIENTS

½	small jalapeño, seeded	2	ounces radishes
¼	cup fresh cilantro leaves	3	ounces (about ¼ small head) red cabbage, cut to fit the feed tube
1	tablespoon fresh lime juice	3	ounces (about ¼ small head) green cabbage, cut to fit the feed tube
2	teaspoons vegetable oil		
¼	teaspoon kosher salt		
¼	teaspoon freshly ground black pepper		

---

## INSTRUCTIONS

1. Insert the universal blade in the work bowl of the Cuisinart® 7-Cup Food Processor. While the unit is running, drop the jalapeño through the feed tube to finely chop. Scrape the bowl and add the cilantro, pulsing until roughly chopped. Scrape the bowl. Add the lime juice, oil, salt, and pepper, and pulse again to combine.
2. Remove the universal blade and replace with the fine shredding disc. Shred the radishes.
3. Reverse the disc so that the fine slicing disc is facing up. Slice both cabbages.
4. Transfer to a large mixing bowl, and toss to combine. Taste and adjust seasoning according to preference.

**Nutritional information per serving (based on ¼ cup serving):**

Calories 7 (4% from fat) • carb. 2g • pro. 0g • fat 0g • sat. fat 0g • chol. 0mg • sod. 74mg • calc. 11mg • fiber 1g

---

# Sliced Brussels Sprouts Caesar Salad

The different textures in this salad—crunchy Brussels sprouts and croutons, soft cheese, and creamy dressing—will have you reaching for seconds and thirds.

**Yield:** 6 cups

---

## INGREDIENTS

### Croutons

- 1     tablespoon extra-virgin olive oil
- 1     garlic clove, smashed
- ¼    teaspoon kosher salt
- 4     ounces crusty bread (Italian or French, for example), cut into ½-inch cubes (4½ cups cubed)

### Salad

- 1     pound Brussels sprouts, loose leaves removed and stems trimmed (if desired, reserve some of the outer leaves to pan-fry to serve on top of the salad – this adds some extra texture and color to the salad)
  - 2     ounces parmesan
  - ½ to 1 cup Caesar Dressing (page 26)
- 

## INSTRUCTIONS

1. Heat the oven to 350°F. Line a baking sheet with aluminum foil. Prepare the croutons by first combining the oil, garlic, and salt in a medium mixing bowl. Add the bread cubes and toss to fully coat with the oil, being sure to smash the garlic a bit more while tossing. Transfer to the prepared pan and bake until golden brown, 10 to 12 minutes, tossing halfway through baking. Transfer the pan to a wire rack. Discard the garlic.
2. Insert the fine slicing disc in the work bowl of the Cuisinart® 7-Cup Food Processor. Slice the Brussels sprouts. Transfer to a large mixing bowl and reserve.
3. Slice the Parmesan. Add to the Brussels sprouts.
4. If preparing the pan-fried leaves, put 1 tablespoon of olive oil into a medium skillet set over medium-high heat. Once the oil is hot, add the leaves with a pinch of salt and pepper. Pan-fry until the edges of the leaves are browned and crispy, but the leaves are bright green in the middle reserve.
5. Toss the Brussels sprouts and Parmesan with the croutons and ½ cup Caesar dressing. Top with the pan-fried leaves, if using, and serve immediately with additional dressing on the side.

### **Nutritional information per serving (½ cup):**

Calories 133 (63% from fat) • carb. 9g • pro. 4g • fat 1g • sat. fat 2g • chol. 19mg • sod. 242mg • calc. 77mg • fiber 2g

# Quick-Pickled Veggies

Use these to top salads, sandwiches, or just to munch on as a snack. Since they are not canned pickles that are shelf stable, be aware that these must be stored in the refrigerator for up to 2 weeks.

**Yield:** about 2 quarts

---

## INGREDIENTS

8	ounces (½ medium) seedless cucumber, English or Persian, unpeeled	4	ounces (¼ small head) cauliflower, broken into small florets
4	ounces (½ bulb) fennel, core removed	3	cups water
4	ounces (½ medium) red bell pepper, trimmed and cored	1	cup distilled white vinegar
4	ounces (½ medium) yellow bell pepper, trimmed and cored	2	garlic cloves, peeled
2	ounces radishes, trimmed	2	tablespoons granulated sugar
2	ounces (1 stalk) celery, cut into 2-inch pieces	2	teaspoons kosher salt
		½	teaspoon peppercorns
		½	teaspoon dill seed

---

## INSTRUCTIONS

1. Insert the medium slicing disc into the work bowl of the Cuisinart® 7-Cup Food Processor. Slice the cucumber, fennel, peppers, and radishes. Slice the celery, stacking the pieces horizontally in the feed tube. Toss the sliced vegetables and cauliflower in a stainless mixing bowl until evenly combined.
2. Prepare brine: In a small saucepan, combine the water, vinegar, garlic, sugar, salt, peppercorns, and dill seed. Bring to a boil.
3. Divide the vegetables between two 1-quart containers with airtight lids. Once brine has come to a boil, pour it evenly over the vegetables to cover. Put the lids on the containers, and then refrigerate for 24 to 48 hours before serving.

**Nutritional information per serving (based on ¼ cup):**

Calories 8 (8% from fat) • carb. 2g • pro. 0g • fat 0g • sat. fat 0g • chol. 0mg • sod. 81mg • calc. 8mg • fiber 1g

# Potato-Zucchini-Carrot Cakes

A twist on the traditional potato latke.

**Yield:** 10 to 12, 2½-inch cakes

---

## INGREDIENTS

1	tablespoon fresh Italian parsley, stems discarded	2	tablespoons unbleached all-purpose flour or matzo meal
1	medium russet potato, peeled and cut to fit the feed tube	¾	teaspoon kosher salt
1	small zucchini, trimmed and cut to fit the feed tube	¼	teaspoon freshly ground black pepper
1	small to medium carrot, trimmed, peeled, and cut to fit the feed tube	1	large egg, lightly beaten
1	small onion, trimmed and cut to fit the feed tube	2	tablespoons vegetable oil, plus more as needed
			Applesauce and sour cream for serving

---

## INSTRUCTIONS

1. Insert the universal blade into the work bowl of the Cuisinart® 7-Cup Food Processor. Add the parsley and finely chop, using 5 to 6 long pulses. Leaving the parsley in the bowl, remove the chopping blade and replace with the medium shredding disc. Laying the vegetables horizontally in the feed tube (trim to fit as needed), shred the potato, zucchini, carrot, and onion. Wrap the vegetables in a clean kitchen towel, and wring over a bowl or the sink to squeeze out excess liquid.
2. Transfer the vegetables to a medium-size bowl. Add the flour, salt, and pepper, and gently mix to fully combine. Gradually add enough of the egg to form a mixture that just holds together (you may not need all of the egg). You do not want the mixture to be too wet or the final cakes will be dense.
3. Put the oil in large nonstick skillet over medium-high heat. Using a heaping tablespoon per cake, drop the batter into the pan. Use the back of the spoon to flatten out the cakes into 2½-inch rounds. Cook the cakes in batches, no more than 4 at a time, about 1½ to 2 minutes per side or until crisp and browned. Repeat, adding oil as needed until all cakes are cooked. Keep finished cakes warm on rack set over a baking sheet in a 200°F oven.
4. Serve warm with applesauce and sour cream.

### **Nutritional information per pancake (based on 12):**

Calories 48 (48% from fat) • carb. 5g • pro. 1g • fat 3g • sat. fat 0g • chol. 12mg • sod. 105mg • calc. 9mg • fiber 1g



# Cauliflower Fried Rice

This fun and tasty side dish is also low in carbs.

**Yield:** about 6 cups

---

## INGREDIENTS

3	garlic cloves, peeled	1	small red pepper, cut into 1-inch-wide planks
1	small jalapeño, seeded and cut into 1-inch pieces	2	tablespoons vegetable oil, divided
1	1-inch piece fresh ginger, peeled	½	teaspoon kosher salt
1	small onion, cut into 1-inch pieces	¼	teaspoon ground turmeric
1	medium cauliflower head (about 1 pound), cut into about 6 cups of florets		Cilantro leaves and roasted peanuts, for garnish

---

## INSTRUCTIONS

1. Insert the universal blade in the work bowl of the Cuisinart® 7-Cup Food Processor. While the unit is running, drop the garlic, jalapeño, and ginger down the feed tube to finely chop, scraping bowl if necessary. Remove and reserve.
2. Add the onion to the work bowl and pulse 8 to 10 times. Reserve with the garlic mixture.
3. Add half of the cauliflower florets to the work bowl. Using 10 to 12 long pulses, chop until the cauliflower is cut into rice-size pieces. Remove and reserve on a paper towel-lined baking sheet. Repeat with the remaining cauliflower. Cover with paper towels and press to remove any excess moisture. (An optional step is to further dry cauliflower in a 200°F oven for 15 minutes.)
4. Replace the universal blade with the medium slicing disc. Line the red pepper planks vertically in the feed tube. Slice and reserve with the garlic mixture.
5. Put 1 tablespoon of the oil in a large skillet or sauté pan, and place over medium heat. Once the oil is hot and shimmers across the pan, add the garlic-vegetable mixture. Cook, stirring frequently, until soft and fragrant, about 5 minutes. Once fragrant, stir in the salt and turmeric.
6. Add the remaining oil. Once hot, add the cauliflower. Stir together. Cover and cook until the cauliflower is tender, 5 to 10 minutes.
7. Remove the cover and continue cooking. Occasionally stir to scrape up any brown bits on the bottom of the pan; this adds to the crunch of the dish.
8. Taste and adjust seasoning according to preference. Garnish with the cilantro and peanuts, and serve immediately.

### **Nutritional information per ½ cup serving:**

Calories 68 (60% from fat) • carb. 6g • pro. 2g • fat 5g • sat. fat 1g • chol. 0mg • sod. 221mg • calc. 22mg • fiber 2g

# Hawaiian Pizza

The sweet and salty combination of pineapple and chorizo make this play on the Hawaiian pizza one that even the naysayers out there can't resist. Extra chorizo can be wrapped well and frozen for up to 6 months.

**Yield:** one 12-inch pizza (8 servings)

---

## INGREDIENTS

1	recipe pizza dough (page 45), room temperature preferably for 2 to 4 hours	3	tablespoons pizza sauce (store bought or the recipe on page 23)
	Semolina or all-purpose flour, for dusting		*Note: Cooked chorizo links are available in the meat section of grocery stores. Cured chorizo can be substituted, but the flavor isn't as strong.
2	ounces whole milk, low moisture mozzarella, chilled		
½	spear fresh pineapple (about ⅛ of a small to medium pineapple), patted dry		
½	link cooked chorizo*		

---

## INSTRUCTIONS

1. Preheat oven to 450°F with a metal baking pan or pizza stone in the lower third of the oven for at least 30 minutes. Dust a pizza peel or parchment paper with semolina or all-purpose flour.
2. While the oven and baking surface are preheating, stretch the pizza dough to a 12-inch round and place on the peel or parchment. Cover and reserve.
3. Insert the medium shredding disc in the Cuisinart® 7-Cup Food Processor. Shred the mozzarella. Remove and reserve.
4. Remove the shredding disc and replace with the fine slicing disc. Slice the pineapple. Remove and dry well. Slice the chorizo with the fine slicing disc.
5. Once the oven and baking surface are preheated fully, top the pizza dough with the sauce, then sprinkle the cheese over top. Finish with the pineapple and chorizo.
6. Transfer to the hot baking pan or stone. Bake until the crust is nicely browned and the cheese is bubbly.
7. Transfer to a large cutting board. Let cool for a few minutes before slicing and serving.

### **Nutritional information per serving:**

Calories 107 (39% from fat) • carb. 12g • pro. 4g • fat 5g • sat. fat 2g • chol. 8mg • sod. 253mg • calc. 41mg • fiber 1g

# Margherita Pizza

This pizza is perfect in summer, when fresh tomatoes and basil are abundant.

**Yield:** one 12-inch pizza (8 servings)

---

## INGREDIENTS

1	recipe Pizza Dough (page 45)	4 to 6	ounces fresh mozzarella, torn into bite size pieces
1	ounce Parmigiano Reggiano, cut into ½-inch cubes	8 to 10	medium to large fresh basil leaves, thinly sliced
2 to 3	plum tomatoes (ripe, but still firm)	2	tablespoons extra-virgin olive oil
	Unbleached all-purpose flour, as needed		Pinch kosher salt
	Cornmeal, for sprinkling		

---

## INSTRUCTIONS

1. Prepare the pizza dough and allow to rise. Preheat oven to 500°F with rack in the middle of the oven. If using a baking stone, place it on the rack and allow to heat for an additional 30 minutes after the oven has preheated.
2. While the oven is heating, insert the universal blade into the work bowl of the Cuisinart® 7-Cup Food Processor. While the unit is running, drop the Parmigiano cubes through the feed tube and process until finely grated. Remove and reserve.
3. Remove the universal blade and insert the medium slicing disc. Slice the tomatoes.
4. On a lightly floured work surface, stretch the dough into a 12-inch round. Place on a baker's peel or the underside of a baking sheet that has been sprinkled with cornmeal (or you can stretch the dough onto a greased pizza mesh/screen, or alternatively bake on a parchment-lined baking sheet). Brush the dough with the olive oil and then sprinkle with both of the cheeses. Arrange the sliced tomatoes over the cheese.
5. Carefully slide the pizza into the oven (whether onto the stone, or onto a baking sheet or directly onto the rack if using a pizza screen). Bake the pizza for 10 to 15 minutes, or until the cheese is bubbly and the dough is nicely browned at the edges.
6. Remove pizza and sprinkle with the fresh basil and pinch of salt.

### **Nutritional information per serving:**

Calories 184 (40% from fat) • carb. 20g • pro. 7g • fat 8g • sat. fat 3g • chol. 14mg • sod. 390mg • calc. 96mg • fiber 1g

# Vegetable Stir-Fry

A quick and simple stir-fry. To make it a bit heartier, add cooked chicken, beef, or cubed tofu.

**Yield:** 5 cups

---

## INGREDIENTS

1	garlic clove, peeled	½	cup edamame, shelled
1	½-inch piece fresh ginger, peeled	2	tablespoons soy sauce
2	small zucchini	2	teaspoons seasoned rice vinegar
1	small eggplant	1	tablespoon cornstarch
1	medium carrot, peeled	2	teaspoons toasted sesame oil
6	mini sweet peppers, multicolor	1	tablespoon toasted sesame seeds
8	ounces cremini mushrooms		White rice, for serving
1	tablespoon vegetable oil		

---

## INSTRUCTIONS

1. Insert the universal blade into the work bowl of the Cuisinart® 7-Cup Food Processor. While the unit is running, drop the garlic and ginger through the feed tube and process to finely chop, 10 to 15 seconds. Remove and reserve.
2. Replace the universal blade with the medium slicing disc. Slice the zucchini, eggplant, carrot, sweet peppers, and mushrooms. Reserve.
3. Put the oil into a large skillet over medium heat. Once the oil is hot, add the garlic and ginger. Sauté until softened and very fragrant, about 2 minutes. Add half of the sliced vegetables. Sauté for 3 to 5 minutes, and then add the remaining sliced vegetables. Sauté until softened, about 5 more minutes. Add the edamame and cook for a few more minutes.
4. While the vegetables are cooking, stir together the soy sauce, vinegar, and cornstarch. Add the soy sauce mixture to the pan. Stir and cook until slightly thickened and the sauce coats the vegetables.
5. Stir in the sesame oil and sesame seeds. Taste and adjust seasonings as desired. Serve immediately with white rice.

**Nutritional information per serving (based on ½ cup serving):**

Calories 67 (44% from fat) • carb. 8g • pro. 3g • fat 4g • sat. fat 0g • chol. 0mg • sod. 213mg • calc. 19mg • fiber 3g

# Mushroom Bolognese

A vegan option for a hearty pasta sauce.

**Yield:** about 4 cups

---

## INGREDIENTS

4	garlic cloves, peeled	¼	teaspoon kosher salt
3	shallots (about 3 ounces), cut into 1-inch pieces	¼	teaspoon freshly ground black pepper
1	medium carrot (about 2½ ounces), cut into 1-inch pieces	8	ounces cremini mushrooms, wiped
1	medium celery stalk (about 2 ounces), cut into 1-inch pieces	1	28-ounce can whole peeled tomatoes
1	tablespoon olive oil	¼	cup white wine
		1	tablespoon tomato paste
		2	teaspoons soy sauce
		5	large basil leaves

---

## INSTRUCTIONS

1. Insert the universal blade into the work bowl of the Cuisinart® 7-Cup Food Processor. While the unit is running, drop the garlic down the feed tube to finely chop. Scrape the bowl and add the shallots, carrot, and celery to the work bowl. Pulse about 10 times to evenly chop.
2. Put the olive oil into a 6-quart pot or stovetop casserole, and place over medium to medium-low heat. Once the oil is hot and shimmers across the pot, add the chopped vegetables, salt, and pepper. Reduce the heat to low, and cook until vegetables are soft and fragrant, 5 to 8 minutes.
3. While vegetables are cooking, add half of the mushrooms to the work bowl. Pulse 8 to 10 times to roughly chop. Reserve in a small mixing bowl. Repeat with the remaining mushrooms. Use your fingers to break up any large mushroom chunks. Varying sizes give the final sauce nice texture.
4. Add the mushrooms to the pot and stir over low heat until the mushrooms have cooked down and their moisture starts to coat the bottom of the pot. While the mushrooms are cooking, add the tomatoes to the work bowl. Pulse to roughly chop.
5. When the mushrooms are cooked down, add the wine, scraping up any browned bits from the bottom of the pot. Once the wine is just about fully evaporated, stir in the tomato paste and then the chopped tomatoes and soy sauce.
6. Bring to a boil, and then reduce to a simmer. Simmer for 45 minutes. Taste and adjust seasoning according to preference. Before serving, tear the basil leaves into pieces and stir into the warm sauce.

**Nutritional information per serving (based on ½ cup serving):**

Calories 65 (24% from fat) • carb. 9g • pro. 2g • fat 2g • sat. fat 0g • chol. 0mg • sod. 388mg • calc. 36mg • fiber 2g

# Chicken Pot Pie

This hearty meal comes together quicker than you may think.

**Yield:** about 8 servings

---

## INGREDIENTS

4	tablespoons (½ stick) unsalted butter	1	medium sweet potato (about 8 to 10 ounces), peeled and cubed
2	celery stalks, cut into 2-inch pieces		
2	medium carrots, peeled and cut into 2-inch pieces	2	medium Yukon Gold potatoes (about 1 pound), peeled and cubed
1	medium to large onion, trimmed and cut into 1-inch pieces	4	cups chopped cooked chicken (from one 4- to 5-pound rotisserie chicken or other cooked chicken)
1½	teaspoons kosher salt, divided		
¾	teaspoon freshly ground black pepper, divided	¼	cup fresh parsley leaves, finely chopped (this can be done ahead of time in the food processor using the chopping blade)
1	teaspoon fresh thyme		
½	cup dry white wine	1	cup pearl onions, halved if large, thawed if frozen
¼	cup unbleached, all-purpose flour		
3	cups low-sodium chicken broth; more as needed	¾	cup frozen peas, thawed
		1	recipe unbaked Buttermilk Drop Biscuits (page 47)

---

## INSTRUCTIONS

1. Preheat the oven to 375°F with the rack in the middle position.
2. Put the butter in a medium-size stockpot over medium-low heat.
3. While butter is melting, prepare the vegetables. Insert the universal blade into the work bowl of the Cuisinart 7-Cup Food Processor. Add the onion and pulse 5 to 6 times to chop.
4. Leaving the chopped onion in the work bowl, remove the universal blade and insert the medium slicing disc. Put the carrot and celery together in the feed tube and slice.
5. Once the butter is hot, add the celery, carrot, onion, a pinch each of the salt and pepper, and the thyme. Sauté until softened, 5 to 6 minutes. Add the wine and reduce by about half, another 3 minutes.
6. Stir in the flour and cook 2 to 3 minutes to absorb the liquid. Gradually stir in the chicken broth, about ¼ cup at a time, until all the broth has been added. Increase the heat and bring the mixture to a high simmer. Once the mixture is simmering, add the potatoes, chicken, pearl onions, and remaining salt and pepper. Simmer for about 10 minutes, adding more broth if the potatoes are not fully submerged. Stir in the peas and parsley, and then remove from heat.
7. While filling is cooking prepare the biscuit dough.
8. Pour the filling into a 13x9-inch baking pan. Use a small scoop or spoon to dollop the biscuit dough over the filling.
9. Put the pan into the oven and bake until the dough is golden-brown and the chicken mixture is bubbling, about 35 to 40 minutes.
10. Remove from the oven. Cool slightly before serving.

### **Nutritional information per serving:**

Calories 514 (31% from fat) • carb. 46g • pro. 38g • fat 18g • sat. fat 10g • chol. 125mg • sod. 721mg calc. 112mg • fiber 4g

---

# Cilantro-Lime Chicken

This Latin-flavored chicken is a truly multifunctional dish and is great in tacos, salads, and rice bowls. The possibilities are endless!

**Yield:** 6 to 8 servings

---

## INGREDIENTS

1	garlic clove, peeled	1	teaspoon plus pinch kosher salt, divided
1	jalapeño, seeded and cut into 1-inch pieces	⅓	teaspoon chile powder
1	scallion, trimmed and cut into 1-inch pieces	½	cup olive oil
1	cup fresh cilantro leaves	3	pounds boneless, skinless chicken thighs, trimmed of visible fat
2	teaspoons grated lime zest		

---

## INSTRUCTIONS

1. Insert the universal blade in the work bowl of the Cuisinart® 7-Cup Food Processor. While the unit is running, drop the garlic, jalapeño, and scallion through the feed tube to finely chop.
2. Scrape the sides of the bowl and add the cilantro, lime zest, 1 teaspoon salt, and chile powder. Pulse until roughly chopped. Scrape the sides. With the machine running, pour the olive oil through the feed tube and continue to process until mixture is homogenous.
3. Put the chicken in a nonreactive mixing bowl and add the marinade, tossing so that the chicken is evenly coated. Refrigerate for at least 1 hour and up to overnight.
4. When ready to cook, preheat a grill (indoor or outdoor). Sprinkle the chicken lightly with small pinch of salt and cook the chicken, flipping once, until the internal temperature reads 170°F, 10 to 15 minutes per side. Alternatively, the chicken can be cooked in an airfryer or oven at 400°F until fully cooked.

### **Nutritional information per serving (based on 8 servings):**

Calories 325 (58% from fat) • carb. 1g • pro. 34g • fat 21g • sat. fat 34g • chol. 141mg • sod. 417mg • calc. 23mg • fiber 0g

# Pasta Primavera

Fresh garden vegetables shine in this easy-to-make light, bright pasta dish for a spring or summer meal. We recommend linguine, but any pasta works here.

**Yield:** 8 to 10 servings

---

## INGREDIENTS

2	ounces Parmigiano-Reggiano	1	pound pasta
2	garlic cloves, peeled	1	teaspoon kosher salt, divided; more as needed
1	small shallot, trimmed		
2	medium bell peppers (yellow, red, or orange), halved with core removed and cut to fit the feed tube	1	tablespoon olive oil
		½	teaspoon freshly ground black pepper, divided
2	small carrots, peeled and cut to fit the feed tube horizontally	½	cup frozen peas, thawed
			Zest and juice of 1 small lemon
1	small zucchini, cut to fit the feed tube horizontally	¼	cup thinly sliced fresh basil
		½	cup breadcrumbs (page 44) +
1	small yellow squash, cut to fit the feed tube horizontally		1 tablespoon butter, for topping* (optional)

---

## INSTRUCTIONS

1. Insert the fine shredding disc in the work bowl of the Cuisinart® 7-Cup Food Processor. Shred the Parmesan. Remove and reserve. Wipe out the work bowl.
2. Replace the shredding disc with the universal blade. With the machine running, drop the garlic through the feed tube to finely chop. Scrape the bowl.
3. Replace the universal blade with the medium slicing disc. Slice the shallot, and then slice the peppers by placing them in the feed tube vertically. Remove and reserve together.
4. Slice the carrots and then the zucchini and yellow squash horizontally in the feed tube. Reserve separately.
5. In a large pot, cook pasta according to package directions in salted water to al dente. When the pasta is almost done, remove 2 cups of the water, and then drain the pasta. Reserve, covered, in the colander set inside the cooking pot.
6. While pasta is cooking, put the olive oil into a large sauté pan over medium heat. Once the oil is hot and shimmers across the pan, add the garlic, shallot, and peppers with a pinch each of the salt and pepper. Sauté until fragrant and soft, 3 to 5 minutes.
7. Add the carrots, zucchini, and yellow squash with a pinch each of the salt and pepper. Cook until softened, about 5 more minutes.
8. Add the pasta to the vegetables with the peas and the remaining salt and pepper, tossing together until evenly combined.
9. Stir in the reserved cooking water, ¼ cup at a time, until the pasta and vegetables have a creamy consistency. Stir in the lemon zest and juice, the basil, and Parmesan. Top with toasted breadcrumbs if desired and serve immediately.

### **Nutritional information per serving (based on 10 servings):**

Calories 229 (15% from fat) • carb. 41g • pro. 9g • fat 4g • sat. fat 1g • chol. 4mg • sod. 343mg • calc. 87mg • fiber 2g

\*For a crunchy topping, toast ½ cup of breadcrumbs in a 250°F oven with the butter. Stir together once butter has melted. Toast for about 10 to 15 minutes so that breadcrumbs are lightly golden. Finish with a pinch of salt.



# Falafel with Middle Eastern Salad

The food processor makes it possible to whip up this Middle Eastern staple easily at home. Remember to soak the chickpeas the night before.

**Yield:** 24 falafel and 4½ cups salad

---

## INGREDIENTS

### Falafel

- 2 garlic cloves, peeled
- 1 small shallot, cut into 1-inch pieces
- 1 cup dried chickpeas, soaked overnight, drained and rinsed
- 1 teaspoon kosher salt
- ⅛ teaspoon freshly ground black pepper
- 1 teaspoon ground cumin
- ½ teaspoon ground coriander
- ⅛ teaspoon chili powder
- ⅔ cup packed fresh parsley, stems and leaves
- 2 tablespoons plus ½ cup unbleached all-purpose flour, divided
- ½ teaspoon baking soda
- 2 tablespoons water

- Vegetable oil, if frying
- Olive oil, if baking\*

### Salad

- ⅓ cup fresh parsley leaves, stems discarded
  - 1 medium cucumber, halved widthwise
  - 1 cup cherry tomatoes
  - 6 small (2 to 3 inch) dill pickles (or about ½ cup quick-pickled vegetables (page 31))
  - 2 tablespoons extra-virgin olive oil
  - 1 tablespoon tahini
  - 2 teaspoons za'atar seasoning
  - Pinch of ¼ teaspoon kosher salt (to taste)
  - Pita, for serving
  - Tahini (optional)
- 

## INSTRUCTIONS

1. Insert the universal blade into the work bowl of the Cuisinart® 7-Cup Food Processor. Add the garlic and shallot, and pulse 5 to 8 times to chop. Add the chickpeas, salt, pepper, spices, parsley, and the 2 tablespoons of flour. Pulse 10 to 12 times to coarsely grind the chickpeas. Scrape down the sides of the bowl, and then process for 15 to 20 seconds, until finely ground. Reserve ⅔ cup in a separate bowl.
2. Dissolve the baking soda in the water, and with the unit running, pour through the feed tube. Process for 15 to 20 seconds to blend well. Add to bowl with the reserved mixture. Stir well to combine.
3. Using a tablespoon, scoop the chickpea mixture and shape into 24 balls (you can also make larger falafel using a 2-tablespoon scoop for 12 falafel). Place the balls on a tray or plate lined with waxed paper, and refrigerate for 30 minutes. Put the remaining ½ cup flour in a shallow bowl and set aside.
4. Fit a 3-quart saucepan with a deep-fry thermometer, and fill with enough oil to reach a depth of ¼ inch. Place over medium-high heat until the thermometer registers 375°F.\* Roll the falafel in the flour, shaking off any excess, and slide into the oil. Cook the falafel in batches, no more than 5 at a time, for 2½ to 3 minutes, turning halfway through, until browned and crisp.
5. Remove to a paper towel-lined sheet tray. Repeat with the remaining falafel.
6. While the falafel are cooling, prepare the salad. Insert the universal blade into the work bowl. Add the parsley and pulse until roughly chopped.

- With the parsley still in the bowl, remove the universal blade and replace with the medium slicing disc. Slice the cucumber, pickles, and tomatoes. Transfer to a serving bowl. Add the olive oil, tahini, za'atar, and a pinch of the salt, and toss the salad. Taste and add salt as desired.
- Serve falafel with sliced pita and the salad on the side.

**\*Note:** If choosing to bake instead, preheat the oven to 400°F with a rack in the middle position. Line a large baking sheet with parchment and drizzle with olive oil. Do not coat the falafel in flour. Place the falafel on the parchment. Drizzle with more oil, turning to coat the balls all over. Bake for 20 to 25 minutes, turning halfway through, until browned and crisp.

**Nutritional information per serving (per falafel):**

Calories 35 (92% from fat) • carb. 6g • pro. 2g • fat 1g • sat. fat 0g • chol. 0mg • sod. 14mg • calc. 13mg • fiber 2g

**Nutritional information per serving (½ cup salad):**

Calories 51 (69% from fat) • carb. 3g • pro. 1g • fat 4g • sat. fat 1g • chol. 0mg • sod. 347mg • calc. 30mg • fiber 1g

## Lamb Meatballs

These Greek-inspired meatballs are terrific on their own, but when paired with pita and tzatziki, rice, and a green salad, they are a complete meal, set to impress.

**Yield:** 15 meatballs

---

### INGREDIENTS

1	garlic clove, peeled	½	teaspoon ground cumin
¼	cup fresh Italian parsley leaves	¼	teaspoon freshly ground black pepper
¼	cup fresh mint leaves	1	ounce feta, broken into pieces
1½	pounds lamb shoulder, cut into 1-inch pieces		Tzatziki, for serving
1	teaspoon kosher salt		Pita, warmed, for serving

---

### INSTRUCTIONS

- Preheat the oven to 400°F with the rack in the middle position.
- Insert the universal blade into the work bowl of the Cuisinart® 7-Cup Food Processor. While the unit is running, drop the garlic into processor to finely chop. Add the parsley and mint, and pulse to finely chop. Add the lamb, salt, cumin, and pepper. Using about 12 long pulses, pulse until roughly chopped. Add the feta and pulse a few times until evenly dispersed.
- Divide the lamb mixture into 15 evenly sized balls. Transfer to a parchment- or foil-lined baking sheet. Put into the preheated oven and bake for 18 minutes.
- Serve with tzatziki and warm pita.

**Nutritional information per meatball:**

Calories 67 (39% from fat) • carb. 0g • pro. 10g • fat 3g • sat. fat 1g • chol. 31mg • sod. 203mg • calc. 17mg • fiber 0g

# Smash Veggie Burger

Smash burgers are beloved for their crispy crust and juicy, tender interior. This veggie variation is sure to be a “smash” hit!

**Yield:** 12 patties (6 double burgers)

---

## INGREDIENTS

1½	teaspoons kosher salt, divided; more as needed	1	large egg yolk
¼	cup buckwheat	1	teaspoon garlic powder
8	ounces shiitake mushrooms, stems removed	1	teaspoon onion powder
4	teaspoons olive oil, divided	1	teaspoon smoked paprika
1	15.5-ounce can black beans, drained and rinsed	¼	teaspoon chili powder
¼	yellow onion, peeled	¼	teaspoon freshly ground black pepper
3	tablespoons mayonnaise	¼	cup cold water
2	tablespoons oat flour	12	slices Cheddar cheese
1	tablespoon cornstarch	6	burger buns, toasted
1	tablespoon almond butter		Assorted toppings, such as lettuce, tomato, pickles, and ketchup

---

## INSTRUCTIONS

1. Preheat the oven to 350°F.
2. In a small pot of salted boiling water, cook the buckwheat until tender. Drain and set aside to cool completely. Reserve in a medium bowl.
3. Insert the universal blade into the work bowl of the Cuisinart® 9-Cup Food Processor. Add the mushrooms and pulse about 10 times until roughly chopped. Toss the mushrooms with the olive oil and ½ teaspoon of the salt, and spread evenly on a baking sheet. Evenly spread black beans on a separate baking sheet. Bake the mushrooms and black beans for 10 minutes, or until mushrooms shrink by half and the black beans appear dry and starting to crack.
4. Add the onion to the work bowl and pulse until finely chopped. Add the onion and mushrooms to the bowl with the buckwheat.
5. Add the black beans to the work bowl and pulse 5 times. Remove ½ cup of the beans and add to the buckwheat. Add the mayonnaise, oat flour, cornstarch, almond butter, egg yolk, 1 teaspoon of the salt, and the spices to the work bowl with the remaining beans and pulse to combine ingredients. While unit is running, stream in the cold water through the feed tube and continue to process until the puree is smooth.
6. In the medium bowl, mix the purée with the buckwheat, mushrooms, onions, and chopped black beans. Using a 2-ounce scoop, portion the mixture onto a baking sheet lined with parchment paper and shape into patties, leaving a 3-inch space between the patties. Place another piece of parchment paper on top of the portioned patties. Press down on each patty with the bottom of a measuring cup to create 3-inch discs. Freeze the patties for at least 2 hours.

7. To cook, heat the remaining 2 teaspoons of oil in a medium nonstick skillet or cast-iron pan. Place 2 patties in the pan and cook until a golden-brown crust begins to form. Flip and add a slice of Cheddar to each patty. Cook until crisp on the other side. Remove and stack 2 patties on a toasted bun. Serve with your favorite toppings.

**Nutritional information per serving (1 patty with cheese):**

Calories 176 (52% from fat) • carb. 13g • pro. 9g • fat 10g • sat. fat 5g • chol. 39mg • sod. 593mg  
calc. 174mg • fiber 4g

## Plain or Seasoned Breadcrumbs

No need to buy breadcrumbs when you can make them fresh in your Cuisinart® Food Processor.

**Yield:** about 1 $\frac{2}{3}$  cups

### INGREDIENTS

8 slices white bread

---

### INSTRUCTIONS

1. Preheat the oven to 325°F. On a large baking sheet, put the bread slices in a single layer. Bake until the bread is completely dry, about 20 minutes. Transfer to a wire rack to cool for 5 to 10 minutes.
2. Insert the universal blade into the work bowl of the Cuisinart® 7-Cup Food Processor. Break toasted bread into medium-size pieces and add to work bowl. Pulse 6 to 8 times, then process until the desired texture is achieved, 30 to 60 seconds.

**Note:** Breadcrumbs can also be made from unbaked day-old bread. Simply break into pieces and follow the instructions above until finely chopped.

**Seasoned Breadcrumbs:** Add  $\frac{1}{4}$  teaspoon each kosher salt, dried oregano, dried basil, garlic powder, and onion powder to work bowl with bread pieces and process as above.

**Nutritional information per serving (2 tablespoons):**

Calories 43 (11% from fat) • carb. 9g • pro. 1g • fat 0g sat. fat 0g • chol. 0mg • sod. 92mg • calc. 92mg • fiber 6g

# Pizza Dough

Homemade pizza dough is the perfect start to family pizza night.

**Yield:** about 1 pound of dough (one 12- to 14- inch pizza or two 8-inch pizzas)

---

## INGREDIENTS

1¾	cups bread or unbleached all-purpose flour; more as needed	¾	teaspoon kosher salt
1½	teaspoons instant yeast	¾	cup water, room temperature
1	teaspoon granulated sugar	2	teaspoons olive oil

---

## INSTRUCTIONS

1. Insert the universal blade into the work bowl of the Cuisinart® 7-Cup Food Processor. Add the flour, salt, sugar, yeast, and olive oil to the bowl and pulse a few times to combine. While the unit is running, pour the water through the feed tube as fast as the flour absorbs it. Process until the dough cleans the sides of the work bowl and forms a ball. Continue to process for 30 seconds to knead the dough. Dough should be slightly sticky.
2. Transfer the dough to a clean surface and knead by hand for an additional minute. Put the dough into a clean bowl and cover with a damp towel or plastic wrap. Let it rise in a warm, draft-free place for about 1 hour; dough should double in size.
3. Place dough on a lightly floured surface and gently fold over to “punch” down. Form into desired crust size(s) as directed by recipe.

### **Nutritional information per serving (based on 8 servings):**

Calories 92 (6% from fat) • carb. 19g • pro. 3g • fat 1g • sat. fat 0g • chol. 0mg • sod. 214mg • calc. 1mg • fiber 0g

# Gluten-Free Pizza Dough

**Yield:** 1 pound of dough

---

## INGREDIENTS

½	cup brown rice flour	½	teaspoon instant yeast
½	cup white rice flour	1	teaspoon granulated sugar
¼	cup arrowroot starch	1¼	teaspoons baking powder
3	tablespoons quinoa flour	1	teaspoon kosher salt
2	tablespoons ground flax seeds	1	cup water
2	tablespoons tapioca flour	2	tablespoons olive oil, for brushing
1½	tablespoons psyllium husk powder		

---

## INSTRUCTIONS

1. Insert the universal blade into the work bowl of the Cuisinart® 7-Cup Food Processor. Add the dry ingredients. Process for 20 seconds to sift.
2. While the unit is running, gradually add the water through the feed tube. Process until a dough ball forms. Continue processing for 30 seconds to knead.
3. Gather and shape into a smooth ball. Transfer to a clean bowl, cover, and let rise for 30 minutes before shaping and baking.
4. To bake, preheat the oven to 400°F. Shape the dough as directed by the recipe you’re using. Brush the outer edge of the dough with the olive oil. Bake for 10 minutes, or until the dough is just starting to get firm at the edges but shows little to no color. Remove the dough and then

top as desired. Return to the oven and then bake until the edge is brown and the toppings are hot, 10 more minutes.

5. Refrigerate any extra dough overnight, or freeze for up to 1 month.

**Nutritional information per serving:**

Calories 98 (29% from fat) • carb. 16g • pro. 1g • fat 3g • sat. fat 0g • Chol. 0mg • sod. 242mg • calc. 11mg • fiber 2g

## Cauliflower Crust for Pizza

Try this cauliflower crust as a gluten-free alternative.

**Yield:** one 12-inch pizza crust

---

### INGREDIENTS

4	ounces Parmesan, cut into ½-inch pieces	½	teaspoon kosher salt
1	head (about 1 pound) cauliflower, cut into 1-inch florets	¼	teaspoon freshly ground black pepper
		¼	teaspoon onion powder
2	large eggs	¼	teaspoon garlic powder

---

### INSTRUCTIONS

1. Preheat the oven to 450°F. Line a baking sheet with parchment; reserve.
2. Insert the universal blade into the work bowl of the Cuisinart® 7-Cup Food Processor. Add the Parmesan and process to finely chop.
3. Add the cauliflower and pulse 5 to 6 times to break up, and then process until finely chopped.
4. Add the remaining ingredients and process to combine fully.
5. Transfer the mixture to the prepared baking sheet. Form into a rectangle about ½ inch thick. Bake until golden brown and slightly firm, about 25 minutes. Cool slightly. Top with your favorite pizza toppings, and return to the hot oven to finish cooking.

**Nutritional information per serving:**

Calories 89 (52% from fat) • carb. 3g • pro. 8g • fat 6g • sat. fat 3g • chol. 68mg • sod. 422mg • calc. 188mg • fiber 1g

# Flaky Pie Crust (Pâte Brisée)

This flaky pastry is a classic all-butter dough that can be used for sweet or savory pies and tarts.

**Yield:** one 9- to 10-inch pie or tart crust

---

## INGREDIENTS

1	cup unbleached all-purpose flour	8	tablespoons (1 stick) unsalted butter, cold and cut into ½-inch cubes
1	teaspoon fine sea salt	2	tablespoons ice water

---

## INSTRUCTIONS

1. Insert the universal blade into the work bowl of the Cuisinart® 7-Cup Food Processor. Add the flour and salt to the work bowl, and process to sift.
2. Add the cubed butter over the flour mixture. Pulse 8 to 10 times, until the mixture resembles coarse crumbs. Add 1 tablespoon of the ice water. Pulse to incorporate. Add the remaining water 1 teaspoon at a time, pulsing to incorporate, just until the mixture forms a dough that holds together when pinched (you may not need all the water).
3. Form the dough into a flat disc. Wrap in plastic and refrigerate for at least 30 minutes before using.
4. The dough keeps for up to a week in the refrigerator or in the freezer for up to 3 months.

**Note:** For a sweet pastry dough, add 1 tablespoon granulated sugar with the dry ingredients.

### **Nutritional information per serving:**

Calories 100 (66% from fat) • carb. 7g • pro. 1g • fat 7g • sat. fat 5g • chol. 20mg • sod. 98mg • calc. 0mg • fiber 0g

# Buttermilk Drop Biscuits

A simpler method for preparing biscuits, this takes out the shaping and cutting. Just scoop, bake, and serve.

**Yield:** 10 biscuits

---

## INGREDIENTS

1½	cups unbleached all-purpose flour; more as needed	½	teaspoon kosher salt
½	cup cake flour		Pinch freshly ground black pepper
1¾	teaspoons baking powder	8	tablespoons good-quality unsalted butter, cold and cubed
¼	teaspoon baking soda	1	cup buttermilk, chilled
1	teaspoon granulated sugar		

---

## INSTRUCTIONS

1. Preheat the oven to 450°F with a rack in the middle position. Line two baking sheets with parchment paper; reserve.
2. Insert the universal blade into the work bowl of the Cuisinart® 7-Cup Food Processor. Add the dry ingredients and process to sift. Add the butter, and then pulse until the butter is well coated with flour and the size of peas. While pulsing, slowly add the buttermilk through the feed tube.

- Turn the dough onto a lightly floured surface and fold over a few times to be sure all ingredients are well incorporated. Using a large scoop, about  $\frac{1}{3}$  cup in size, drop the dough onto the prepared baking pans, leaving about 2 inches of space between each one.
- Bake until golden-brown, 12 to 15 minutes. Transfer to a wire rack to cool slightly before serving.

**Nutritional information per biscuit:**

Calories 178 (47% from fat) • carb. 20g • pro. 3g • fat 9g • sat. fat 6g • chol. 26mg • sod. 242mg • calc. 45mg • fiber 0g

## Flour Tortillas

If you have never tasted fresh, homemade flour tortillas then we strongly suggest you give these a try. Simple and quick to prepare, they will make store-bought tortillas a thing of the past.

**Yield:** ten, 6-inch tortillas

---

### INGREDIENTS

2½	cups unbleached all-purpose flour plus more for dusting	6	tablespoons vegetable shortening, room temperature
1	teaspoon kosher salt	¾	cup warm water Canola oil for brushing

---

### INSTRUCTIONS

- Insert the universal blade into the work bowl of the Cuisinart® 7-Cup Food Processor. Add the flour and salt and process to sift. Add the shortening and pulse until the shortening is well coated with flour. With the unit running, slowly add the water through the feed tube. Continue to process for 40 seconds to knead. The dough should be soft and smooth.
- Turn the dough out onto a lightly floured work surface and knead for another minute or two by hand to soften some more.
- Divide the dough into 10 equal pieces and shape into rounds. Loosely cover the rounds with plastic wrap and let them sit for 30 minutes to 1 hour.
- Preheat a griddle over medium-high heat. Working with one dough ball at a time and keeping the rest covered, roll the dough into a 6-inch circle, about  $\frac{1}{8}$  inch thick. Once the griddle is hot, brush the surface with oil and place the dough on the griddle. Cook, turning the tortilla every  $1\frac{1}{2}$  to 2 minutes, until browned in spots and cooked through but still pliable. The dough will puff as it cooks.
- Remove the tortilla to a plate and cover with a damp paper towel or clean towel to keep warm. Continue cooking the remaining tortillas in the same manner. Serve with desired accompaniments.

**Nutritional information per tortilla:**

Calories 190 (47% from fat) • carb. 22g • pro. 3g • fat 10g • sat. fat 2g • chol. 0mg • sod. 229mg • calc. 1mg • fiber 1g



# Cranberry Apple Pie

Cranberries are a perfect complement to apples in this delicious harvest-season pie.

**Yield:** 8 to 12 servings

---

## INGREDIENTS

2	recipes Sweet Flaky Pie Crust (page 47), in two discs	¼	teaspoon ground nutmeg	
	Unbleached all-purpose flour, as needed for rolling dough	¼	teaspoon ground allspice	
		3	cups whole cranberries, fresh or frozen, divided	
½	cup dried cranberries	3	large apples, such as Golden Delicious, Ginger Gold, or Pink Lady, peeled, cored, and halved	
½	cup granulated sugar; more for finishing		Juice of ½ medium lemon	
½	cup packed light brown sugar		1	tablespoon pure vanilla extract
¼	cup arrowroot starch	1	large egg, lightly beaten with	
½	teaspoon kosher salt	1	1 teaspoon water	
½	teaspoon ground cinnamon			

---

## INSTRUCTIONS

1. Roll out one dough disc on a lightly floured surface to a ⅞-inch-thick circle. Transfer to a 10-inch pie plate. Refrigerate while making the filling.
2. In a small heatproof bowl, cover the dried cranberries with hot water, and soak until plump.
3. Insert the universal blade into the Cuisinart® 7-Cup Food Processor. Add the sugars, arrowroot, salt, and spices. Process to combine. Transfer the sugar mixture to a large bowl.
4. Add 1½ cups of the fresh cranberries to the food processor, still fitted with the universal blade, and pulse until roughly chopped. Add the chopped cranberries and the remaining 1½ cups fresh cranberries to the sugar mixture.
5. Insert the medium slicing disc into the work bowl. Stand the apple halves upright in the feed tube and slice. Transfer to the cranberry-sugar mixture, and add the lemon juice and vanilla. Toss gently to coat.
6. Drain the dried cranberries, and add to the bowl with the rest of the filling. Toss gently.
7. Roll out the second dough disc into a ⅞-inch-thick circle. If making a lattice top, cut the rolled pastry into ½-inch strips.
8. Pour the filling into the refrigerated pie shell, and cover with the top crust. If making a lattice crust, weave the pastry dough as desired. If using the full pastry round, cut vent holes into the pie dough after the dough is in place. Crimp as desired.
9. Chill the pie in the refrigerator for 10 to 15 minutes.
10. Meanwhile, move an oven rack to the lowest position, and place a rimmed baking sheet on the rack. Preheat the oven to 450°F.
11. Brush the top crust with the egg wash, and sprinkle with granulated sugar.
12. Place the pie on the rimmed baking sheet. Bake for 15 minutes, or until the pastry is beginning to brown. Lower the oven temperature to 350°F and bake until golden-brown, another 30 to 35 minutes.
13. Allow to cool completely on a wire rack before cutting, 2 to 3 hours.

### **Nutritional information per serving (based on 12 servings):**

Calories 443 (32% from fat) • carb. 75g • prot. 3g • fat 16g • sat. fat 10g • chol. 48mg • sod. 305mg • calc. 25mg • fiber 3g

---

# Banana-Chip “Ice Cream” with Peanut Butter Swirl

Frozen bananas become a rich, creamy, and guilt-free dessert!

**Yield:** about 2 cups

---

## INGREDIENTS

4	very ripe bananas, cut into 2-inch pieces, frozen		Pinch fine sea salt
		¼	cup semisweet chocolate chips
2	tablespoons coconut milk	¼	cup unsweetened peanut butter
¼	teaspoon pure vanilla extract		

---

## INSTRUCTIONS

1. Insert the universal blade into the work bowl of the Cuisinart® 7-Cup Food Processor. Put the bananas, coconut milk, vanilla, and salt in the work bowl. Use 10 long pulses to break up the bananas. Scrape the work bowl and then process for 2 to 3 minutes until smooth.
2. Add the chips and pulse about 5 times to break up and incorporate. Add the peanut butter and continue to pulse to create a swirl.
3. For best results, serve immediately. Alternatively, transfer to a freezer-safe container, cover the surface with plastic wrap, and freeze.

### **Nutritional information per serving (1/3 cup):**

Calories 196 (41% from fat) • carb. 26g • pro. 6g • fat 23g • sat. fat 12g • chol. 36mg • sod. 183mg • calc. 6mg • fiber 4g

# Pistachio Shortbread

The toasting of the pistachios is a step not to be missed – it brings out the oils of the nuts and is crucial to the true pistachio flavor in these cookies.

**Yield:** 30 cookies

---

## INGREDIENTS

½	cup unsalted pistachios, toasted and cooled	½	teaspoon pure almond or vanilla extract
2	tablespoons granulated sugar, plus more for coating	1	cup unbleached all-purpose flour
		½	teaspoon kosher salt
8	tablespoons European-quality unsalted butter, room temperature and cut into 4 pieces	1	large egg white, whisked well
		1 to 2	tablespoons coarse sugar, such as turbinado
¼	cup confectioners’ sugar, sifted		

---

## INSTRUCTIONS

1. Put the pistachios and the 2 tablespoons granulated sugar into the work bowl of the Cuisinart® 7-Cup Food Processor fitted with the universal blade. Pulse a few times, and then process for 20 seconds.
2. Add the butter, confectioners’ sugar, and vanilla. Pulse to combine, and then process until mixture comes together fully.
3. Add the flour and salt, and pulse until combined. Scrape down the work bowl, and pulse a few more times.
4. Transfer the dough to a piece of parchment. Form into a 2-inch cylinder, and wrap in the parchment. Refrigerate overnight.

- Preheat the oven to 350°F with the racks in the lower and upper third positions. Line two baking sheets with parchment paper.
- While the oven is preheating, remove the dough from the refrigerator, and then brush with the egg white. Put the coarse sugar in a long rimmed pan. Roll the egg-washed dough in the sugar, and then cut into ¼-inch- to ⅓-inch-thick slices. Transfer the dough to the prepared baking pans.
- Bake until the cookies are just browned at the edges, about 10 minutes. Transfer to a wire rack until firm enough to move to a second wire rack to cool completely before serving.

**Nutritional information per cookie:**

Calories 60 (57% from fat) • carb. 6g • pro. 1g • fat 4g • sat. fat 2g • chol. 8mg • sod. 36mg • calc. 2mg • fiber 0g

## Raspberry Swirl Cheesecake

The chocolate cookie crust is the perfect pairing for this beautiful, simple-to-make cheesecake. When serving, grate bittersweet chocolate over top for an extra decadent garnish.

**Yield:** one 8-inch cake, about 12 servings

### INGREDIENTS

	Nonstick cooking spray	¼	teaspoon kosher salt
<b>Crust</b>		3	large eggs, room temperature
12	chocolate sandwich cookies, broken into pieces	1	teaspoon pure vanilla extract
2	tablespoons unsalted butter, melted	1	cup (8 ounces) plain Greek yogurt, room temperature
<b>Filling</b>		<b>Raspberry Sauce</b>	
16	ounces (2 standard packages) cream cheese, room temperature	1	cup raspberries, fresh or frozen (defrosted)
1	cup granulated sugar	2	tablespoons granulated sugar

### INSTRUCTIONS

- Preheat oven to 325°F. Place a baking pan with a depth of at least ¼ inch on the bottom rack of the oven and fill with water. Position the other rack in the middle of the oven, directly over the water-filled pan. Lightly coat the inside of an 8-inch springform pan with nonstick spray.
- Prepare the crust. Insert the universal blade in the work bowl of the Cuisinart® 7-Cup Food Processor. Add the cookies and pulse 6 to 8 times to chop, then process to finely grind, about 20 seconds. Add the butter and pulse about 6 times to combine. Remove and press into the bottom of the prepared pan. Reserve.
- Prepare the filling. Remove the universal blade to wipe out work bowl, then replace the blade. Add the cream cheese. Pulse about 5 times, scrape down sides of bowl, and process for 30 to 35 seconds until creamy. Add the sugar and salt and pulse a few times, then process until homogenous, stopping to scrape down the sides of the bowl as needed. With the unit running, add the eggs, one at a time, and vanilla, through the feed tube and process until combined.
- Add the yogurt and pulse until well mixed.
- Pour the cream cheese mixture into the prepared pan. Tap a few times to remove any air bubbles and reserve. Rinse bowl and blade and return to the unit.
- Prepare the raspberry sauce. (Note: The raspberry sauce can be made up to 1 week in advance and stored in the refrigerator until ready to use.) Put the raspberries and sugar into the work bowl fitted with the universal blade. Process until smooth, 20 to 30 seconds. Pour through a fine-mesh strainer set over a clean bowl. Pour the strained raspberry sauce over the top of the cheesecake in a circular pattern and use a knife or skewer to make an attractive swirl.

- If any of the water has evaporated from the baking pan in the oven, add some more. Place the springform pan on the middle rack. Bake for 1 hour, covering loosely with foil after 40 minutes, then turn off the oven after the full hour. Leave the cake in the oven for an additional hour.
- Transfer the cheesecake to a wire rack to cool completely, then cover and refrigerate for at least 8 hours before serving.

**Nutritional information per serving:**

Calories 311 (53% from fat) • carb. 31g • pro. 31g • fat 19g • sat. fat 10g • chol. 92mg • sod. 256mg • calc. 34mg • fiber 1g

## Chocolate Hazelnut Spread

For a delectable treat, spread on warm toast.

**Yield:** about 2 cups

---

### INGREDIENTS

1½	cups skinned hazelnuts	½	teaspoon kosher salt
1	cup (8 ounces) semisweet chocolate chips	½	cup heavy cream
2	tablespoons granulated sugar	6	tablespoons unsalted butter, cut into 1-inch pieces, room temperature

---

### INSTRUCTIONS

- Preheat the oven to 350°F. Spread the hazelnuts on a baking sheet, and toast until fragrant and lightly golden-brown, 5 to 8 minutes. Transfer to a wire rack to cool completely.
- Put the chocolate chips in a small metal bowl. Place the bowl over a medium saucepan of simmering water, and stir until melted and smooth. Reserve.
- Put the hazelnuts, sugar, and salt in the work bowl of the Cuisinart® 7-Cup Food Processor fitted with the universal blade. Pulse 5 to 6 times to break up the hazelnuts, then process until hazelnuts resemble a thick paste.
- Add the melted chocolate, cream, and butter to the hazelnut mixture. Process until smooth. Transfer to an airtight container and refrigerate for at least 30 minutes. Store in the refrigerator for up to 2 weeks.

**Tip:** For best results, remove from the refrigerator 30 minutes prior to serving.

**Nutritional information per serving (1 tablespoon):**

Calories 94 (73% from fat) • carb. 6g • pro. 1g • fat 8g • sat. fat 4g • chol. 11mg • sod. 39mg • calc. 10mg • fiber 1g



©2023 Cuisinart  
Glendale, AZ 85307  
Printed in China

23CE086313

**IB-17905-ESP**

# Cuisinart®

MANUAL DE  
INSTRUCCIONES  
Y LIBRO DE  
RECETAS



**Procesadora de alimentos de 7 tazas (1.65 L) Cuisinart®**

**Serie FB-7**

Para su seguridad y para disfrutar plenamente de este producto, siempre lea atentamente las instrucciones antes del uso.

---

# IMPORTANTES INSTRUCCIONES DE DESEMBALAJE

Esta caja incluye la procesadora de alimentos de 7 tazas (1.65 L) Cuisinart® y sus accesorios: Un bol de 7 tazas (1.65 L), una tapa con empujador mediano, una cuchilla picadora/mezcladora/amasadora universal, un disco triturador reversible medio, un disco triturador reversible fino, un adaptador removible, un eje de almacenamiento, un bloque-motor (base) y un manual de instrucciones/libro de recetas.

## PRECAUCIÓN: LAS HERRAMIENTAS DE CORTE SON MUY AFILADAS.

Para evitar el riesgo de lesiones, desembale con cuidado el aparato, siguiendo las instrucciones a continuación:

1. Coloque la caja en una superficie llana y amplia, tal como una mesa o una encimera. Compruebe que la caja no esté de cabeza.
2. Abra la caja. En la caja, encontrará un bloque de espuma de poliestireno con cavidades que contienen las piezas de la procesadora.
3. Retire el manual de instrucciones/libro de recetas.
4. Retire el material de embalaje.
5. Retire la base y el bol de la caja, y colóquelos en la encimera/mesa. Lea atentamente todas las instrucciones antes de usar el aparato.
6. Se recomienda conservar el material de embalaje; puede ser útil para volver a empaquetar el aparato cuando se mude o necesite enviarlo por correo.

Se recomienda llenar el formulario de registro disponible en <https://cuisinart.registria.com> a fin de facilitar la verificación de la fecha de compra original de este producto.

# MEDIDAS DE SEGURIDAD IMPORTANTES

Al usar aparatos eléctricos, siempre se deben tomar precauciones básicas de seguridad, entre ellas las siguientes:

## Preparación

1. Lea todas las instrucciones.
2. **La cuchilla y los discos son muy afilados;** manipúlelos con sumo cuidado.

**3. Siempre apague y desenchufe el aparato cuando no esté en uso, antes de instalar/quitar piezas, antes de vaciar el bol y antes de limpiarlo. Para desenchufar, agarre el enchufe y jálelo para sacarlo de la toma de corriente; nunca jale el cable.**

4. No lo use en exteriores.
5. No deje que el cable cuelgue de la encimera o de la mesa, ni que tenga contacto con superficies calientes.
6. No use este aparato si el cable o el enchufe están dañados, si no funciona correctamente, si está dañado o después de una caída; Llame al nuestro centro de atención al cliente, al 1-800-762-0190 para obtener información sobre cómo hacer revisar, reparar o ajustar el aparato.

## Operación

1. Para reducir el riesgo de lesiones personales graves o de daño al aparato, mantenga las manos y los utensilios alejados de las cuchillas o de los discos durante el funcionamiento. Se puede usar una espátula de goma/plástico, siempre que el aparato esté apagado.
2. Evite el contacto con las piezas móviles. Nunca introduzca la mano en el tubo de alimentación; siempre use el empujador.
3. Espere hasta que el motor se haya detenido por completo antes de quitar la tapa. Si el motor no se detiene dentro de 4 segundos después de abrir la tapa, desenchufe el aparato y llame al 1-800-726-0190 para asistencia. No use el aparato.
4. No guarde las cuchillas ni los discos en el adaptador removible. Para reducir el riesgo de lesiones personales, nunca instale la cuchilla o el disco antes de haber comprobado que el bol esté correctamente instalado. Guarde los accesorios fuera del alcance de los niños.
5. Compruebe que la tapa esté correctamente puesta y que el empujador esté completamente engranado antes de encender el aparato.
6. Nunca empuje los alimentos con la mano; siempre use el empujador.
7. No intente forzar/modificar el mecanismo de enclavamiento/bloqueo de seguridad de la tapa.

## Limpieza

Para reducir el riesgo de descarga eléctrica, no coloque el bloque-motor en agua u otros líquidos.

## Generalidades

1. Este aparato no debe ser usado por o cerca de niños o personas con ciertas discapacidades.



2. No use este aparato bajo el efecto del alcohol u otra sustancia que afecte su tiempo de reacción o su percepción.
3. Este aparato es para uso doméstico. Úselo solamente para la preparación de alimentos y como se describe en este manual de instrucciones y libro de recetas. Use este aparato solo para el uso previsto.
4. Antes de usar un accesorio/aditamento Cuisinart® aprobado, lea todas las instrucciones incluidas con el accesorio/aditamento.
5. El uso de accesorios no recomendados o vendidos por Cuisinart puede provocar un incendio, una descarga eléctrica o lesiones personales.
6. Nunca guarde el aparato en la base con la tapa cerrada.
7. No haga funcionar el aparato debajo o dentro de un armario/gabinete. **Siempre desenchufe el aparato antes de almacenarlo en un armario/gabinete.** Dejar el aparato enchufado representa un riesgo de incendio, especialmente si este toca las paredes o la puerta del armario/gabinete cuando se cierra.

**NOTA: El cable de este aparato cuenta con un enchufe polarizado (una pata es más ancha que otra). Como medida de seguridad, se podrá enchufar de una sola manera en la toma de corriente polarizada. Si no entra en la toma de corriente, invíértalo. Si aun así no entra completamente, comuníquese con un electricista. No intente modificar esta función de seguridad.**

**NOTA: Los niños o las personas que carezcan de la experiencia o de los conocimientos necesarios para manipular el aparato, o aquellas cuyas capacidades físicas, sensoriales o mentales estén limitadas, no deben usar este aparato. Supervise el uso del aparato con cuidado cuando sea usado cerca de niños. No deje que los niños jueguen con este aparato.**

Para evitar el riesgo de lesiones o daños al bol o a la tapa, no llene el bol por encima de la línea de llenado máximo, o más allá de su capacidad.

## GUARDE ESTAS INSTRUCCIONES.

## PARA USO DOMÉSTICO SOLAMENTE.

### ADVERTENCIA: RIESGO DE INCENDIO O DESCARGA ELÉCTRICA



El símbolo de relámpago con punta de flecha dentro de un triángulo equilátero tiene como fin alertar al usuario de la presencia de voltajes peligrosos no aislados en el interior del aparato, los cuales pueden ser de suficiente magnitud para constituir un riesgo de incendio o descarga eléctrica.



El signo de exclamación dentro de un triángulo equilátero tiene como fin alertar al usuario de la presencia de instrucciones importantes de uso y mantenimiento (servicio) en la documentación que acompaña al equipo.

### ÍNDICE

Instrucciones de desembalaje .....	2
Medidas de seguridad importantes .....	2
Piezas .....	4
Instrucciones de ensamblaje .....	5
Controles .....	5
Funciones .....	5
Guía de referencia .....	7
Limpieza, almacenamiento y mantenimiento .....	8
Para su seguridad .....	8
Especificaciones técnicas .....	8
Resolución de problemas .....	8
Garantía .....	10
Recetas .....	12

**ADVERTENCIA**

RIESGO DE INCENDIO O DESCARGA ELÉCTRICA; NO LO ABRA

ADVERTENCIA: PARA REDUCIR EL RIESGO DE DESCARGA ELÉCTRICA, NO DESARME LA CARCASA DEL APARATO.

ESTE APARATO NO CONTIENE NINGUNA PIEZA QUE PUEDA SER REPARADA/REEMPLAZADA POR EL USUARIO.

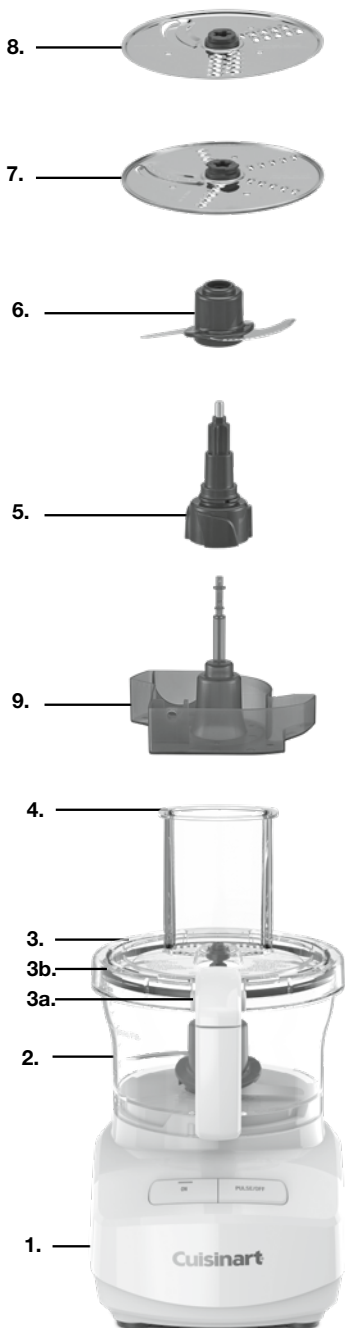
LAS REPARACIONES DEBEN SER EFECTUADAS POR TÉCNICOS AUTORIZADOS SOLAMENTE.

## PIEZAS

El aparato incluye:

- 1. Bloque-motor (base)** con dos controles: ON (encendido continuo) y PULSE/OFF (pulso/apagado)
- 2. Bol removible de 7 tazas (1.65 L)**
- 3. Tapa con tubo de alimentación**  
Sistema de cierre con botones de liberación (a) y sistema de bloqueo de seguridad. El sello (b) puede quitarse para lavarse a mano o en el lavavajillas.
- 4. Empujador mediano** – Se desliza dentro el tubo de alimentación.
- 5. Adaptador removible**
- 6. Cuchilla picadora/mezcladora/amasadora universal**
- 7. Disco rebanador/triturador reversible fino**
- 8. Disco rebanador/triturador reversible medio**
- 9. Eje de almacenamiento** – Para guardar el adaptador removible, la cuchilla y los discos en el bol.

**NOTA:** Cuisinart ofrece un bol para procesamiento continuo (vendido por separado) que permite rebanar y triturar sin apagar el aparato para vaciar el bol.



# INSTRUCCIONES DE ENSAMBLAJE

## Antes del primer uso

Antes de usar el aparato por primera vez, lave todas las piezas removibles como se describe en las instrucciones de limpieza.

1. Ponga el bloque-motor sobre una superficie nivelada y seca. No enchufe el aparato hasta que esté completamente ensamblado.
2. Coloque el bol sobre la base y gírelo en sentido antihorario para sujetarlo.

## CUCHILLA PICADORA/MEZCLADORA/AMASADORA UNIVERSAL

1. Coloque el bol sobre la base, con el asa ligeramente a la derecha del centro. Gire el bol en sentido horario hasta que el asa esté en el centro para sujetarlo.
2. Con cuidado, deslice la cuchilla por encima del adaptador. Sosteniendo el adaptador por la parte superior, colóquelo en el eje del bol. La cuchilla debe quedar en el fondo del bol (Fig. 1).
3. Enchufe el cable en una toma de corriente. **Fig. 1**
4. Coloque los ingredientes deseados en el bol.
5. Coloque la tapa en el bol, el tubo de alimentación en la parte posterior del mismo. Inserta la parte trasera de la tapa primero, y luego presione la parte delantera hasta que quede segura.
6. Inserte el empujador en el tubo de alimentación.
7. El aparato está listo.



## DISCOS REBANADORES/TRITURADORES REVERSIBLES

1. Coloque el bol sobre la base, con el asa ligeramente a la derecha del centro. Gire el bol en sentido horario para sujetarlo.
2. Instale el adaptador removible (**sin la cuchilla universal**).
3. Elija el disco deseado.
4. Con cuidado, coloque el disco deseado sobre el adaptador, con el lado que desea usar apuntado hacia arriba.
5. Coloque la tapa en el bol, el tubo de alimentación en la parte posterior del mismo. Inserta la parte trasera de la tapa primero, y luego presione la parte delantera hasta que quede segura.

6. Inserte el empujador en el tubo de alimentación.
7. Enchufe el cable en una toma de corriente.
8. El aparato está listo para su uso.

## CONTROLES

### Botón ON (encendido continuo)

1. Ensamble el aparato como se describió en las instrucciones de ensamblaje.
2. Coloque los ingredientes en el bol o introdúzcalos en el tubo de alimentación.
3. Presione el botón ON; el aparato se pondrá en marcha.
4. Para apagar el aparato, presione el botón PULSE/OFF.

### Botón PULSE/OFF (función de pulso)

La función de pulso permite obtener resultados más homogéneos y evita procesar excesivamente los ingredientes. Salvo indicación contraria en la receta, use pulsaciones de aprox. 1 segundo.

Ensamble el aparato como se describió en las instrucciones de ensamblaje. Coloque los ingredientes en el bol. Presione repetidamente el botón PULSE/OFF, hasta obtener la consistencia deseada.

## FUNCIONES

### Usos de la cuchilla universal

#### Picar

- Alimentos crudos: Pele las frutas y los vegetales y quite las partes duras (corazón, pepas, semillas, huesos, etc.). Corte los alimentos en pedazos uniformes de ½-1 in (1.5-2.5 cm); se obtendrán resultados más homogéneos con pedazos del mismo tamaño.
- Procese los alimentos con la función de pulso, usando pulsaciones de 1 segundo, hasta obtener la consistencia deseada. Para obtener una textura más fina, mantenga presionado el botón PULSE/OFF o presione el botón ON. Compruebe la consistencia de los alimentos a menudo y raspe el bol con una espátula si es necesario.

#### Hacer puré

- Puré de frutas/vegetales crudos o cocinados: Corte los ingredientes en pedazos 1 in (2.5 cm); se obtendrán resultados más homogéneos con pedazos del mismo tamaño. Presione el botón PULSE repetidamente para picar, luego procesar hasta obtener puré, raspando el bol si es necesario. **NOTA: No use este método para preparar puré de papas.**

- Para preparar cremas o salsas de vegetales: Cuele la sopa, reservando el líquido, y licue solamente los vegetales. Después, agregue un poco del caldo y siga procesando.

#### Amasar

- Primero, procese los alimentos secos (harina, sal, etc.) para tamizarlos. Presione el botón ON para encender el aparato. Sin apagarlo, agregue lentamente el líquido por el tubo de alimentación, cerciorándose de que los ingredientes secos absorben el líquido antes de verter más. Nota: Si agrega líquido demasiado rápido, espere hasta que los ingredientes se hayan incorporado antes de agregar más líquido. Agregue el líquido restante lentamente, mientras el aparato sigue encendido. Si la masa está demasiado pegajosa, agregar harina, una cucharada a la vez, hasta que se forme una bola de masa. Si la masa está demasiado seca, agregar agua, una cucharada a la vez, hasta que se forme una bola de masa.

Nunca use más de 2 tazas (250 g) de harina cuando prepare masa de levadura.

#### Usos de los discos rebanadores/trituradores reversibles

- El lado rebanador de los discos corta rodajas/tajadas/rebanadas enteras. Es ideal para cortar en rodajas/tajadas frutas, vegetales y carne cocinada, cruda o semicongelada. El disco triturador es capaz de triturar la mayoría de los quesos firmes y duros. También puede usarse para triturar alimentos tales como papas, zanahorias y calabacines/calabacitas.

- Para obtener resultados homogéneos, apretuje los alimentos en el tubo de alimentación. La presión necesaria dependerá de la consistencia de los alimentos. Use una presión ligera para rebanar alimentos suaves, presión moderada para rebanar alimentos firmes y presión firme para rebanar ingredientes duros. Siempre ejerza una presión uniforme.
- Para cortar frutas/vegetales en rodajas: Corte la extremidad inferior de la fruta o del vegetal, e introdúzcalo en el tubo de alimentación, el lado cortado primero. Si no cabe, córtelo a la mitad o en cuartos. Procese, ejerciendo presión uniforme.
- Para rebanar alimentos pequeños, tales como champiñones, rábanos o fresas: Corte ambas extremidades de las frutas/hortalizas e introdúzcalas verticalmente en el tubo de alimentación.
- Refrigere o congele brevemente el queso antes de rebanar o triturarlo.
- Para rallar col, lechuga y otras hortalizas de hoja: Forme un rollo de hojas e introduzca este verticalmente en el tubo de alimentación. Procese, ejerciendo presión uniforme.

**NOTA: No use la cuchilla universal para rebanar o triturar.**

**NOTA: Siempre use el empujador para empujar los alimentos; nunca introduzca los dedos en el tubo de alimentación durante el funcionamiento.**

## CAPACIDADES MÁXIMAS

ALIMENTO	CAPACIDAD
Frutas/vegetales/queso rebanados o triturados	7 tazas
Frutas/vegetales/queso picados	4 tazas
Puré de frutas/vegetales	3 tazas (volumen procesado: 2 tazas)
Carne, pescado o mariscos picados o molidos	$\frac{3}{4}$ lb (340 g)
Líquidos fluidos (p. ej., aderezo, sopa, etc.)	5 tazas (1.2 L)
Mezcla de pastel	Mezcla para un pastel de queso de 8 in (20 cm); 15.25 oz (430 g) de mezcla preparada.
Galletas	2½ docenas (receta de galletas de chispas de chocolate)
Masa de pan blanco/pizza	2 tazas (250 g) de harina común o 2 tazas (240 g) de harina de pan
Mantequilla de fruto seco (p. ej., maní)	2 tazas

# GUÍA DE REFERENCIA

Su nueva procesadora de alimentos Cuisinar® no solo le permitirá rebanar, triturar y picar una gran variedad de frutas y vegetales. También es la herramienta perfecta para muchos otros trabajos de preparación, tales como suavizar mantequilla, rallar pan, preparar papillas y mucho más. ¡A continuación incluimos una guía que le ayudará a preparar cualquier receta!

ALIMENTO	ACCESORIO	FUNCIÓN	INSTRUCCIONES
Quesos suaves (ricota/requesón, queso crema, requesón, etc.)	Cuchilla picadora/ mezcladora/ amasadora universal	ON	Lleve el queso a temperatura ambiente. De ser necesario, corte el queso en pedazos de 1 in (2.5 cm). Procese hasta que esté finamente picado, parando para raspar el bol de vez en cuando si es necesario. Perfecto para preparar pastel de queso, salsas para mojar/cremas para untar, relleno de pasta, etc.
Quesos firmes (Cheddar, suizo, Edam, Gouda, etc.)	Discos rebanador o triturador/rallador	ON	Refrigere o congele brevemente el queso antes de procesarlo. Corte los alimentos en pedazos que quepan en el tubo de alimentación. Use una presión ligera a moderada.
Quesos duros (Parmesano, Romano, etc.)	Cuchilla picadora/ mezcladora/ amasadora universal Discos rebanador/ triturador	ON	Si usa la cuchilla picadora, córtelo en pedazos de ½ in (1.5 cm) para picar. Pulse varias veces para picar, y luego procese hasta que esté finamente picado; esto producirá resultados finos. Para rebanar o triturar los alimentos, córtelos en pedazos que quepan en el tubo de alimentación. Use una presión ligera a moderada.
Papillas	Cuchilla picadora/ mezcladora/ amasadora universal	PULSE y ON	Corte las frutas/los vegetales en pedazos de ½-1 in (1.5-2.5 cm). Cocine los ingredientes al vapor hasta que estén muy suaves. Pulse para picar, y luego procese hasta obtener la consistencia deseada (agregar líquido por el tubo de alimentación si es necesario). Cuele el puré con un colador de malla fina. Congele el puré en bandejas de cubitos de hielo para conseguir porciones individuales de 1 oz (30 g).
Mantequilla	Cuchilla picadora/ mezcladora/ amasadora universal Discos rebanador/ triturador	ON	Para acremar/suavizar: Lleve la mantequilla a temperatura ambiente. Córtela en pedazos de 1 in (2.5 cm). Procese, raspando el bol si es necesario. Para preparar mantequillas aromatizadas, procese los ingredientes aromatizantes (hierbas, ralladura, vegetales, etc.) primero, antes de agregar la mantequilla. Para triturar/rebanar: Congélela brevemente. Use una presión ligera a moderada. Triturar la mantequilla puede resultar útil para preparar ciertos tipos de hojaldres. Rebanar la mantequilla es perfecto para servir con mazorcas de maíz o pancitos frescos.
Pan rallado o galletas molidas	Cuchilla picadora/ mezcladora/ amasadora universal	ON	Rómpalo en pedazos. Pulse para picar, luego procese hasta obtener la textura deseada. Esto producirá pan/galletas saladas/chips rallados perfectos para empanar/rebozar carne o pescado. ¡Las galletas dulces ralladas son perfectas para preparar corteza de tarta y pastel!
Hierbas frescas	Cuchilla picadora/ mezcladora/ amasadora universal	PULSE	Lave y seque bien las hierbas. Pulse para picar. Siga pulsando hasta obtener la consistencia deseada.
Carne molida	Cuchilla picadora/ mezcladora/ amasadora universal	PULSE y ON	Corte la carne en pedazos de ½ in (1.5 cm). Pulse para picar (aprox. 14 pulsaciones largas), hasta conseguir la consistencia deseada. Para moler, siga procesando continuamente. No procese más de 1½ lb (680 g) a la vez.
Helado	Cuchilla picadora/ mezcladora/ amasadora universal	ON	Coloque pedazos de 1 in (2.5 cm) de fruta congelada en el bol. Agregue el líquido (jugo o leche), el edulcorante deseado (azúcar, miel, jarabe simple) y otros sabores. Procese hasta obtener una mezcla suave.
Batidos/Licuadaos ("smoothies")	Cuchilla picadora/ mezcladora/ amasadora universal	ON	Para preparar batidos, agregue el helado primero. Sin apagar el aparato, vierta la leche por el tubo de alimentación y procese hasta obtener la consistencia deseada. Para hacer licuados de frutas, procese las frutas primero, y luego agregue el líquido por el tubo de alimentación, sin apagar el aparato.
Nueces	Cuchilla picadora/ mezcladora/ amasadora universal	PULSE y ON	Pulse hasta obtener la consistencia deseada. Para preparar mantequilla de nuez (como p. ej., mantequilla de mani), pulse para picar y luego procese hasta que esté suave, parando para raspar el bol de vez en cuando si es necesario
Azúcar superfino	Cuchilla picadora/ mezcladora/ amasadora universal	ON	Procese el azúcar granulado por aprox. 1 minuto, hasta pulverizarlo. El azúcar superfino es ideal para preparar merengues y otros productos de panadería y confitería.
Crema batida	Cuchilla picadora/ mezcladora/ amasadora universal	ON	Procese la crema fría hasta que se espese. Agregue la cantidad deseada de azúcar y siga procesando hasta obtener la consistencia deseada. La crema batida será densa, perfecta para acompañar pastel o helado.

---

## LIMPIEZA, ALMACENAMIENTO Y MANTENIMIENTO

- Mantenga su procesadora de alimentos de 7 tazas (1.65 L) Cuisinart® sobre la encimera, para siempre tenerla lista. Desenchúfela cuando no esté en uso. Guarde los accesorios en el eje de almacenamiento provisto, en el bol.
- Mantenga la cuchilla y los discos fuera del alcance de los niños.
- Todas las piezas removibles son aptas para lavavajillas (**bandeja superior solamente** ya que con el tiempo, el intenso calor del agua en la bandeja inferior puede dañarlos). Ponga la tapa recta, con el tubo de alimentación apuntando hacia arriba, para que se limpie bien. Coloque el bol y el empujador al revés. Tenga cuidado al sacar las cuchillas y los discos del lavavajillas, ya que tienen filos cortantes.
- Para facilitar la limpieza, se recomienda enjuagar el bol, la tapa, el empujador, el adaptador removible, la cuchilla y los discos inmediatamente después del uso para evitar que residuos de alimentos se sequen en ellos. Cerciórese de colocar los empujadores y el bol revés, para que el agua se escurra. Si alimentos quedan atrapados en el empujador, enjuague este en agua o límpiolo con un cepillo para biberones.
- Si desea lavar la cuchilla y los discos a mano, haga esto con mucho cuidado. Sosténgalos por el eje central. Procure no dejarlos en agua jabonosa, donde los puede perder de vista. De ser necesario, use un cepillo.
- No ponga el bol en el microondas.
- Limpie la base después de cada uso con un paño no abrasivo o una esponja humedecidos con agua jabonosa. Seque bien.
- Si los pies dejan marcas en la encimera, rocíe producto quitamanchas y restriegue con una esponja húmeda.
- Si esto no soluciona el problema, vuelva a limpiar la encimera con un limpiador en polvo no abrasivo.  
**IMPORTANTE:** Siempre use el eje de almacenamiento provisto. Nunca guarde la cuchilla/ los discos en el adaptador removible. Instale la cuchilla/el disco en el momento de usarlos solamente.  
**MANTENIMIENTO:** Cualquier otro servicio debe ser realizado por un técnico de servicio autorizado.

## PARA SU SEGURIDAD

Como todos los electrodomésticos, este aparato debe usarse con cuidado. Para evitar las lesiones resultantes de un mal uso, siga estas reglas de seguridad:

- Manipule la cuchilla de metal y los discos con sumo cuidado, y guárdelos en el eje de almacenamiento provisto ya que sus filos son muy afilados.
- Compruebe que el bol esté bloqueado antes de instalar el adaptador removible.
- Compruebe que la cuchilla o el disco estén debidamente asentados en el adaptador removible, lo más abajo posible.
- Siempre instale la cuchilla antes de colocar los ingredientes en el bol.
- Siempre use el empujador para empujar los alimentos; nunca introduzca los dedos ni una espátula en el tubo de alimentación.
- Siempre espere hasta que la cuchilla o el disco estén totalmente inmóviles antes de abrir la tapa o quitar el empujador.
- Siempre desenchufe el aparato antes vaciar el bol, limpiar el aparato e instalar/quitar piezas.
- Siempre retire el bol de la base antes de retirar la cuchilla o los discos.
- Tenga cuidado de no dejar caer la cuchilla o el disco al vaciar el bol. Retire el adaptador removible, junto con la cuchilla, antes de inclinar el bol.

## ESPECIFICACIONES TÉCNICAS

El motor de esta procesadora de alimento funciona con corriente estándar. Las especificaciones eléctricas del aparato están indicadas en la etiqueta situada debajo de la base.

Un interruptor de seguridad apagará automáticamente en motor en caso de sobrecalentamiento. Esto puede ocurrir cuando procesa mezclas espesas por un tiempo prolongado, o cuando usa el aparato sin interrupción por un tiempo excesivo. En caso de que esto suceda, apague y desenchufe el aparato, y deje que el motor se enfríe antes de continuar. Por lo general, esto toma 10 minutos (hasta una hora en casos extremos).

Un mecanismo de seguridad impide que el aparato se ponga en marcha a menos que el bol y la tapa estén asegurados. El motor de la procesadora se apaga muy rápidamente después de apagar el aparato y se detiene automáticamente al sacar el empujador.

Cuisinart ofrece una garantía limitada de tres años en este aparato.

## RESOLUCIÓN DE PROBLEMAS

### Problemas al procesar alimentos

- 1. Problema:** Los alimentos no se procesan uniformemente.

---

**Solución:**

- Corte los alimentos en pedazos uniformes de ½-1 in (1.5-.5 cm) antes de procesarlos.
- Procese los alimentos en varias veces para no sobrellenar el bol.

**2. Problema:** Las rebanadas no son uniformes o son sesgadas.

**Solución:**

- Coloque los alimentos en el tubo de alimentación con el lado cortado apuntando hacia abajo
- Procese, ejerciendo una presión uniforme en el empujador.

**3. Problema:** Los alimentos no se mantienen rectos en el tubo de alimentación.

**Solución:**

- Llène completamente el tubo de alimentación, pero sin apretar demasiado los alimentos.

**4. Problema:** Quedan pedazos de alimento en la parte superior del disco.

**Solución:**

- Esto es normal; corte los pedazos a mano y agréguelos a los alimentos procesados.

**5. Problema:** La cuchilla picadora/mezcladora/ amasadora universal está bloqueada y no puede quitarse.

**Solución:**

- Coloque el adaptador (junto con la cuchilla) en un bol lleno de agua tibia; esto aflojará las partículas de alimentos atrapadas entre la cuchilla y el adaptador. Retire el conjunto del agua, agarrándolo por el eje del adaptador. Sosteniendo el adaptador, coloque la cuchilla en la encimera y presione el adaptador; esto debería liberar la cuchilla del adaptador. Si aún no se puede quitar la cuchilla, vuelva a colocar el conjunto en agua tibia por unos minutos y repita el proceso.

**Problemas al amasar**

**1. Problema:** El motor se ralentiza.

**Solución:**

- Puede que la cantidad de masa exceda la capacidad máxima. Divida la masa en dos porciones y amase cada porción por separado.
- Puede que la masa sea demasiado húmeda (véase la sección “La masa está demasiado húmeda” a continuación). Si el motor acelera, siga procesando. En el caso contrario, agregue harina, una cucharada (5 g) a la vez, hasta que el motor acelere. Siga procesando hasta que la masa se desprenda de las paredes del bol.

**2. Problema:** La cuchilla no incorpora los ingredientes.

**Solución:**

- Siempre ponga la procesadora en marcha antes de agregar líquido. Agregue lentamente el líquido por el tubo de alimentación, cerciorándose de que los ingredientes secos absorban el líquido antes de agregar más. Si el líquido se añade demasiado rápido, espere hasta que los ingredientes se mezclen antes de agregar el líquido restante lentamente (sin apagar el aparato). Vierta el líquido por el tubo de alimentación en el momento preciso en que la masa pasa bajo este; procure no verter el líquido directamente en el fondo del bol.

**3. Problema:** La cuchilla no permanece en el fondo del bol.

**Solución:**

- Esto puede pasar si la masa está demasiado pegajosa. Con cuidado, vuelva a instalar la cuchilla y, después de encender el aparato, agregue inmediatamente 2 cucharadas (15 g) de harina por el tubo de alimentación.

**4. Problema:** La masa no deja el bol limpio.

**Solución:**

- Puede que la cantidad de masa exceda la capacidad máxima. Divida la masa en dos porciones y amase cada porción por separado.
- Puede que la masa sea demasiado seca (véase la sección “La masa está demasiado seca” a continuación).
- Puede que la masa sea demasiado húmeda (véase la sección “La masa está demasiado húmeda” a continuación).

**5. Problema:** La masa se enreda en la cuchilla y no está homogénea

**Solución:**

- Apague el aparato y, con cuidado, retire la masa del bol. Divida la masa en tres porciones y disponga estas uniformemente en el fondo del bol; siga amasando.

**6. Problema:** La masa parece dura.

**Solución:**

- Divida la masa en 2 o 3 porciones y disponga estas uniformemente en el fondo del bol. Amase por 10 segundos, o hasta obtener una masa suave y homogénea.

**7. Problema:** La masa está demasiado seca.

**Solución:**

- Encienda el aparato y agregue agua, 1 cucharada a la vez, hasta que la masa deje el bol limpio.

**8. Problema:** La masa está demasiado húmeda.

**Solución:**

- Encienda el aparato y agregue harina, 1 cucharada (5 g) a la vez, hasta que la masa deje el bol limpio.

**Problemas técnicos**

**1. Problema:** El motor no se enciende.

**Solución:**

- Un sistema de seguridad impide que el motor se encienda a menos que el aparato esté ensamblado de forma correcta. Compruebe que el bol y la tapa estén firmemente asegurados.
- Si esto no soluciona el problema, inspeccione el cable y la toma de corriente.

**2. Problema:** El aparato se apaga durante el uso.

**Solución:**

- Compruebe que la tapa esté bien cerrada.
- Un interruptor de seguridad apaga automáticamente en motor en caso de sobrecalentamiento, lo que puede ocurrir cuando procesa mezclas espesas/masas por un tiempo prolongado. En caso de que esto suceda, presione el botón PULSE/OFF, desenchufe el aparato y deje que se enfríe por 20-30 minutos antes de continuar.

**3. Problema:** El motor se ralentiza durante el funcionamiento.

**Solución:**

- Esto puede ocurrir cuando el motor hace mucha fuerza (p. ej., al rebanar/triturar queso). Simplemente reposicione los alimentos en el tubo de alimentación y siga procesando.
- Puede que la cantidad de alimentos exceda la capacidad máxima del bol. Quite parte de los ingredientes y siga procesando.

**4. Problema:** El aparato vibra/se mueve durante el uso.

**Solución:**

- Compruebe que los pies de caucho debajo de la base estén limpios y secos. También cerciórese de que la cantidad de alimentos no exceda la capacidad máxima del bol.
- Esto puede ocurrir cuando el motor hace mucha fuerza (p. ej., al rebanar/triturar queso).

# GARANTÍA

## Garantía limitada de tres años

Esta garantía es válida solo en los Estados Unidos, para los consumidores que hayan comprado este producto directamente a Cuisinart o a un revendedor autorizado de Cuisinart. Usted es un consumidor si posee una procesadora de alimentos de 7 tazas (1.65 L) Cuisinart® que haya sido comprada en una tienda para uso personal, familiar, o casero. A menos que la ley aplicable exija lo contrario, esta garantía no es para los minoristas u otros consumidores/compradores comerciales, ni propietarios/ consumidores que hayan comprado este producto a revendedores no autorizados por Cuisinart. Cuisinart garantiza este producto contra todo defecto de materiales o fabricación durante 3 años después de la fecha de compra original, siempre que haya sido usado para uso doméstico y de acuerdo con las instrucciones.

Se recomienda llenar el formulario de registro disponible en <https://cuisinart.registria.com> a fin de facilitar la verificación de la fecha de compra original de este producto. Sin embargo, no es necesario registrar el producto para recibir servicio bajo esta garantía. En ausencia de prueba de la fecha de compra, el período de garantía será calculado a partir de la fecha de fabricación del producto.

### RESIDENTES DE CALIFORNIA

La ley del estado de California ofrece dos opciones bajo el período de garantía. Los residentes del estado de California pueden devolver el producto defectuoso (A) a la tienda donde lo compraron o (B) a otra tienda que venda productos Cuisinart® de este tipo. La tienda podrá, a su elección, reparar el producto, referir al consumidor a un centro de servicio independiente, sustituir el producto, o reembolsar al consumidor el precio de compra menos la cantidad directamente atribuible al uso anterior del producto por el consumidor. Si estas dos opciones no satisfacen al consumidor, podrá llevar el aparato a un centro de servicio independiente, siempre que se pueda arreglar o reparar el aparato de manera económica. Cuisinart (no el consumidor) será responsable por los gastos de servicio, reparación, sustitución o reembolso de los productos defectuosos bajo garantía. Los residentes de California también pueden, si lo desean, mandar el producto defectuoso directamente a Cuisinart para que sea reparado o sustituido. Para esto, se debe llamar a nuestro servicio de atención al cliente al **1-800-726-0190**. Cuisinart será responsable por los gastos de reparación, reemplazo, manejo y envío de los productos defectuosos durante el período de garantía.



## **GARANTÍA DE REEMPLAZO SIN DIFICULTADES**

Sí máxima satisfacción es nuestra prioridad, así que si este producto Cuisinart® falla dentro del generoso período de garantía, lo repararemos o, de ser necesario, lo reemplazaremos, sin costo alguno para usted. Para obtener una etiqueta de devolución, por favor llene el formulario de solicitud disponible en <https://www.cuisinart.com/customer-care/product-assistance/product-inquiry/>. O llame a nuestro servicio de atención al cliente, al **1-800-726-0190**, para hablar con un representante.

Este producto satisface las más altas exigencias de fabricación y ha sido diseñado para uso con corriente de 120 V, usando accesorios y repuestos autorizados solamente. Esta garantía excluye expresamente los defectos o daños causados por accesorios, piezas o reparaciones no autorizados por Cuisinart, así como los defectos o daños causados por el uso de un convertidor de voltaje. Esta garantía no cubre el uso comercial o industrial del producto, y no es válida en caso de daños causados por mal uso, negligencia o accidente. Esta garantía excluye todos los daños incidentales o consecuentes. Algunos Estados no permiten la exclusión o limitación de daños incidentales o consecuentes, de modo que las limitaciones mencionadas pueden no regir para usted. Usted puede tener otros derechos que varían de un Estado a otro.

**Importante:** Si debe llevar el aparato defectuoso a un centro de servicio no autorizado, por favor informe al personal del centro de servicio que deben llamar al servicio de atención al cliente de Cuisinart, al **1-800-726-0190** a fin de diagnosticar el problema correctamente, usar las piezas correctas para repararlo, y comprobar que el producto aún esté bajo garantía.

# Cuisinart

Procesadora de alimentos de 7 tazas (1.65 L) Cuisinart®

## Libro de recetas



## Desayunos/Brunches

Pan de calabacín/calabacita con especias.....	15
Quiche de setas, espinaca y queso Gruyère.....	15-16
Bocaditos de huevo de col rizada y tomates secados al sol.....	17
“Hash browns” (croquetas de papas ralladas) .....	18
Tazón de “smoothie” tropical.....	18-19

## Salsas para mojar/cremas para untar

Mantequilla de chalote crujiente.....	19
Mantequilla de tocino-jarabe de arce.....	20
Queso crema con vegetales.....	20
Mantequilla de miel-nueces.....	21
Humus de calabaza de invierno.....	21-22
Salsa fresca.....	22
Guasacaca.....	22-23
Salsa para tacos en capas.....	23-24

## Salsa/Aderezos/Aliños

Salsa marinara/de pizza clásica.....	24
Pesto de tomates secados al sol y almendras.....	25
Pesto de albahaca.....	25-26
Alioli.....	26
Vinagreta griega.....	26-27
Aderezo César.....	27
Aderezo César vegano.....	27-28

## Sopas/Ensaladas/Acompañamientos

Gazpacho.....	28
Sopa de camote cargada.....	29
Ensalada griega.....	30
Ensalada de col picante.....	30-31
Ensalada “César” de coles de Bruselas rebanadas.....	31
Vegetales encurtidos rápidos.....	32
Panqueques de papa-calabacín-zanahoria.....	33
Arroz de coliflor frito.....	34

## Platos principales

Pizza hawaiana.....	35
Pizza Margarita.....	36
Salteado de vegetales.....	37
Salsa boloñesa de setas.....	38
“Pot pie” de pollo.....	39
Pollo adobado en salsa de cilantro-lima.....	40
Pasta primavera.....	41-42
Falafels con ensalada del Medio Oriente.....	42-43
Albóndigas de cordero.....	43-44
Hamburguesas “smash” de vegetales.....	44-45

## Panes/Masas

Pan rallado simple o sazonado .....	45
Masa de pizza .....	46
Masa de pizza sin gluten.....	46-47
Masa de coliflor para pizza.....	47
Masa de hojaldre ("pâte brisée") .....	48
Panecillos de suero de leche.....	48-49
Tortillas de harina .....	49

## Postres

Tarta ("pie") de manzana y arándanos agrios.....	50-51
"Helado" de banana con chispas de chocolate y salsa de mantequilla de maní.....	51
Galletas de mantequilla de pistacho.....	51-52
Pastel de queso marmolado de frambuesa .....	52-53
Crema de chocolate y avellanas .....	53-54

# Pan de calabacín/calabacita con especias

Este pan rápido y jugoso es perfecto para el desayuno o como refrigerio.

**Rinde:** 16 porciones; una barra de 2 lb (910 g)

---

## INGREDIENTES

	Spray vegetal		tostadas
2½	tazas (280 g) de harina común	1	calabacín/calabacita ("zucchini") grande de aprox. 8-10 oz (225-285 g)
1½	cucharaditas de canela en polvo		
¼	cucharadita de pimienta de Jamaica en polvo	½	taza (120 ml) de aceite vegetal
		1	taza (200 g) de azúcar granulada
¼	cucharadita de nuez moscada rallada	2	huevos grandes
1	cucharadita de sal kosher	½	taza (60 g) de arándanos agrios secos o cerezas pasas
1½	cucharaditas de polvo de hornear		
½	taza (70 g) de nueces, ligeramente		

---

## INSTRUCCIONES

1. Precalentar el horno a 325 °F (160 °C). Engrasar un molde para pan de 9 x 5 in (22 x 12 cm) con spray vegetal.
2. Instalar la cuchilla universal. Agregar la harina, las especias, la sal y el polvo de hornear y procesar por 10-15 segundos para tamizar. Colocar en un tazón grande; reservar. Colocar las nueces en el bol de la procesadora y pulsar 2-3 veces para picar. Dejando las nueces en el bol, sacar la cuchilla universal e instalar el disco triturador medio. Cortar los calabacines/calabacitas para que quepan en el tubo de alimentación y triturarlas. Colocar en el tazón, junto con los ingredientes secos; revolver para combinar.
3. Volver a instalar la cuchilla universal y colocar el aceite vegetal, el azúcar y los huevos en el bol. Procesar por 5-10 segundos para combinar. Agregar a la mezcla de ingredientes secos, junto con las frutas secas, y revolver brevemente para mezclar.
4. Verter la mezcla en el molde preparado y hornear por 1 hora y 15 minutos, hasta que un probador salga limpio.
5. Dejar enfriar en el molde por 5 minutos, y luego desmoldar (volteando el molde) y dejar enfriar completamente sobre una rejilla.

### **Información nutricional por porción:**

Calorías 194 (37 % de grasa) • Carbohidratos 28 g • Proteínas 3 g • Grasa 8 g • Grasa saturada 1 g • Colesterol 23 mg Sodio 183 mg • Calcio 14 mg • Fibra 1 g

# Quiche de setas, espinaca y queso Gruyère

Esta quiche es sorprendentemente sencilla de preparar, y se simplifica aún más con la ayuda de la procesadora de alimentos. Cerciórese de precocinar el fondo/la base de tarta antes de agregar el relleno para garantizar una base hojaldrada

**Rinde:** 12 porciones

## INGREDIENTES

	Harina común, según se necesite	¼	cucharadita de sal kosher
½	receta de masa de hojaldre (página 48)	1	pizca de pimienta negra recién molida
1	clara de huevo grande, ligeramente batida	¼	cucharadita de hojas de tomillo fresco
1	diente de ajo, pelado	1	taza (30 g) de espinaca tierna (espinaca “baby”) fresca
4	onzas (115 g) de champiñones comunes (también conocidos como champiñones cremi o champiñones de Paris), limpios	1	onza (30 g) de Gruyère o queso suizo
		½	taza (120 ml) de leche entera
		½	taza (120 ml) de crema líquida para batir (“heavy cream”)
1½	cucharaditas de aceite de oliva	4	huevos grandes

## INSTRUCCIONES

1. Estirar la masa con un rodillo hasta formar un círculo de aprox. 11 in (28 cm) de diámetro y ⅛ in (3 mm) de espesor en una superficie ligeramente enharinada. Colocar la masa en un molde de tartas de 9 in (22 cm). Presionar la masa suavemente en el fondo y las esquinas del molde, levantando los bordes. Cortar el exceso de masa con el rodillo. Presionar el borde de la masa con el pulgar para formar un borde redondeado de aprox. ⅛ in (3 mm) todo alrededor del molde. Refrigerar por aprox. 30 minutos.
2. Colocar la rejilla del horno en el centro del mismo y precalentar este a 400 °F (190 °C). Pinchar el fondo/la base varias veces con los dientes de un tenedor, teniendo cuidado de no perforar completamente la masa. Colocar una hoja de papel sulfurizado sobre la masa y llenar parcialmente con bolas de cerámica para hornear, frijoles secos o arroz crudo. Meter el fondo/la base de tarta al horno y hornear por aprox. 20 minutos, hasta que la masa debajo del papel sulfurizado esté seca. Quitar las bolas de cerámica y el papel sulfurizado, y volver a meter el fondo/la base de tarta al horno; hornear por aprox. 2 minutos adicionales, hasta que esté bien dorado. Cepillar inmediatamente con la clara batida; reservar. **Ajustar la temperatura del horno a 325 °F (165 °C).**
3. Mientras el fondo/la base de tarta se está horneando, preparar el relleno. Instalar la cuchilla universal. Encender el aparato y dejar caer el ajo en el tubo de alimentación; procesar hasta que esté finamente picado. Dejando el ajo picado en el bol, quitar la cuchilla universal e instalar el disco rebanador medio; rebanar las setas.
4. Poner el aceite a calentar a fuego medio-bajo, en una sartén mediana. Cuando el aceite esté caliente, agregar el ajo, una pizca de la sal y la pimienta. Saltear el ajo hasta que esté suave y fragante, sin permitir que se dore. Agregar las setas, la sal restante y el tomillo. Saltear hasta que las setas empiecen a dorarse y estén suaves. Agregar la espinaca y cocinar hasta que se marchite, revolviendo continuamente. Retirar del fuego y reservar.
5. Quitar el disco e instalar el disco triturador fino; triturar el queso Gruyère. Reservar.
6. Quitar el disco e instalar la cuchilla universal. Colocar la leche, la crema y los huevos en el bol; procesar por aprox. 20 segundos para combinar; reservar.

7. Esparcir la mezcla de setas/espinaca en el fondo de tarta, cubrir con la mezcla de huevo y rociar con el queso. Nota: Puede que sobre mezcla de huevo; no sobrellene la tarta.
8. Meter con cuidado al horno. Hornear por 20-22 minutos, hasta que el relleno esté cuajado.
9. Dejar enfriar por aprox. 5 minutos antes de cortar y servir.

**Información nutricional por porción:**

Calorías 181 (71 % de grasa) • Carbohidratos 9 g • Proteínas 4 g • Grasa 14 g • Grasa saturada 8 g • Colesterol 99 mg  
Sodio 181 mg • Calcio 50 mg • Fibra 0 g

## Bocaditos de huevo de col rizada y tomates secados al sol

Ideales para el desayuno, estos bocaditos de huevo son la opción ideal para llevar.

**Rinde:** 9 bocaditos de huevo

### INGREDIENTES

	3onzas (85 g) de queso Fontina	1	cucharadita de sal kosher
1	diente de ajo, pelado	6	huevos grandes
3	tazas (360 g) de tomates secados al sol (preferiblemente no en aceite)	2	tazas (475 ml) de yogur griego natural de leche entera
4	hojas grandes de col rizada "lacinato", sin los tallos duros	¼	cucharadita de pimienta negra recién molida
1½	cucharaditas de aceite de oliva		

### INSTRUCCIONES

1. Colocar la rejilla del horno en el centro del mismo y precalentar este a 225 °F (190 °C).
2. Instalar el disco triturador medio; triturar el queso Fontina. Reservar.
3. Quitar el disco e instalar la cuchilla universal. Encender el aparato y dejar caer el ajo en el tubo de alimentación; procesar hasta que esté finamente picado. Agregar los tomates secados al sol y pulsar 5-6 veces para picar. Reservar. Quitar la cuchilla e instalar el disco rebanador medio. Hacer un rollo con las hojas de col y rebanarlas. Reservar, en un tazón.
4. Poner el aceite a calentar a fuego medio/medio-lento a medio, en una sartén mediana. Cuando el aceite esté caliente, agregar el ajo, los tomates secados al sol y una pizca de la sal. Saltear el ajo hasta que esté suave y fragante, sin permitir que se dore. Agregar la col y saltear hasta que adquiera un color vivo y se marchite; reservar.
5. Instalar la cuchilla universal en el bol. Colocar los huevos, el yogurt, la pimienta y la sal restante en el bol; procesar por aprox. 15 segundos para combinar. Reservar.
6. Esparcir uniformemente la mezcla de vegetales en el fondo de 9 moldes para muffins antiadherentes y rociar con el queso triturado. Dividir la mezcla de huevo entre los moldes, llenando cada uno hasta los tres cuartos. Revolver la mezcla con un palillo para distribuir uniformemente los ingredientes.
7. Hornear por 25-30 minutos, hasta que un probador salga limpio.
8. Dejar enfriar ligeramente sobre una rejilla antes de servir. Refrigerar por un máximo de 5 días, en un recipiente hermético.

**Consejo:** Para recalentar los bocaditos de huevo, colocarlos en un plato apto para microondas y recalentar al microondas por 30 segundos (o calentar en un horno tostador por 2 minutos).

**Información nutricional por bocadito de huevo:**

Calorías 110 (58 % de grasa) • Carbohidratos 4 g • Proteínas 8 g • Grasa 7 g • Grasa saturada 3 g • Colesterol 135 g  
Sodio 446 g • Calcio 102 mg • Fibra 1 g

# “Hash browns” (croquetas de papas ralladas)

La procesadora de alimentos ralla las papas en segundos para conseguir esta deliciosa guarnición.

Rinde: 4 porciones

**Rinde:** 4 hamburguesitas

---

## INGREDIENTES

1	libra (455 g) de papas Russet, peladas y cortadas a lo largo en 8 rodajas	1¼	cucharaditas de sal kosher
1	cebolleta (“scallion”), en trozos de 2 in (5 cm)	1	pizca de pimienta negra recién molida
		¼	taza (60 ml) de aceite vegetal

---

## INSTRUCCIONES

1. Instalar el disco triturador fino; triturar las papas. Colocar las papas trituradas sobre una toalla limpia y exprimir para eliminar el exceso de líquido.
2. Quitar el disco e instalar la cuchilla universal. Colocar la cebolleta en el bol y pulsar 10-12 veces para picar finamente.
3. Colocar las papas, la cebolleta, la sal y la pimienta en un tazón grande; revolver.
4. Dividir la mezcla de papas en 4 porciones uniformes. Usar sus manos para formar croquetas/tortitas.
5. Poner el aceite a calentar a fuego medio, en una sartén de fondo grueso grande. Cuando el aceite esté caliente (un pedacito de papa crepitará inmediatamente), colocar con cuidado las croquetas en él. Cocinar por aprox. 3 minutos sin tocar, y luego voltear con cuidado y cocinar por 3 minutos adicionales. Ajustar el fuego para que las croquetas crepiten constantemente.
6. Cuando ambos lados de las croquetas estén bien dorados, pasarlas a un plato forrado con papel absorbente. Servir.

### **Información nutricional por porción de 1 croqueta:**

Calorías 170 (44 % de grasa) • Carbohidratos 21 g • Proteínas 2 g • Grasa 8 g • Grasa saturada 2 g • Colesterol 0 mg  
Sodio 828 mg • Calcio 16 mg • Fibra 2 g

---

# Tazón de “smoothie” tropical

Repleto de vitaminas y antioxidantes, este tazón tropical es una excelente manera de empezar el día.

**Rinde:** 2 porciones

---

## INGREDIENTES

1	banana madura	½	taza (150 g) de cubos de piña congelados
2	paquetes 3.5 oz (100 g) de puré de açaí congelado, en pedazos de 1 in (2.5 cm)	1	taza (250 g) de frutas del bosque frescas
½	taza (100 g) de cubos de mango congelados	½	taza (75 g) de granola, nueces y semillas, o de las coberturas deseadas

---

## INSTRUCCIONES

1. Instalar la cuchilla universal. Colocar la banana, el açaí, el mango y la piña en el bol.
  2. Pulsar 5-6 veces para picar, y luego procesar por 2 minutos hasta conseguir una mezcla cremosa.
-



3. Verter en 2 cuencos y cubrir uniformemente con ½ taza (100 g) de frutas del bosque y ¼ de taza (50 g) de una mezcla de granola, nueces y semillas (o de la cobertura deseada).

4. Servir inmediatamente.

#### **Información nutricional por porción:**

Calorías 334 (27 % de grasa) • Carbohidratos 61 g • Proteínas 5 g • Grasa 11 g • Grasa saturada 3 g • Colesterol 0 mg  
Sodio 71 mg • Calcio 32 mg • Fibra 12 g

## Mantequilla de chalote crujiente

La primera etapa de este receta es preparar los chalotes crujientes.

Sobrarán chalotes crujientes, así que use el resto para otros usos, como rociar ensaladas, tazones de cereales o sopa.

**Rinde:** Aprox. ½ taza

### INGREDIENTES

#### **Chalotes crujientes**

2 chalotes medianos, pelados  
½-½ taza (80-120 ml) de aceite vegetal  
1 pizca grande de sal kosher

#### **Mantequilla aromatizada**

8 cucharadas (115 g) de mantequilla sin sal de buena calidad, a temperatura ambiente, en 4 pedazos  
1 cucharadita de tomillo fresco  
¼-¾ cucharadita de sal kosher, a gusto  
1 pizca de pimienta negra recién molida

### INSTRUCCIONES

1. Preparar los chalotes crujientes: Instalar el disco rebanador fino; rebanar los chalotes y pasarlos a un tazón apto para microondas. Agregar el aceite, cerciorándose de que cubra completamente los chalotes. Nota: Empezar con ½ de taza (80 ml) y añadir la cantidad necesaria, hasta un máximo de ½ taza (120 ml). Meter al microondas y cocinar por 5 minutos, usando el nivel de potencia alto. Seguir cocinando por 1-1½ minutos, en incrementos de 30 segundos, hasta que estén dorados. Nota: Es importante usar ciclos cortos para evitar quemar los chalotes. Cuando estén dorados, colar con un colador de malla fina y colocar los chalotes en un plato forrado con papel absorbente. Secar bien con más papel absorbente y sazonar con sal. Reservar 3 cucharadas de los chalotes para la mantequilla y conservar el resto a temperatura ambiente, en un recipiente hermético.
2. Quitar el disco e instalar la cuchilla universal. Colocar la mantequilla en el bol. Procesar hasta que esté suave, y luego agregar 3 cucharadas de chalotes crujientes y ¼ de cucharadita de sal. Pulsar, usando pulsaciones largas y parando para raspar el bol cuando sea necesario, hasta que los ingredientes estén incorporados pero no completamente suaves. Probar y agregar más sal si desea. Colocar sobre una hoja de papel sulfurizado. Formar un cilindro y envolver en papel sulfurizado, y luego en papel film/plástico. Refrigerar hasta que esté firme.

#### **Información nutricional por porción de 1 cucharada:**

Calorías 108 (97 % de grasa) • Carbohidratos 1 g • Proteínas 0 g • Grasa 12 g • Grasa saturada 8 g • Colesterol 30 mg  
Sodio 143 mg • Calcio 2 mg • Fibra 0 g

# Mantequilla de tocino-jarabe de arce

Repleta de los mejores sabores del desayuno, esta mantequilla es ideal para acompañar alimentos dulces, tal como waffles/gofres, o artículos salados, tales como los bizcochos. Incluso es perfecta para revolver en sopas.

**Rinde:** Aprox. ½ taza

## INGREDIENTES

8	cucharadas (115 g) de mantequilla sin sal, a temperatura ambiente	2	lonchas de tocino, picado y cocinado (aprox. 2 cucharadas)
		2	cucharaditas de jarabe de arce/maple puro

## INSTRUCCIONES

1. Instalar la cuchilla universal. Colocar la mantequilla en el bol; pulsar para suavizar. Agregar los ingredientes restantes. Pulsar unas cuantas veces, parando para raspar el bol cuando sea necesario, y luego procesar por 5 segundos hasta conseguir una mezcla muy cremosa.
2. Colocar sobre una hoja de papel sulfurizado. Formar un cilindro y envolver en papel sulfurizado, y luego en papel film/plástico. Refrigerar hasta que esté firme.

### **Información nutricional por porción de 1 cucharada:**

Calorías 71 (38 % de grasa) • Carbohidratos 2 g • Proteínas 2 g • Grasa 3 g • Grasa saturada 0 g • Colesterol 0 mg Sodio 159 mg • Calcio 35 mg • Fibra 0 g

# Queso crema con vegetales

Esta crema para untar llena de color y textura no solo puede usarse en bagels; también puede acompañar galletas saladas, sándwiches, e incluso papas al horno.

**Rinde:** Aprox. 1½ tazas

½	zanahoria mediana, pelada y cortada en trozos de ½ in (1.5 cm)	1	cucharada de hojas perejil italiano fresco
½	pimiento dulce rojo grande, en pedazos de ½ in (1.5 cm)	8	onzas (225 g) de queso crema, a temperatura ambiente, en 8 pedazos
1	cebollita ("scallion"), en pedazos de ½ in (1.5 cm)	½-1	cucharadita de jugo de limón fresco
		½	cucharadita de sal kosher

## INSTRUCCIONES

Instalar la cuchilla universal. Colocar la zanahoria, el pimiento rojo, las cebolletas y el perejil en el bol; pulsar 5-6 veces para picar. Agregar el queso crema, el jugo de limón (a gusto) y la sal; pulsar 10-12 veces, hasta que esté suave (raspar el bol entre las pulsaciones si es necesario). Refrigerar, en un recipiente hermético.

### **Información nutricional por porción de 1 cucharada:**

Calorías 35 (85 % de grasa) • Carbohidratos 1 g • Proteínas 1 g • Grasa 3 g • Grasa saturada 2 g • Colesterol 10 mg Sodio 79 mg • Calcio 1 mg • Fibra 0 g

# Mantequilla de miel-nueces

Perfecta para acompañar sus smoothies, bagels o avena.

**Rinde:** Aprox. 1 taza

---

## INGREDIENTES

1	taza (200 g) de almendras crudas	2	cucharadas (30 ml) de aceite vegetal
½	cucharadita de sal kosher, a gusto	4	cucharaditas de miel de trébol (más si necesita)

---

## INSTRUCCIONES

1. Precalentar el horno a 350 °F (175 °C). Esparcir las almendras en una placa para horno y tostar por 8-10 minutos, hasta que estén doradas y fragantes. Sacar del horno y dejar enfriar sobre una rejilla.
2. Instalar la cuchilla universal. Agregar las almendras (frías). Pulsar 5-6 veces para picar. Encender el aparato y agregar lentamente el aceite y la miel; procesar hasta conseguir una mezcla suave.
3. Probar y ajustar la sal o la miel al gusto. Refrigerar por un máximo de dos semanas, en un recipiente hermético.

### **Información nutricional por porción de 2 cucharadas:**

Calorías 72 (72 % de grasa) • Carbohidratos 3 g • Proteínas 2 g • Grasa 6 g • Grasa saturada 0 g • Colesterol 0 mg  
Sodio 73 mg • Calcio 24 mg • Fibra 1 g

# Humus de calabaza de invierno

Una forma estupenda de dar color a una tabla de aperitivos, este vibrante hummus tiene todos los sabores tradicionales que cabría esperar, con el dulce añadido de la calabaza de invierno.

**Rinde:** 2¼ tazas

---

## INGREDIENTES

1½	libras (680 g) de calabaza de invierno, p. ej. calabaza moscada o Delicata	1	cucharada de Tahini (pasta de sésamo)
¼	taza (60 ml) de aceite de oliva virgen extra + más para rociar	1½	cucharadas de jugo de limón fresco
½	cucharadita de sal kosher	1	pizca de hojuelas de pimiento rojo
2	dientes de ajo, machacados	1	pizca de pimienta negra recién molida
1	taza (60 g) de garbanzos, escurridos y enjuagados		Semillas de calabaza tostadas, para decorar (opcional)
			Pan pita, para servir

---

## INSTRUCCIONES

1. Colocar la rejilla del horno en el centro del mismo y precalentar este a 350 °F (230 °C). Cortar la calabaza por la mitad y retirar las semillas. Rociar con 2 cucharaditas del aceite de oliva y 2 pizcas grandes de sal.
2. Colocar las mitades de calabaza en una bandeja para asar, el lado cortado apuntando hacia abajo. Meter 1 diente de ajo debajo de cada mitad. Asar hasta que la calabaza esté muy suave (aprox. 45 minutos para calabaza moscada o 20 minutos para calabaza Delicata). Quitar la carne de la calabaza con una cuchara. Instalar la cuchilla universal. Colocar la carne de la calabaza y el ajo en el bol. Agregar los garbanzos, la salsa Tahini, el aceite de oliva restante, el jugo de limón, la sal restante, la pimienta y las hojuelas de pimiento.

Procesar por aprox. 2 minutos, hasta conseguir una mezcla suave. Si desea que el humus sea menos espeso, agregar ½ taza (60 ml) de agua mientras procesa.

3. Probar y ajustar la sazón al gusto.

4. Colocar el humus en un plato o cuenco de servir. Decorar con semillas de calabaza y servir con pan pita. Refrigerar las sobras por un máximo de 1 semana, en un recipiente hermético.

**Información nutricional por porción de ¼ de taza (60 ml):**

Calorías 102 (54 % de grasa) • Carbohidratos 11 g • Proteínas 2 g • Grasa 7 g • Grasa saturada 1 g • Colesterol 0 mg  
Sodio 119 mg • Calcio 44 mg

## Salsa fresca

Esta salsa vibrante está lista en segundos gracias a la procesadora de alimentos.

**Rinde:** Aprox. 1½ tazas (355 ml)

### INGREDIENTES

1	diente de ajo pequeño	1	pinta (475 g) de tomates de pera
1	jalapeño pequeño, sin semillas, en rodajas de 1 in (2.5 cm)	¼	taza (35 g) de hojas de cilantro fresco
1	cebollita ("scallion"), en trozos de 1 in (2.5 cm)	1	cucharadita de jugo de lima/limón verde fresco
		½-¾	cucharadita de sal kosher

### INSTRUCCIONES

1. Instalar la cuchilla universal. Encender el aparato y dejar caer el ajo y el jalapeño en el tubo de alimentación; procesar hasta que estén finamente picados. Raspar el bol.
2. Agregar el resto de los ingredientes y pulsar aprox. 7-8 veces para picar.
3. Colar para eliminar el exceso de líquido antes de servir. Probar y ajustar la sazón al gusto.

**Información nutricional por cucharada:**

Calorías 8 (9 % de grasa) • Carbohidratos 2 g • Proteínas 0 g • Grasa 0 g • Grasa saturada 0 g • Colesterol 0 mg  
Sodio 170 mg • Calcio 4 mg • Fibra 0 g

## Guasacaca

Salsa de aguacate de la gastronomía de Venezuela, parecida al guacamole.

**Rinde:** 2 tazas

### INGREDIENTES

2	dientes de ajo, pelados	1	cucharada (15 ml) de aceite de oliva
3	tomatillos de 7-8 oz (200-225 g), en cuartos	½	taza (15 g) de hojas de cilantro fresco
1	jalapeño pequeño, sin semillas y partido por la mitad	¼	taza (15 g) de perejil fresco
1	cebolla pequeña de 2-3 oz (55-85 g), en pedazos de 2 in (5 cm)	1	aguacate maduro, partido a la mitad
1		2	cucharadas (30 ml) de jugo de lima/limón verde fresco
1½	cucharaditas de sal kosher	2	cucharadas de vinagre blanco
		½	taza (120 ml) de agua

---

## INSTRUCCIONES

1. Precalentar el horno a 400 °F (200 °C).
2. Revolver el ajo, los tomatillos, el jalapeño y la cebolla con el aceite de ½ cucharadita de la sal. Disponer en una placa para horno y asar por aprox. 30 minutos, hasta que los vegetales estén suaves y muy dorados. Dejar enfriar a temperatura ambiente.
3. Instalar la cuchilla universal y colocar los vegetales asados, el cilantro y el perejil en el bol; pulsar hasta conseguir una mezcla casi suave.
4. Raspar el bol y agregar el aguacate, el jugo de lima, el vinagre y la sal restante; pulsar 10-12 veces, hasta que la mezcla esté casi suave.
5. Encender el aparato y verter el agua por el tubo de alimentación.
6. Ajustar la sazón a gusto. Servir inmediatamente.

### **Información nutricional por porción de 2 cucharadas:**

Calorías 52 (80 % de grasa) • Carbohidratos 2 g • Proteínas 0 g • Grasa 5 g • Grasa saturada 3 g • Colesterol 0 mg  
Sodio 202 mg • Calcio 6 mg • Fibra 1 g

## Salsa para tacos en capas

La procesadora de alimentos es la herramienta perfecta para crear este plato de fiesta por excelencia. Desde picar hasta rebanar y triturar, Cuisinart se encarga de todo.

**Rinde:** 6 porciones

---

## INGREDIENTES

8	onzas (225 g) de queso crema, a temperatura ambiente, en 8 pedazos	4	cebolletas ("scallions"), partidas a la mitad
1	lata de 16 oz (455 g) de frijoles refritos	½	aguacate maduro pero firme, pelado y en un pedazo grande
4	onzas (115 g) de queso Cheddar o Monterrey Jack, helado	½	taza de salsa fresca (página 22)
1	taza (150 g) de tomates de pera	½	lima/lima/limón verde, para servir
½	taza (100 g) de aceitunas negras deshuesadas	2	cucharadas de hojas de cilantro, para servir
2	jalapeños (partir a lo largo y quitar las semillas si desea que la salsa sea menos picante)		Chips de maíz/totopos, para servir

---

## INSTRUCCIONES

1. Precalentar el horno a 400 °F (200 °C).
2. Instalar la cuchilla universal. Colocar el queso crema en el bol y procesar hasta obtener una mezcla suave. Colocar en una tartera. Cubrir con los frijoles refritos.
3. Quitar la cuchilla universal e instalar el disco triturador medio; triturar el queso. Rociar uniformemente por encima de los frijoles. Hornear por aprox. 8 minutos, hasta que el queso esté derretido.
4. Preparar las coberturas: Voltar el disco y rebanar los tomates, las aceitunas, los jalapeños, las cebolletas y el aguacate.

5. Cuando el queso esté derretido, retirar la base de la salsa del horno. Cubrir con la salsa fresca y, a continuación, añadir los ingredientes rebanados. Rociar con jugo de lima y decorar con cilantro. Servir con chips de maíz/totopos calientes.

**Información nutricional por porción (salsa solamente):**

Calorías 321 (63 % de grasa) • Carbohidratos 19 g • Proteínas 12 g • Grasa 23 g • Grasa saturada 12 g • Colesterol 61 mg • Sodio 794 mg • Calcio 210 mg • Fibra 6 g

## Salsa marinara/de pizza simple

Esta salsa fácil y rápida puede convertirse fácilmente en salsa de pizza.

**Rinde:** Aprox. 2½ tazas (590 ml) de salsa marinara o 2 tazas (475 ml) de salsa de pizza

### INGREDIENTES

1	cucharada (15 ml) de aceite de oliva	½	cucharadita de sal kosher
4	dientes de ajo, pelados	¼	cucharadita de pimienta negra recién molida
¾	cucharadita de albahaca seca		
½	cucharadita de orégano seco	1-2	cucharadas (10-25 g) de azúcar granulada
2	cucharadas de vino blanco seco (opcional)	¼	cucharadita de hojuelas de pimienta roja (opcional, para una salsa más picante)
1	lata de 28 oz (795 g) de tomates italianos enteros, con jugo		

### INSTRUCCIONES

1. Calentar el aceite de oliva a fuego medio-bajo, en una cacerola grande.
2. Instalar la cuchilla universal. Encender el aparato y dejar caer el ajo en el tubo de alimentación; procesar hasta que esté finamente picado.
3. Cuando el aceite esté caliente, agregar el ajo picado, la albahaca y el orégano a la cacerola. Saltear por aprox. 1 minuto, hasta que el ajo esté fragante. Agregar el vino (opcional) y cocinar por 3-4 minutos, hasta evaporarse casi por completo.
4. Colocar los tomates en el bol y pulsar 6-8 veces para picar. Agregar los tomates picados, la sal y la pimienta a la cacerola.
5. Calentar la salsa hasta que empiece a hervir, y luego reducir el fuego. Agregar 1 cucharada (10 g) del azúcar (a gusto). Tapar parcialmente la cacerola y hervir a fuego lento por aprox. 30 minutos, hasta que se reduzca ligeramente. Para preparar salsa de pizza, cocinar por 30 minutos adicionales.
6. Cuando la salsa esté lista, agregar las hojuelas de pimienta (opcional). Probar y ajustar la sazón al gusto.

#### Salsa marinara

**Información nutricional por porción de ¼ de taza:**

Calorías 38 (33 % de grasa) • Carbohidratos 5 g • Proteínas 0 g • Grasa 1 g • Grasa saturada 0 g • Colesterol 0 mg • Sodio 286 mg • Calcio 17 mg • Fibra 1 g

#### Salsa de pizza

**Información nutricional por porción de 2 cucharadas:**

Calorías 24 (33 % de grasa) • Carbohidratos 3 g • Proteínas 0 g • Grasa 1 g • Grasa saturada 0 g • Colesterol 0 mg • Sodio 179 mg • Calcio 11 mg • Fibra 0 g

# Pesto de tomates secados al sol y almendras

Deje que la procesadora de alimentos haga todo el trabajo y prepare esta sabrosa salsa en minutos.

**Rinde:** 2 tazas

## INGREDIENTES

¾	taza (70 g) almendras	1	cucharada de orégano fresco
1	onza (30 g) de queso Parmesano, en cubos de ½ in (1.5 cm)	1	cucharada de vinagre de vino tinto
1	diente de ajo, pelado	2	cucharaditas de tomillo fresco
¼	taza (30 g) de tomates secados al sol (preferiblemente no en aceite)	1	cucharadita de sal kosher
¼	taza llena (15 g) de perejil fresco	¼	cucharadita de pimienta negra recién molida
		1	taza (235 ml) de aceite de oliva

## INSTRUCCIONES

1. Precalentar el horno a 350 °F (175 °C). Esparcir las almendras en una placa para horno y tostar por 8-10 minutos, hasta que estén doradas y fragantes. Sacar del horno y dejar enfriar sobre una rejilla.
2. Instalar la cuchilla universal. Colocar las almendras, el queso y el ajo en el bol; procesar por aprox. 10 segundos para picar. Agregar los tomates, el perejil, el orégano, el vinagre, el tomillo, la sal y la pimienta; pulsar 10-15 veces para picar. Encender el aparato y agregar lentamente el aceite por el tubo de alimentación; procesar por aprox. 1 minuto para emulsionar. Raspar el bol. Para conseguir una consistencia menos espesa, simplemente agregar más aceite o agua.
2. Colocar la mezcla en un tarro de vidrio o un recipiente hermético, dar golpecitos para eliminar las burbujas de aire y aplanar la superficie. El pesto dura hasta 5 días en el refrigerador o hasta 2 meses en el congelador.

### **Información nutricional por porción de 1 cucharada:**

Calorías 84 (90 % de grasa) • Carbohidratos 1 g • Proteínas 1 g • Grasa 9 g • Grasa saturada 1 g • Colesterol 1 mg  
Sodio 97 mg • Calcio 21 mg • Fibra 0 g

# Pesto de albahaca

Esta versión contiene más queso que el pesto tradicional, pero puede ajustar la cantidad de queso al gusto.

**Rinde:** 1¼ tazas

## INGREDIENTES

2	onzas (55 g) de queso Parmesano o Pecorino, en cubos de ½ in (1.5 cm)	3	onzas (85 g) de hojas de albahaca fresca
¼	taza (35 g) de piñones, ligeramente tostados	½	cucharadita de sal kosher
1	diente de ajo, pelado	½-¾	taza (120-160 ml) de aceite de oliva virgen extra

## INSTRUCCIONES

1. Instalar la cuchilla universal. Colocar el queso, las nueces y el ajo en el bol; pulsar aprox. 10 veces para picar. Agregar la albahaca y la sal; pulsar 10-15 veces y raspar el bol. Encender el aparato y agregar lentamente el aceite por el tubo de alimentación; procesar por aprox. 1 minuto para emulsionar. Raspar el bol.

2. Para conservar el pesto: Colocarlo en un tarro de vidrio o en un recipiente hermético. Dar golpecitos para eliminar las burbujas de aire de la superficie. Cubrir la superficie directamente con papel film/plástico y refrigerar. El pesto dura hasta 5 días en el refrigerador o hasta 2 meses en el congelador.

**Información nutricional por porción de 1 cucharada:**

Calorías 72 (80 % de grasa) • Carbohidratos 0 g • Proteínas 1 g • Grasa 8 g • Grasa saturada 1 g • Colesterol 2 mg  
Sodio 74 mg • Calcio 40 mg • Fibra 0 g

## Alioli

Esta mayonesa con sabor a ajo es perfecta para mojar o usar en sándwiches.

**Rinde:** 1 taza

### INGREDIENTES

2	dientes de ajo, pelados	1	cucharadita de mostaza de Dijon
4	yemas de huevo grande	1	taza (235 ml) de aceite de oliva
1	cucharada (15 ml) de jugo de limón fresco	¾	taza (175 ml) de aceite vegetal o de aceite de semilla de uva

### INSTRUCCIONES

1. Instalar el disco triturador fino; triturar el ajo.
2. Quitar el disco, raspando el ajo acumulado debajo del mismo (dejar el ajo en el bol). Instalar la cuchilla universal. Colocar las yemas, el jugo de limón, y la mostaza en el bol.
3. Encender el aparato y agregar muy lentamente (empezar gota a gota) los aceites por el tubo de alimentación; procesar hasta que la mezcla esté completamente emulsionada. Refrigerar por un máximo de 4 días, en un recipiente hermético. Nota: El sabor a ajo se acentuará con el tiempo.

**Información nutricional por porción de 1 cucharada:**

Calorías 225 (98 % de grasa) • Carbohidratos 0 g • Proteínas 1 g • Grasa 26 g • Grasa saturada 3 g • Colesterol 46 mg • Sodio 10 mg • Calcio 6 mg • Fibra 0 g

## Vinagreta griega

Perfecta para acompañar nuestra ensalada griega (página 30) o cualquier ensalada verde, así como para adobar pollo o pescado.

**Rinde:** Aprox. 2/3 de taza

### INGREDIENTES

1	diente de ajo, pelado	½	cucharadita de mostaza de Dijon
2	cucharadas de vinagre de vino tinto	1	cucharadita de sal kosher
2	cucharadas de jugo de limón fresco	½	cucharadita de pimienta negra recién molida
½	taza (120 ml) de aceite de oliva virgen extra	½	cucharada de orégano fresco

### INSTRUCCIONES

1. Instalar la cuchilla universal. Encender el aparato y dejar caer el ajo en el tubo de alimentación; procesar hasta que esté finamente picado. Agregar el vinagre, el jugo de limón, la mostaza, la sal y la pimienta; procesar para combinar.
2. Encender el aparato y agregar el aceite por el orificio en el empujador; procesar por 1½-2 minutos para emulsionar. Agregar el orégano y pulsar unas cuantas veces para combinar.



### Información nutricional por porción de 1 cucharada:

Calorías 98 (97 % de grasa) • Carbohidratos 1 g • Proteínas 0 g • Grasa 11 g • Grasa saturada 1 g • Colesterol 0 mg  
Sodio 235 mg • Calcio 5 mg • Fibra 0 g

## Aderezo César

Existen muchas variaciones de esta receta. Nuestra receta es muy parecida a la versión clásica. Si no desea usar huevos frescos, puede usar sustituto de huevo pasteurizado.

**Rinde:** Aprox. 1 taza

### INGREDIENTES

2	dientes de ajo, pelados	4	cucharaditas de vinagre de vino tinto
6	filetes de anchoa	2	cucharaditas de salsa Worcestershire
2	yemas de huevo grande	½	cucharadita de pimienta negra recién molida
2	cucharaditas de mostaza de Dijon		
4	cucharaditas de jugo de limón fresco	⅔	taza (160 ml) de aceite de oliva virgen extra

### INSTRUCCIONES

1. Instalar la cuchilla universal. Encender el aparato y dejar caer el ajo en el tubo de alimentación; procesar hasta que esté finamente picado. Agregar las anchoas, las yemas, la mostaza, el jugo de limón, el vinagre, la salsa Worcestershire y la pimienta. Procesar hasta conseguir una mezcla homogénea.
2. Encender el aparato otra vez y agregar lentamente el aceite por el orificio en el empujador; procesar por aprox. 30 segundos para emulsionar.

### Información nutricional por porción de 1 cucharada:

Calorías 91 (95 % de grasa) • Carbohidratos 1 g • Proteínas 1 g • Grasa 10 g • Grasa saturada 2 g • Colesterol 24 mg  
Sodio 60 mg • Calcio 4 mg • Fibra 0 g

## Aderezo César vegano

Una alternativa vegana más saludable al tradicional aderezo César, esta receta omite las yemas y las anchoas, pero consigue su cremosidad de los anacardos remojados, y su sabor “umami” de la salsa de soja.

**Rinde:** Aprox. ¾ de taza

### INGREDIENTES

½	taza (50 g) de anacardos/acañús/marañones/castañas de cajú crudos, remojados en agua fría por una noche	1	diente de ajo, pelado
		2	cucharaditas de alcaparras
¼	taza (60 ml) de agua (usar más si es necesario)	½	cucharadita de pimienta negra recién molida
1	cucharada de jugo de limón fresco	1	pizca de sal kosher (o más, al gusto)
1½	cucharaditas de mostaza de Dijon	2	cucharadas de aceite de oliva virgen extra
2	cucharaditas de salsa de soya baja en sodio		

## INSTRUCCIONES

1. Instalar la cuchilla universal.
2. Escurrir y enjuagar los anacardos. Colocar todos los ingredientes excepto el aceite de oliva en el bol; procesar para combinar. Sin apagar el aparato, agregar lentamente el aceite de oliva por el orificio en el empujador. Después de haber incorporado todo el aceite, procesar por un minuto adicional hasta conseguir una consistencia muy suave.
3. Si el aderezo es demasiado espeso, agregar más agua, una cucharada a la vez, procesando después de cada adición.
4. Probar y agregar sal si desea.

### **Información nutricional por porción de 2 cucharadas:**

Calorías 64 (62 % de grasa) • Carbohidratos 5 g • Proteínas 2 g • Grasa 5 g • Grasa saturada 1 g • Colesterol 0 mg Sodio 1780 mg • Calcio 48 mg • Fibra 2 g

## Gazpacho

Esta sabrosa sopa fría de origen andaluz es perfecta durante el verano.

**Rinde:** 3½ tazas

## INGREDIENTES

1	diente de ajo, pelado	¼	taza (15 g) de hojas de perejil italiano fresco
1	jalapeño, sin semillas, en pedazos de 1 in (2.5 cm)	1	cucharadita de sal kosher
2	tomates medianos maduros, sin semillas, en pedazos de 1 in (2.5 cm)	¼	cucharadita pimienta negra recién molida
½	pepino mediano a grande, sin semillas, en pedazos de 1 in (2.5 cm)	1	cucharadita de vinagre de vino tinto
2	cebolletas ("scallions"), en trozos de 1 in (2.5 cm)	1	cucharadita de jugo de lima/limón verde fresco
¼	pimiento dulce amarillo, en pedazos de 1 in (2.5 cm)	3	pizcas de salsa picante
¼	pimiento dulce rojo, en pedazos de 1 in (2.5 cm)	1½	tazas (355 ml) de jugo de vegetales bajo en sodio

## INSTRUCCIONES

1. Instalar la cuchilla universal. Encender el aparato y dejar caer el ajo y el jalapeño en el tubo de alimentación; procesar hasta que estén picados. Raspar las paredes del bol y agregar los tomates, el pepino, las cebolletas, los pimientos y el perejil. Pulsar 5-6 veces para picar.
2. Agregar la sal, la pimienta, el vinagre, el jugo de limón, la salsa picante y el jugo de vegetales; pulsar 6-7 veces para incorporar. Probar y ajustar la sazón al gusto. Servir.

### **Información nutricional por porción de ½ taza:**

Calorías 24 (5 % de grasa) • Carbohidratos 5 g • Proteínas 1 g • Grasa 0 g • Grasa saturada 0 g • Colesterol 0 mg Sodio 362 mg • Calcio 18 mg • Fibra 1 g

# Sopa de camote cargada

¡Perfecta para los días de lluvia!

**Rinde:** Aprox. 5 tazas

---

## INGREDIENTES

3	onzas (85 g) de queso Cheddar blanco	1½	tazas (355 ml) de caldo de pollo o de vegetales bajo en sodio
2	cucharadas (30 g) de mantequilla sin sal		
1	diente de ajo, pelado	¼	cucharadita de canela en polvo
1	trozo de ½ in (1.5 cm) de jengibre, pelado	1	pizca de pimienta de Cayena
½	puerro, en trozos de 2 in (5 cm)	¼-½	taza (60-120 ml) de crema líquida para batir ("heavy cream")
½	cucharadita de sal kosher	¼	taza (60 ml) de crema agria o de yogur griego natural
1	pizca de pimienta negra recién molida	¼	taza (35 g) de tocino cocinado picado
1	camote/batata mediano de aprox. 8 oz (225 g), pelado y cortado para caber en el tubo de alimentación (reservar en agua fría si no lo usa inmediatamente)	3	cucharadas de cebolletas ("scallions") picadas

---

## INSTRUCCIONES

1. Instalar el disco triturador fino. Triturar el queso Cheddar; reservar.
2. Derretir la mantequilla a fuego lento, en una olla mediana.
3. Mientras la mantequilla se está derritiendo, preparar los vegetales. Instalar la cuchilla universal. Encender el aparato y dejar caer el ajo y el jengibre en el tubo de alimentación; procesar 10-15 segundos, hasta que estén finamente picados. Agregar el puerro y el pulsar 8-10 veces para picar finamente. Agregar los vegetales la olla, con una pizca de sal y de pimienta. Saltear por aprox. 8 minutos, hasta que estén suaves (no permitir que se doren).
4. Mientras los vegetales se están cocinando, preparar el camote. Quitar la cuchilla universal e instalar el disco rebanador medio; rebanar el camote. Colocar en la olla y revolver para combinar. Agregar el caldo, la canela y la pimienta de Cayena y subir el fuego hasta que la mezcla empiece a hervir. Cuando la mezcla empiece a hervir, reducir el fuego para que siga hirviendo a fuego lento. Cocinar por aprox. 15 minutos, hasta que el camote esté suave.
5. Instalar la cuchilla universal y, usando una cuchara calada, colocar los vegetales en el bol. Verter el caldo en una taza medidora. Procesar los vegetales mientras agrega lentamente el caldo por el tubo de alimentación. Agregar ¼ de taza (60 ml) de la crema líquida y procesar por aprox. 2 minuto, hasta obtener una mezcla suave. Si desea una sopa menos espesa, agregar el resto de la crema líquida.
6. Servir inmediatamente con queso Cheddar, crema agria (o yogurt), tocino y cebolletas.

### **Información nutricional por porción de 1 taza:**

Calorías 284 (68 % de grasa) • Carbohidratos 17 g • Proteínas 4 g • Grasa 21 g • Grasa saturada 14 g • Colesterol 70 mg  
Sodio 726 mg • Calcio 68 mg • Fibra 2 g

# Ensalada griega

Esta ensalada, que recuerda a la de las pizzerías, está compuesta por ingredientes rebanados, pero puede servirse sobre lechuga romana picada si se desea.

**Rinde:** Aprox. 5 tazas

---

## INGREDIENTES

1	pepino, pelado y cortado para caber en el tubo de alimentación	½	taza (60 g) de aceitunas negras deshuesadas
1	pimiento dulce, sin semillas, en 4 pedazos largos	4	onzas (115 g) de queso Feta desmenuzado
1	taza (150 g) de tomates de pera		Vinagreta griega (páginas 26-27), para servir
1	cebolla roja, partida a la mitad y cortada para caber en el tubo de alimentación		

---

## INSTRUCCIONES

1. Instalar el disco rebanador medio; rebanar los vegetales, colocándolos en un cuenco de servir a medida que los rebana si es necesario. A continuación, rebanar las aceitunas y el queso Feta, y colocarlos encima de los vegetales rebanados.
2. Servir inmediatamente, con la vinagreta.

**Información nutricional por porción de 1 taza, sin aderezo:**

Calorías 204 (33 % de grasa) • Carbohidratos 31 g • Proteínas 6 g • Grasa 8 g • Grasa saturada 3 g • Colesterol 20 mg  
Sodio 453 mg • Calcio 172 mg • Fibra 4 g

# Ensalada de col picante

Esta ensalada es ideal para acompañar una noche de tacos, pero también nos encanta como guarnición para cualquier barbacoa.

**Rinde:** Aprox. 2 tazas

---

## INGREDIENTES

½	jalapeño pequeño, sin semillas	2	onzas (55 g) de rábanos
¼	taza (15 g) de cilantro fresco	3	onzas (85 g) de col roja, cortada para caber en el tubo de alimentación
1	cucharada de jugo de lima/limón verde fresco	3	onzas (85 g) de col verde, cortada para caber en el tubo de alimentación
2	cucharaditas de aceite vegetal		
¼	cucharadita de sal kosher		
¼	cucharadita de pimienta negra recién molida		

---

## INSTRUCCIONES

1. Instalar la cuchilla universal. Encender el aparato y dejar caer el jalapeño en el tubo de alimentación; procesar hasta que esté finamente picado. Raspar el bol y agregar el cilantro; pulsar para picar. Raspar el bol. Agregar el jugo de lima, el aceite, la sal y la pimienta; pulsar para combinar.
2. Quitar la cuchilla universal e instalar el disco triturador fino; triturar los rábanos.
3. Voltar el disco; rebanar las coles.

4. Pasar a un tazón grande y revolver. Probar y ajustar la sazón al gusto.

**Información nutricional por porción de ¼ de taza:**

Calorías 7 (4 % de grasa) • Carbohidratos 2 g • Proteínas 0 g • Grasa 0 g • Grasa saturada 0 g • Colesterol 0 mg  
Sodio 74 mg • Calcio 11 mg • Fibra 1 g

## Ensalada César de coles de Bruselas rebanadas

La combinación de coles de Bruselas, picatostes crujientes y aderezo cremoso le gustará tanto que querrá repetir una y otra vez.

**Rinde:** 6 tazas

---

### INGREDIENTES

#### Picatostes

- 1 cucharada de aceite de oliva virgen extra
- 1 diente de ajo, machacado
- ¼ cucharadita de sal kosher
- 4 onzas (115 g) de pan italiano o francés, en cubos de ½ x ½ in (2.5 x 2.5 cm)

#### Ensalada

- 1 libra (455 g) de coles de Bruselas limpias (quitar las hojas sueltas y los tallos); reservar algunas hojas para freír y cubrir la ensalada)
- 2 onzas (55 g) de queso Parmesano
- ½-1 taza (120-235 ml) de aderezo César (página 27)

---

### INSTRUCCIONES

1. Precalentar el horno a 350 °F (175 °C). Forrar una placa para horno con papel de aluminio. Preparar los picatostes: Colocar el aceite, el ajo y la sal en un tazón mediano. Agregar los cubos de pan y revolver mientras aplasta un poco más el ajo. Colocar en la placa para horno y hornear por 10-12 minutos, revolviendo a la mitad del tiempo, hasta que estén bien dorados. Colocar la placa para horno sobre una rejilla. Tirar el ajo.
2. Instalar el disco rebanador fino; rebanar las coles de Bruselas. Pasar a un tazón grande; reservar.
3. Rebanar el queso Parmesano. Añadir a las coles de Bruselas.
4. Para freír las hojas de col (opcional): Calentar 1 cucharada de aceite de oliva a fuego medio-alto en una sartén mediana. Cuando el aceite esté caliente, agregar las hojas y una pizca de sal y de pimienta. Freír hasta que las orillas estén doradas y crujientes; reservar.
5. Colocar las coles de Bruselas, el queso Parmesano, los picatostes y ½ taza del aderezo César en un cuenco de servir. Cubrir con las hojas de col fritas y servir inmediatamente con más aderezo al lado.

**Información nutricional por porción de ½ taza:**

Calorías 133 (63 % de grasa) • Carbohidratos 9 g • Proteínas 4 g • Grasa 1 g • Grasa saturada 2 g • Colesterol 19 mg  
Sodio 242 mg • Calcio 77 mg • Fibra 2 g

# Vegetales encurtidos rápidos

Úselos en ensaladas, sándwiches o simplemente para picar. Tenga presente que duran solo hasta 2 semanas en el refrigerador.

**Rinde:** Aprox. 2 cuartos de galón (1.9 L)

## INGREDIENTES

8	onzas (225 g) de pepinos sin semillas (inglés o persa) no pelado	4	onzas (115 g) de cogollos de coliflor
		3	tazas (710 ml) de agua
4	onzas (115 g) de hinojo, descorazonado	1	taza (235 ml) de vinagre blanco destilado
4	onzas (115 g) de pimiento dulce rojo, sin semillas	2	dientes de ajo, pelados
4	onzas (115 g) de pimiento dulce amarillo dulce, sin semillas	2	cucharadas (25 g) de azúcar granulada
2	onzas (55 g) de rábanos limpios	2	cucharaditas de sal kosher
2	onzas (55 g) de apio, en trozos de 2 in (2.5 cm)	½	cucharadita de granos de pimienta
		½	cucharadita de semillas de eneldo

## INSTRUCCIONES

1. Instalar el disco rebanador medio; rebanar el pepino, el hinojo, los pimientos y los rábanos. A continuación, rebanar el apio, colocando los pedazos horizontalmente en el tubo de alimentación. Colocar los vegetales rebanados y la coliflor en un tazón de acero inoxidable; revolver.
2. Preparar el escabeche: Colocar el agua, el vinagre, el ajo, el azúcar, la sal, los granos de pimienta y las semillas de mostaza en una cacerola pequeña; revolver. Calentar hasta que empiece a hervir.
3. Dividir los vegetales entre dos recipientes herméticos de 1 cuarto de galón (945 ml). Cubrir los vegetales con el escabeche caliente. Tapar y refrigerar por 24-48 horas antes de servir.

### **Información nutricional por porción de ¼ de taza:**

Calorías 8 (8 % de grasa) • Carbohidratos 2 g • Proteínas 0 g • Grasa 0 g • Grasa saturada 0 g • Colesterol 0 mg Sodio 81 mg • Calcio 8 mg • Fibra 1 g

# Panqueques de papa-calabacín-zanahoria

Panqueques de papa mejoradas.

**Rinde:** 10-12 croquetas de 2½ in (6 cm)

---

## INGREDIENTES

1	cucharada de hojas perejil italiano fresco	2	cucharadas (15 g) de harina común o harina de pan ácimo
1	papa "Russet" mediana, pelada y cortada para caber en el tubo de alimentación	¾	cucharadita de sal kosher
		¼	cucharadita de pimienta negra recién molida
1	calabacín/calabacita ("zucchini") pequeño, cortado para caber en el tubo de alimentación	1	huevo grande, ligeramente batido
		2	cucharadas de aceite vegetal (más si es necesario)
1	zanahoria pequeña a medianas peladas y cortada para caber en el tubo de alimentación		Compota de manzana y crema agria, para servir
1	puerro mediano, pelado y cortado para caber en el tubo de alimentación		

---

## INSTRUCCIONES

1. Instalar la cuchilla universal. Colocar el perejil en el bol y pulsar 5-6 veces, usando pulsaciones largas, para picar finamente. Dejando el perejil en el bol, sacar la cuchilla e instalar el disco triturador medio. Colocar los vegetales horizontalmente en el tubo de alimentación y triturar la papa, el calabacín/calabacita, la zanahoria y la cebolla. Envolver los vegetales triturados en una toalla de cocina limpia y exprimir el exceso de líquido.
2. Colocar los vegetales triturados en un tazón mediano. Agregar la harina, sal y la pimienta; revolver suavemente para combinar. Agregar poco a poco el huevo batido hasta conseguir una mezcla que se mantenga unida (puede que no necesite todo el huevo). La mezcla no debe estar muy húmeda, o los panqueques resultarán muy densos.
3. Calentar el aceite a fuego medio-alto, en una sartén antiadherente grande. Colocar cucharadas llenas de la mezcla en la sartén (no cocinar más de 4 panqueques a la vez). Aplanar con el dorso de la cuchara para formar discos de aprox. 2½ in (6 cm). Cocinar por 1½-2 minutos por lado, hasta que los panqueques estén crujientes y dorados. Repetir con el resto de la mezcla, agregando más aceite si es necesario. Mantener los panqueques calientes en el horno (200 °F / 100 °C), en una rejilla puesta colocada sobre una placa para horno.
4. Servir tibios con compota de manzana y crema agria.

### **Información nutricional por porción (basado en 12 porciones):**

Calorías 48 (48 % de grasa) • Carbohidratos 5 g • Proteínas 1 g • Grasa 3 g • Grasa saturada 0 g • Colesterol 12 mg  
Sodio 105 mg • Calcio 9 mg • Fibra 1 g

# Arroz de coliflor frito

Un acompañamiento divertido, sabroso y bajo en carbohidratos.

**Rinde:** Aprox. 6 tazas

---

## INGREDIENTES

3	dientes de ajo, pelados	1	pimiento dulce rojo asado, en tiras de 1 in (2.5 cm)
1	jalapeño, sin semillas, en pedazos de 1 in (2.5 cm)	2	cucharadas de aceite vegetal
1	trozo de 1 in (2.5 cm) de jengibre, pelado	½	cucharadita de sal kosher
1	cebolla pequeña, en pedazos de 1 in (2.5 cm)	¼	cucharadita de cúrcuma en polvo
1	coliflor mediana de aprox. 1 lb (455 g), en cogollos		Hojas de cilantro y maní tostado picado, para decorar

---

## INSTRUCCIONES

1. Instalar la cuchilla universal. Encender el aparato y dejar caer el ajo, el jalapeño y el jengibre en el tubo de alimentación; procesar hasta que estén finamente picados, raspando el bol si es necesario. Reservar.
2. Colocar la cebolla en el bol; pulsar 8-10 veces. Reservar con la mezcla de ajo.
3. Colocar la mitad de la coliflor en el bol. Pulsar 10-12 veces, usando pulsaciones largas, hasta obtener pedazos del tamaño de granos de arroz. Reservar en una placa para horno forrada con papel absorbente. Repetir con el resto de la coliflor. Cubrir con papel absorbente y presionar para eliminar el exceso de líquido. Nota: También puede hornear la coliflor en 200 °F (100 °C) por 15 minutos.
4. Instalar el disco rebanador/triturador medio, el lado rebanador apuntando hacia arriba. Colocar el pimiento verticalmente en el tubo de alimentación; rebanar y reservar con la mezcla de ajo.
5. Poner 1 cucharada del aceite a calentar a fuego medio, en una sartén grande o una sartén para saltear. Cuando esté caliente, agregar la mezcla de ajo-vegetales. Cocinar por aprox. 5 minutos, revolviendo a menudo, hasta que estén suaves y fragantes. Cuando los vegetales estén fragantes, agregar la sal y la cúrcuma; revolver.
6. Agregar el aceite restante. Cuando esté caliente, agregar la coliflor; revolver. Tapar y cocinar por 5-10 minutos, hasta que la coliflor esté tierna.
7. Quitar la tapa y seguir cocinando, revolviendo de vez en cuando para despegar los residuos tostados en el fondo de la bandeja (esto da más crujido al plato final).
8. Probar y ajustar la sazón al gusto. Agregar el cilantro y el maní, y servir inmediatamente.

### **Información nutricional por porción de ½ taza:**

Calorías 68 (60 % de grasa) • Carbohidratos 6 g • Proteínas 2 g • Grasa 5 g • Grasa saturada 1 g • Colesterol 0 mg  
Sodio 221 mg • Calcio 22 mg • Fibra 2 g



# Pizza hawaiana

La combinación dulce y salada de la piña y del chorizo hacen que esta versión de la pizza hawaiana sea irresistible incluso para los detractores. Envolver las sobras de chorizo y congelar por un máximo de 6 meses.

**Rinde:** Una pizza de 12 in (30 cm); 8 porciones

---

## INGREDIENTES

1	receta de masa de pizza (página 46), a temperatura ambiente por 2-4 horas	½	pieza de chorizo cocinado*
	Sémola o harina común, para espolvorear	3	cucharadas (45 ml) de salsa de pizza (página 24)
2	onzas (55 g) de queso Mozzarella de leche entera bajo en humedad, helado		* Disponible en la sección de carnes de los supermercados. También se puede usar chorizo curado, pero el sabor no es tan pronunciado.
1/8	de piña pequeña a mediana fresca, secada con papel absorbente		

---

## INSTRUCCIONES

1. Colocar una bandeja de metal o una piedra de pizza en el tercio inferior del horno y precalentar este a 450 °F (230 °C) por al menos 30 minutos. Rociar una pala de pizza o papel sulfurizado con sémola o harina común.
2. Mientras el horno se está calentando, estirar la masa de pizza hasta formar un disco de 12 in (30 cm) y colocar este en la pala de pizza o el papel sulfurizado. Cubrir y reservar.
3. Instalar el disco triturador medio. Triturar la Mozzarella; reservar.
4. Instalar el disco triturador fino; rebanar la piña. Retirar y secar bien. Rebanar el chorizo.
5. Cuando el horno esté caliente, cubrir la masa de pizza con salsa y rociar con queso. Cubrir con piña y chorizo.
6. Meter al horno, en la bandeja o la piedra de pizza. Hornear hasta que la corteza esté bien dorada y que el queso esté burbujeante.
7. Pasar a una tabla de picar grande. Dejar enfriar por unos minutos antes de cortar y servir.

### **Información nutricional por porción:**

Calorías 107 (39 % de grasa) • Carbohidratos 12 g • Proteínas 4 g • Grasa 5 g • Grasa saturada 2 g • Colesterol 8 mg  
Sodio 253 mg • Calcio 41 mg • Fibra 1 g

# Pizza Margarita

Esta pizza es perfecta durante el verano, cuando los tomates y la albahaca están de temporada.

**Rinde:** Una pizza de 12 in (30 cm); 8 porciones

---

## INGREDIENTES

1	receta de masa de pizza (página 46)	4-6	onzas (115-175 g) de queso Mozzarella fresco, troceado
1	onza (30 g) de queso Parmigiano Reggiano, en cubos de ½ in (1.5 cm)	8-10	hojas medianas a grandes de albahaca fresca, finamente rebanadas
2-3	tomates italianos maduros pero firmes	2	cucharadas de aceite de oliva virgen extra
	Harina común, según se necesite	1	pizca de sal kosher
	Harina de maíz para espolvorear la placa/pala de pizza		

---

## INSTRUCCIONES

1. Preparar la masa de pizza y dejar subir. Colocar la rejilla del horno en el centro del mismo y precalentar este a 500 °F (260 °C). Si usa una piedra de hornear, colocar esta sobre la rejilla y permitir que se caliente por 30 minutos después de que el horno se haya calentado.
2. Instalar la cuchilla universal. Encender el aparato y dejar caer el queso Parmigiano en el tubo de alimentación; procesar hasta que esté finamente rallado. Reservar.
3. Quitar la cuchilla picadora e instalar el disco rebanador medio; rebanar los tomates.
4. Estirar la masa sobre una superficie ligeramente enharinada hasta formar un disco de 12 in (30 cm). Colocar la masa sobre una pala de pizza o la parte de abajo de una placa para horno espolvoreada con harina de maíz (también puede estirar la masa en una placa perforada para pizza engrasada u hornearla en una placa para horno forrada con papel sulfurizado). Pincelar la masa con aceite de oliva y esparcir los dos quesos encima. Disponer las rodajas de tomates encima del queso.
5. Meter la pizza al horno. Hornear por 10-15 minutos, hasta que el queso esté derretido y que las orillas estén bien doradas.
6. Retirar del horno y rociar con albahaca fresca y una pizca de sal.

### **Información nutricional por porción:**

Calorías 184 (40 % de grasa) • Carbohidratos 20 g • Proteínas 7 g • Grasa 8 g • Grasa saturada 3 g • Colesterol 14 mg  
Sodio 390 mg • Calcio 96 mg • Fibra 1 g

# Salteado de vegetales

Un salteado fácil y rápido. Para que sea más sustancioso, agregarle pollo o carne cocinados, o cubos de tofu.

**Rinde:** 5 tazas

---

## INGREDIENTES

1	diente de ajo, pelado	½	taza (100 g) de “edamame” (habas de soja) sin piel
1	trozo de ½ in (1.5 cm) de jengibre, pelado	2	cucharadas (30 ml) de salsa de soya
2	calabacines/calabacitas (“zucchini”) pequeños	2	cucharaditas de vinagre de arroz condimentado
1	berenjena pequeña	1	cucharada de maicena
1	zanahoria mediana, pelada	2	cucharaditas de aceite de sésamo/ajonjolí
6	mini pimientos dulce multicolor		
8	onzas (225 g) de champiñones comunes (también conocidos como champiñones cremini o champiñones de París)	1	cucharada de semillas de sésamo/ajonjolí tostadas
1	cucharada de aceite vegetal		Arroz blanco, para servir

---

## INSTRUCCIONES

1. Instalar la cuchilla universal. Encender el aparato y dejar caer el ajo y el jengibre en el tubo de alimentación; procesar por 10-15 segundos, hasta que estén finamente picados. Reservar.
2. Instalar el disco rebanador medio. Rebanar el calabacín, la berenjena, la zanahoria, los pimientos y los champiñones; Reservar.
3. Poner a calentar el aceite a fuego medio, en una sartén grande. Cuando el aceite esté caliente, agregar el ajo y el jengibre. Saltear por aprox. 2 minutos, hasta que estén suaves y fragantes. Agregar la mitad de los vegetales rebanados. Saltear por 3-5 minutos, y luego agregar el resto de los vegetales rebanados. Saltear por aprox. 5 minutos adicionales, hasta que estén tiernos. Agregar el “edamame” y cocinar por unos minutos más.
4. Mientras los vegetales se están cocinando, revolver la salsa de soya, el vinagre y la maicena. Agregar la mezcla de salsa de soya al sartén. Revolver y cocinar hasta que la salsa se espese ligeramente y cubra los vegetales.
5. Agregar el aceite de sésamo/ajonjolí y las semillas de sésamo/ajonjolí; revolver. Probar y ajustar la sazón al gusto. Servir inmediatamente, con arroz blanco

### **Información nutricional por porción de ½ taza:**

Calorías 67 (44 % de grasa) • Carbohidratos 8 g • Proteínas 3 g • Grasa 4 g • Grasa saturada 0 g • Colesterol 0 mg  
Sodio 213 mg • Calcio 19 mg • Fibra 3 g

# Salsa boloñesa de setas

Una salsa para pasta sustanciosa y apta para veganos.

**Rinde:** Aprox. 4 tazas

---

## INGREDIENTES

4	dientes de ajo, pelados	8	onzas (225 g) de champiñones comunes (también conocidos como champiñones cremini o champiñones de París)
3	chalotes, en pedazos de 1 in (2.5 cm)		
1	zanahoria mediana de aprox. 2½ oz (70 g), en trozos de 1 in (2.5 cm)	1	latas de 28 oz (795 g) de tomates enteros pelados
1	rama de apio de aprox. 2 oz (55 g), en trozos de 1 in (2.5 cm)	¼	taza (60 ml) de vino blanco
1	cucharada (15 ml) de aceite de oliva	1	cucharadita de concentrado de tomate
¼	cucharadita de sal kosher	2	cucharaditas de salsa de soya
¼	cucharadita de pimienta negra recién molida	5	hojas grandes de albahaca fresca

---

## INSTRUCCIONES

1. Instalar la cuchilla universal.  
Encender el aparato y dejar caer el ajo en el tubo de alimentación; procesar hasta que esté finamente picado. Raspar el bol y agregar los chalotes, la zanahoria y el apio. Pulsar 10 veces para picar uniformemente; reservar.
2. Poner a calentar el aceite de oliva a fuego medio-lento, en una olla grande. Cuando esté caliente, agregar los vegetales picados, la sal y la pimienta. Reducir el fuego y cocinar a fuego lento por 5-8 minutos, hasta que los vegetales estén suaves y fragantes.
3. Mientras los vegetales se están cocinando, colocar la mitad de los champiñones en el bol de la procesadora. Pulsar 8-10 veces para picar. Reservar, en un tazón pequeño. Repetir con el resto de los champiñones. Nota: Romper los pedazos grandes con los dedos. Pedazos de tamaño distinto dan a la salsa final una interesante textura.
4. Agregar los champiñones a la olla y cocinar a fuego lento, revolviendo de vez en cuando, hasta que suelten su jugo. Mientras los champiñones se están cocinando, colocar tomates en el bol de la procesadora; pulsar para picar.
5. Cuando los champiñones estén cocinados, agregar el vino y revolver, raspando el fondo de la olla para despegar los residuos. Cuando el vino se haya evaporado casi por completo, agregar el concentrado de tomate, los tomates picados y la salsa de soya.
6. Cocinar hasta que empiece a hervir, luego reducir el fuego para hervir a fuego lento. Cocinar a fuego lento por 45 minutos. Probar y ajustar la sazón al gusto. Romper las hojas de albahaca y añadirlas a la salsa justo antes de servir.

### **Información nutricional por porción de ½ taza:**

Calorías 65 (24 % de grasa) • Carbohidratos 9 g • Proteínas 2 g • Grasa 2 g • Grasa saturada 0 g • Colesterol 0 mg  
Sodio 388 mg • Calcio 36 mg • Fibra 2 g

# “Pot pie” de pollo

Este sustancioso plato se prepara más rápido de lo que imagina.

**Rinde:** Aprox. 8 tazas (1.2 L)

## INGREDIENTES

4	cucharadas (55 g) de mantequilla sin sal	1	camote/batata mediano de aprox. 8-10 oz (225-285 g), pelado y cortado en cubos
2	ramas de apio, en trozos de 2 in (5 cm)		
2	zanahorias medianas, peladas y cortadas en trozos de 2 in (5 cm)	2	papas Yukon Gold medianas (aprox. 1 lb/455 g en total), peladas y cortadas en cubos
1	cebolla mediana a grande, en pedazos de 1 in (2.5 cm)		
1½	cucharaditas de sal kosher	4	tazas (1 kg) de pollo rostizado picado
¾	cucharadita de pimienta negra recién molida	¼	taza de hojas de perejil fresco, finamente picado
1	cucharadita de tomillo fresco	1	taza (150 g) de cebollas cambray (“pearl onions”), partidas a la mitad si son grandes y descongeladas sin son congeladas
½	taza (120 ml) de vino blanco seco		
¼	taza (30 g) de harina común	¾	taza (100 g) de arvejas congeladas, descongeladas
3	tazas (710 ml) de caldo de pollo bajo en sodio (más si necesita)	1	receta de masa de panecillos de suero de leche (página 48-49)

## INSTRUCCIONES

1. Colocar la rejilla del horno en el centro del mismo y precalentar este a 375 °F (190 °C).
2. Colocar la mantequilla en una cacerola mediana y derretir a fuego medio-bajo.
3. Mientras mantequilla se está derritiendo, preparar los vegetales. Instalar la cuchilla universal. Colocar la cebolla en el bol y pulsar 5-6 veces para picar.
4. Dejando la cebolla picada en el bol, quitar la cuchilla universal e instalar el disco triturador medio; rebanar la zanahoria y el apio (juntos).
5. Cuando la mantequilla esté derretida, agregar los vegetales picados, una pincha de sal y de pimienta y el tomillo. Saltear por 5-6 minutos, hasta que estén suaves. Agregar el vino y cocinar por aprox. 3 minutos, hasta reducirlo a la mitad.
6. Agregar la harina, revolver y cocinar por 2-3 minutos para absorber el líquido. A continuación, agregar el caldo de pollo, ¼ de taza (60 ml). Subir el fuego y llevar la mezcla a ebullición. Cuando la mezcla hierva, agregar las papas, el pollo, las cebollas cambray y la sal/pimienta restantes. Hervir a fuego lento por aprox. 10 minutos, agregando más caldo para cubrir las papas si es necesario. Después de este tiempo, agregar las arvejas y el perejil, y retirar del fuego.
7. Mientras el relleno se está cocinando, preparar la masa.
8. Verter el relleno en una bandeja de 13 x 9 in (33 x 23 cm). Cubrir con cucharadas de la masa.
9. Hornear por aprox. 35-40 minutos, hasta que la masa esté bien dorada y que el relleno esté burbujeante.
10. Retirar del horno. Dejar enfriar ligeramente antes de servir.

### Información nutricional por porción:

Calorías 514 (31 % de grasa) • Carbohidratos 46 g • Proteínas 38 g • Grasa 18 g • Grasa saturada 10 g • Colesterol 125 mg • Sodio 721 mg • Calcio 112 mg • Fibra 4 g

# Pollo adobado en salsa de cilantro-lima

Este pollo con sabor latino es un plato realmente polivalente y es perfecto en tacos, ensaladas y tazones de arroz. ¡Las posibilidades son infinitas!

**Rinde:** 6-8 porciones

---

## INGREDIENTES

1	diente de ajo, pelado	1	cucharadita + una pizca de sal kosher
1	jalapeño, sin semillas, en pedazos de 1 in (2.5 cm)	1/8	cucharadita de chile en polvo
		1/2	taza (120 ml) de aceite de oliva
1	cebollita ("scallion"), en trozos de 1 in (2.5 cm)	3	libras (1.35 kg) de muslos de pollo, deshuesados y sin piel (quitar la grasa visible)
1	taza de hojas de cilantro fresco		
2	cucharaditas de ralladura de lima/limón verde		

---

## INSTRUCCIONES

1. Instalar la cuchilla universal. Encender el aparato y dejar caer el ajo, el jalapeño y la cebollita en el tubo de alimentación; procesar hasta que estén finamente picados.
2. Raspar el bol y agregar el cilantro, la ralladura de lima, 1 cucharadita de sal y el chile en polvo. Pulsar para picar. Raspar el bol. Encender el aparato y verter el aceite de oliva en el tubo de alimentación; procesar hasta conseguir una mezcla homogénea.
3. Colocar el pollo en un tazón no reactivo y agregar el adobo; revolver para cubrir. Refrigerar por un mínimo de 1 hora, hasta un máximo de una noche.
4. Cuando esté listo/a para cocinar, precalentar una parrilla (de interior o exterior). Rociar el pollo con una pizca de sal y asarlo 10-15 minutos por lado, hasta que la temperatura interna alcance 170 °F (75 °C). Nota: También puede hornear el pollo al horno, horno freidor o freidora de aire, en 400 °F (200 °C).

### **Información nutricional por porción (basado en 8 porciones):**

Calorías 325 (58 % de grasa) • Carbohidratos 1 g • Proteínas 34 g • Grasa 21 g • Grasa saturada 34 g • Colesterol 141 mg  
Sodio 417 mg • Calcio 23 mg • Fibra 0 g

# Pasta primavera

Las hortalizas frescas son la estrella de este plato de primavera/verano fácil de hacer, ligero y colorido. Recomendamos usar lingüini, pero se puede usar cualquier tipo de pasta.

**Rinde:** 8-10 porciones

---

## INGREDIENTES

2	onzas (55 g) de queso Parmigiano-Reggiano	1	libra (455 g) de pasta
2	dientes de ajo, pelados	1	cucharadita de sal kosher + más, a gusto
1	chalote pequeño	1	cucharada (15 ml) de aceite de oliva
2	pimientos dulces (amarillos, rojos o anaranjados) pequeños, sin semillas, cortados para caber en el tubo de alimentación	½	cucharadita de pimienta negra recién molida
2	zanahorias medianas, peladas y cortadas para caber horizontalmente en el tubo de alimentación	½	taza (70 g) de arvejas congeladas, descongeladas
1	calabacín/calabacita ("zucchini") pequeño, cortado para caber horizontalmente en el tubo de alimentación	¼	Ralladura y jugo de 1 limón pequeño
1	calabacín amarillo pequeño, cortado para caber horizontalmente en el tubo de alimentación	½	taza (15 g) de hojas de albahaca fresca finamente rebanadas
		½	taza (50 g) de pan rallado simple (página 45) + 1 cucharada de mantequilla, para cubrir* (opcional)

---

## INSTRUCCIONES

1. Instalar el disco triturador fino. Triturar el queso Parmesano; reservar. Limpiar el bol con un papel absorbente.
2. Instalar la cuchilla universal. Encender el aparato y dejar caer el ajo en el tubo de alimentación; procesar hasta que esté finamente picado. Raspar el bol.
3. Quitar la cuchilla universal e instalar el disco rebanador medio. Rebanar el chalote, y luego los pimientos (colocados verticalmente en el tubo de alimentación); reservar.
4. Rebanar los champiñones, y luego los calabacines (colocados horizontalmente en el tubo de alimentación); reservar por separado.
5. Cocinar la pasta en agua salada, en una olla grande, de acuerdo con las instrucciones. Cuando la pasta esté lista, reservar 2 tazas (475 ml) del líquido de cocción y escurrir. Dejar la pasta en el colador y colocar este en la olla; tapar.
6. Mientras la pasta se está cocinando, poner el aceite de oliva a calentar a fuego medio, en una sartén grande. Cuando el aceite esté caliente, agregar la mezcla de ajo/chalote/pimientos y una pizca de sal y de pimienta. Saltear por 3-5 minutos, hasta que los vegetales estén suaves y fragantes.
7. Agregar los vegetales rebanados, con una pizca de sal y de pimienta. Saltear por aprox. 5 minutos adicionales, hasta que estén tiernos.
8. Agregar la pasta, las arvejas y la sal/pimienta restantes; revolver para combinar.

9. Agregar el líquido de cocción reservado, ¼ de taza (60 ml) a la vez, hasta conseguir una consistencia cremosa. Agregar la ralladura y el jugo de limón, la albahaca y el queso Parmesano. Rociar con pan rallado tostado (opcional) y servir inmediatamente.

**Información nutricional por porción (basado en 10 porciones):**

Calorías 229 (15 % de grasa) • Carbohidratos 41 g • Proteínas 9 g • Grasa 4 g • Grasa saturada 1 g • Colesterol 4 mg Sodio 343 mg • Calcio 87 mg • Fibra 2 g

*\*Para una cobertura crujiente, tostar el pan rallado con la mantequilla en 250 °F (120 °C). Cuando la mantequilla se haya derretido, revolver y tostar por aprox. 10-15 minutos, hasta que el pan rallado esté dorado. Sazonar con una pizca de sal.*

## Falafels con ensalada del Medio Oriente

¡Preparar esta popular especialidad oriental en casa es muy fácil gracias a su procesadora de alimentos!

Recuerde remojar los garbanzos la noche anterior.

**Rinde:** 24 falafels y 4½ tazas de ensalada

### INGREDIENTES

#### Falafels

- 2 dientes de ajo, pelados
- 1 chalote pequeño, en pedazos
- 1 taza (60 g) de garbanzos secos, remojados durante una noche, escurridos y enjuagados
- 1 cucharadita de sal kosher
- 1/8 cucharadita de pimienta negra recién molida
- 1 cucharadita de comino en polvo
- 1/2 cucharadita de semillas de cilantro en polvo
- 1/8 cucharadita de chile en polvo
- 2/3 taza (30 g) de perejil fresco (tallos y hojas)
- 2 cucharadas (15 g) + 1/2 taza (60 g) de harina común
- 1/2 cucharadita de bicarbonato de sodio
- 2 cucharadas (30 ml) de agua
- Aceite vegetal, si va a freír

Aceite de oliva, si va a hornear\*

#### Ensalada

- 1/3 taza llena (40 g) de hojas de perejil
- 1 pepino mediano, partido por la mitad a lo largo
- 1 taza (150 g) de tomates de pera
- 6 pepinillos con eneldo pequeños de 2-3 in (5-7 cm), o aprox. 1/2 taza de vegetales encurtidos rápidos (página 32)
- 2 cucharadas de aceite de oliva virgen extra
- 1 cucharada de Tahini (pasta de sésamo)
- 2 cucharaditas de "za'atar"
- 1 pizca de sal kosher, a gusto (hasta 1/4 de cucharadita)
- Pan pita, para servir
- Tahini (pasta de sésamo) (opcional)

### INSTRUCCIONES

1. Instalar la cuchilla universal. Colocar las aceitunas y el chalote en el bol y pulsar 5-8 veces para picar. Agregar los garbanzos, la sal, la pimienta, las especias, el perejil y 2 cucharadas de harina; pulsar 10-12 veces para moler los garbanzos. Raspar el bol y procesar por 15-20 segundos adicionales, hasta que todo esté finamente molido. Reservar 2/3 de taza (160 ml) de la mezcla en un tazón.
2. Disolver el bicarbonato en el agua. Encender el aparato y verter la mezcla por el tubo de alimentación. Procesar por 15-20 segundos para mezclar bien. Agregar a la mezcla reservada. Revolver bien para combinar.



3. Usando una cuchara, formar 12 bolas (de 2 cucharadas) o 24 bolas (de 1 cucharada) con la mezcla de garbanzos. Colocar las bolas en una bandeja o en un plato cubierto con papel encerado y refrigerar por 30 minutos. Colocar la harina restante en un tazón poco profundo y reservar.
4. Verter ¼ in (0.5 cm) de aceite en una cacerola mediana y calentar a fuego medio-alto hasta que alcance 375 °F (190 °C). Rebozar los falafels en la harina, sacudiendo el exceso, y colocarlos con cuidado en el aceite. Cocinar los falafels (no más de 5 a la vez) por 2½-3 minutos, dándoles la vuelta a la mitad del tiempo, hasta que estén dorados y crujientes.
5. Colocar en una bandeja forrada con papel absorbente. Repetir con el resto de los falafels.
6. Mientras los falafels se están enfriando, preparar la ensalada. Instalar la cuchilla universal. Colocar el perejil en el bol y pulsar hasta que esté picado.
7. Dejando el perejil picado en el bol, quitar la cuchilla universal e instalar el disco rebanador medio. Rebanar el pepino, los pepinillos y los tomates. Pasar a un cuenco de servir. Agregar el aceite de oliva, la salsa Tahini, el "za'atar" y una pizca de sal; revolver para combinar. Probar y ajustar la sazón al gusto.
8. Servir los falafels con pan pita y ensalada.

\* Para hornear: Colocar la rejilla del horno en el centro del mismo y precalentar este a 400 °F (200 °C). Forrar una placa para horno con papel sulfurizado y rociar con aceite de oliva. No rebozar los falafels en harina. Colocar los falafels sobre el pape sulfurizado. Rociar con más aceite, dando la vuelta a los falafels para cubrirlos completamente con aceite. Hornear de 20-25 minutos, volteándolos a la mitad del tiempo, hasta que estén dorados y crujientes.

#### **Información nutricional por falafel:**

Calorías 35 (92 % de grasa) • Carbohidratos 6 g • Proteínas 2 g • Grasa 1 g • Grasa saturada 0 g • Colesterol 0 mg  
Sodio 14 mg • Calcio 13 mg • Fibra 2 g

#### **Información nutricional por ½ taza de ensalada:**

Calorías 51 (69 % de grasa) • Carbohidratos 3 g • Proteínas 1 g • Grasa 4 g • Grasa saturada 1 g • Colesterol 0 mg  
Sodio 347 mg • Calcio 30 mg • Fibra 1 g

## Albóndigas de cordero

Estas albóndigas de inspiración griega son espectaculares así solas, pero servidas con pan pita, salsa tzatziki, arroz y una ensalada verde, se convierten en una impresionante comida completa.

**Rinde:** 15 albóndigas

### INGREDIENTES

1	diente de ajo, pelado	½	cucharadita de comino en polvo
¼	taza (15 g) de hojas de perejil italiano fresco	¼	cucharadita de pimienta negra recién molida
¼	taza (15 g) de hojas de menta fresca	1	onza (30 g) de queso Feta, en pedazos
1½	libras (680 g) de paleta de cordero, en pedazos de 1 in (2.5 cm)		Salsa Tzatziki, para servir
1	cucharadita de sal kosher		Pan pita caliente, para servir

### INSTRUCCIONES

1. Colocar la rejilla del horno en el centro del mismo y precalentar este a 400 °F (190 °C).
2. Instalar la cuchilla universal. Encender el aparato y dejar caer el ajo en el tubo de alimentación; pulsar hasta que esté finamente picado. Agregar el perejil y la menta; procesar hasta que estén finamente picados. Agregar el cordero, la sal, el comino y la pimienta. Pulsar aprox. 12 veces, usando pulsaciones largas, para picar. Agregar el queso Feta; pulsar unas cuantas veces hasta que se haya distribuido uniformemente.

3. Dividir la mezcla en 15 porciones uniformes y formar 15 albóndigas. Colocarlas en una placa para horno forrada con papel sulfurizado o papel de aluminio. Meter al horno y hornear por 18 minutos.

4. Servir con salsa tzatziki y pan pita tibio.

#### **Información nutricional por albóndiga:**

Calorías 67 (39 % de grasa) • Carbohidratos 0 g • Proteínas 10 g • Grasa 3 g • Grasa saturada 1 g • Colesterol 31 mg Sodio 203 mg • Calcio 17 mg • Fibra 0 g

## Hamburguesas “smash” de vegetales

Las hamburguesas “smash” son muy apreciadas por su exterior crujiente y su interior tierno y jugoso. Esta variante vegetariana será un éxito rotundo.

**Rinde:** 12 hamburguesas (6 hamburguesas doble)

---

### INGREDIENTES

1½	cucharadita de sal kosher + más, a gusto	1	yema de huevo grande
¼	taza (60 g) de trigo sarraceno	1	cucharadita de ajo en polvo
8	onzas (225 g) de setas shiitake (quitar los tallos)	1	cucharadita de cebolla en polvo
4	cucharaditas de aceite de oliva	1	cucharadita de p�prika ahumada
1	lata de 15.5 oz (440 g) de frijoles negros, escurridos y enjuagados	¼	cucharadita de chile en polvo
¼	cebolla amarilla, pelada	¼	cucharadita de pimienta negra recién molida
3	cucharadas de mayonesa	¼	taza (60 ml) de agua fría
2	cucharadas de harina de avena	12	rebanadas de queso Cheddar
1	cucharada de maicena	6	panecillos para hamburguesas, tostados
1	cucharada (15 g) de mantequilla de almendra		Guarnición, p. ej. lechuga, tomates, pepinillos y k�tchup

---

### INSTRUCCIONES

1. Precalentar el horno a 350 °F (175 °C).
2. Cocinar el trigo sarraceno en agua salada hasta que est  tierno. Escurrir y dejar enfriar completamente. Reservar, en un taz n mediano.
3. Instalar la cuchilla universal. Colocar los champi ones en el bol y pulsar aprox. 10 veces para picar. Revolver con el aceite de oliva y ½ cucharadita de la sal y esparcir uniformemente en una placa para horno. Esparcir uniformemente los frijoles negros en otra placa para horno. Hornear los champi ones y los frijoles por 10 minutos, hasta que los champi ones se hayan reducido a la mitad de su tama o y que los frijoles parezcan secos y empiecen a partirse.
4. Colocar la cebolla en el bol; pulsar hasta que est  finamente picada. Agregar la cebolla y los champi ones al taz n de trigo sarraceno.
5. Colocar los frijoles en el bol; pulsar 5 veces. Retirar ½ taza de los frijoles y a adirlos a la mezcla de trigo sarraceno. Agregar la mayonesa, la harina de avena, la maicena, la mantequilla de almendra, la yema, 1 cucharadita de la sal y las especias al bol; pulsar para combinar. Encender el aparato y verter el agua fría por el tubo de alimentaci n; procesar hasta conseguir un pur  suave.

6. Agregar el puré a la mezcla de trigo sarraceno. Usando una cuchara de 2 oz (60 ml), dividir la mezcla en porciones uniformes. Disponerlas en una placa para horno forrada con papel sulfurizado, dejando 3 in (7.5 cm) entre ellas. Cubrir con papel sulfurizado y aplastar con el fondo de un vaso para formar discos de 3 in (7.5 cm). Congelar por al menos 2 horas.
7. Para cocinar: Calentar el aceite restante en una sartén antiadherente o de hierro fundido mediana. Cuando el aceite esté caliente, colocar 2 hamburguesas en la sartén y cocinar hasta que la parte de abajo esté dorada y crujiente. Voltar y colocar una rebanada de queso Cheddar en cada hamburguesa. Seguir cocinando hasta que la parte de abajo esté crujiente. Colocar en un pancito tostado y servir con sus coberturas favoritas.

**Información nutricional por hamburguesa (con queso):**

Calorías 176 (52 % de grasa) • Carbohidratos 13 g • Proteínas 9 g • Grasa 10 g • Grasa saturada 5 g • Colesterol 39 mg  
Sodio 593 mg • Calcio 174 mg • Fibra 4 g

## Pan rallado simple o sazonado

¿Por qué comprar pan rallado cuando lo puede preparar tan fácilmente con su procesadora de alimentos Cuisinart®?

**Rinde:** Aprox. 1<sup>2</sup>/<sub>3</sub> tazas

---

### INGREDIENTES

8 rebanadas de pan blanco

---

### INSTRUCCIONES

1. Precalentar el horno a 325 °F (160 °C). Disponer el pan en una placa para horno grande, en una capa.  
Hornear por aprox. 20 minutos, hasta que esté completamente seco. Dejar enfriar en una rejilla por 5-10 minutos.
2. Instalar la cuchilla universal. Romper el pan en pedazos medianos, directamente en el bol.  
Pulsar 6-8 veces, y luego procesar continuamente por 30-60 segundos hasta conseguir la textura deseada.

**Nota:** También se puede preparar pan rallado con pan del día anterior, sin tostarlo.  
Simplemente romper el pan en pedazos uniformes y procesar hasta que esté finamente picado.

**Pan rallado sazonado:** Agregar al pan ¼ de cucharadita de cada uno de los ingredientes siguientes: sal kosher, orégano seco, albahaca seca, ajo en polvo y cebolla en polvo; procesar.

**Información nutricional por porción de 2 cucharadas:**

Calorías 43 (11 % de grasa) • Carbohidratos 9 g • Proteínas 1 g • Grasa 0 g • Grasa saturada 0 g • Colesterol 0 mg  
Sodio 92 mg • Calcio 92 mg • Fibra 6 g

# Masa de pizza

Masa de pizza casera es el comienzo perfecto para una noche de pizza en familia.

**Rinde:** Aprox. 1 lb (455 g), lo suficiente como para preparar una pizza de 12-14 in (30-35 cm) o dos pizzas de 8 in (20 cm)

## INGREDIENTES

1¾	tazas (240 g) de harina de pan o 1¾	¾	cucharadita de sal kosher
	tazas (220 g) de harina común (+ más si es necesario)	¾	taza (160 ml) de agua, a temperatura ambiente
1½	cucharaditas de levadura instantánea	2	cucharaditas de aceite de oliva
1	cucharadita (5 g) de azúcar granulada		

## INSTRUCCIONES

1. Instalar la cuchilla universal. Colocar la harina, la sal, el azúcar, la levadura y el aceite de oliva en el bol; pulsar unas cuantas veces para combinar. Encender el aparato y agregar lentamente el agua por el tubo de alimentación, cerciorándose de que la harina absorba el líquido antes de agregar más. Procesar hasta que se forme una bola que deje las paredes del bol limpia. Seguir procesando por 30 segundos adicionales para amasar. La masa debería estar ligeramente pegajosa.
2. Colocar la masa sobre una superficie limpia y amasarla a mano por un minuto adicional. Colocar la masa en un tazón limpio y cubrir con una toalla húmeda o papel film/plástico. Dejar subir al doble de su volumen, en un lugar tibio sin corrientes de aire, por aprox. 1 hora.
3. Colocar la masa sobre una superficie ligeramente enharinada y aplastar para desinflar. Estirar y formar la pizza del tamaño que desee según la receta.

### **Información nutricional por porción (basado en 8 porciones):**

Calorías 92 (6 % de grasa) • Carbohidratos 19 g • Proteínas 3 g • Grasa 1 g • Grasa saturada 0 g • Colesterol 0 mg  
Sodio 214 mg • Calcio 1 mg • Fibra 0 g

# Masa de pizza sin gluten

**Rinde:** 1 lb (455 g) de masa

## INGREDIENTES

½	tazas (65 g) de harina de arroz integral	1½	cucharadas de polvo de cáscara de psyllium
½	taza (65 g) de harina de arroz blanco	½	cucharadita de levadura instantánea
¼	taza (30 g) de almidón/fécula de arrurruz	1	cucharadita (5 g) de azúcar granulada
3	cucharadas de harina de quinua	1¼	cucharaditas de polvo de hornear
2	cucharadas de linaza molida	1	cucharadita de sal kosher
2	cucharadas de harina/almidón/fécula de tapioca	1	taza (235 ml) de agua
		2	cucharaditas de aceite de oliva, para pincelar

---

## INSTRUCCIONES

1. Instalar la cuchilla universal. Colocar los ingredientes secos en el bol. Procesar por 20 segundos para tamizar.
2. Encender el aparato y verter poco a poco el agua por el tubo de alimentación. Procesar hasta que se forme una bola. Seguir procesando por 30 segundos para amasar.
3. Sacar la masa y formar una bola suave. Colocar la masa en un tazón limpio, cubrir y dejar subir por 30 minutos antes de estirar y hornear.
4. Para hornear: Precalentar el horno a 400 °F (200 °C). Estirar la masa. Pincelar la orilla con aceite de oliva. Hornear por 10 minutos, o hasta que la orilla empiece a ponerse firme, pero no se dore. Sacar del horno y cubrir con los ingredientes deseados. Devolver al horno y hornear por 10 minutos adicionales, hasta que la orilla esté dorada.
5. Refrigerar o congelar las sobras de masa. La masa dura hasta una noche en el refrigerador, o hasta un mes en el congelador.

### Información nutricional por porción:

Calorías 98 (29 % de grasa) • Carbohidratos 16 g • Proteínas 1 g • Grasa 3 g • Grasa saturada 0 g • Colesterol 0 mg  
Sodio 242 mg • Calcio 11 mg • Fibra 2 g

## Masa de coliflor para pizza

Pruebe esta excelente alternativa sin gluten a la masa de pizza.

**Rinde:** Una corteza de pizza de 12 in (30 cm)

---

## INGREDIENTES

4	onzas (115 g) de queso Parmesano, en pedazos de ½ in (1.5 cm)	¼	cucharadita de pimienta negra recién molida
1	libra (455 g) de coliflor, en cogollos de 1 in (2.5 cm)	¼	cucharadita de cebolla en polvo
		¼	cucharadita de ajo en polvo
2	huevos grandes		
½	cucharadita de sal kosher		

---

## INSTRUCCIONES

1. Precalentar el horno a 450 °F (230 °C). Forrar una placa para horno con papel sulfurizado; reservar.
2. Instalar la cuchilla universal. Colocar el queso Parmesano en el bol y procesar hasta que esté finamente picado.
3. Agregar la coliflor y pulsar 5-6 veces para romper; luego, procesar continuamente hasta que esté finamente picada.
4. Agregar el resto de los ingredientes y procesar para combinar.
5. Verter la mezcla sobre la placa para horno preparada. Formar un rectángulo de aprox. ½ in (1.5 cm) de espesor. Hornear por aprox. 25 minutos, hasta que la corteza esté bien dorada y ligeramente firme. Dejar enfriar ligeramente. Colocar sobre la corteza sus coberturas favoritas y devolverla al horno para que se termine de hornear.

### Información nutricional por porción:

Calorías 89 (52 % de grasa) • Carbohidratos 3 g • Proteínas 8 g • Grasa 6 g • Grasa saturada 3 g • Colesterol 68 mg  
Sodio 422 mg • Calcio 188 mg • Fibra 1 g

# Masa de hojaldre (“pâte brisée”)

Este masa de mantequilla clásica es muy versátil. Puede usarse para preparar recetas saladas o dulces.

**Rinde:** Una tarta de 9-10 in (23-25 cm)

## INGREDIENTES

1	taza (125 g) de harina común	8	cucharadas (115 g) de mantequilla sin sal, fría, en cubos de ½ in (1.5 cm)
1	cucharadita de sal marina fina	2	cucharadas (30 ml) de agua helada

## INSTRUCCIONES

1. Instalar la cuchilla universal.  
Colocar la harina y la sal en el bol; procesar para tamizar.
2. Agregar los cubos de mantequilla. Pulsar 8-10 veces, hasta obtener una mezcla parecida a migajas gruesas. Agregar 1 cucharada (15 ml) de agua helada. Pulsar para incorporar. Agregar el agua restante, 1 cucharadita a la vez, pulsando para incorporar después de cada adición. Seguir pulsando hasta conseguir una mezcla que se mantenga unida (puede que no necesite toda el agua).
3. Formar un disco de masa plano, envolverlo en papel film/plástico y refrigerar por un mínimo de 30 minutos antes de usar.
4. La masa dura hasta una semana en el refrigerador, o hasta tres meses en el congelador.

**Nota:** Para preparar masa dulce, añadir 1 cucharada de azúcar granulada con los ingredientes secos.

### **Información nutricional por porción:**

Calorías 100 (66 % de grasa) • Carbohidratos 7 g • Proteínas 1 g • Grasa 7 g • Grasa saturada 5 g • Colesterol 20 mg Sodio 98 mg • Calcio 0 mg • Fibra 0 g

# Panecillos de suero de leche

Un método más sencillo para preparar panecillos, ya que no es necesario darles forma ni cortarlos. Simplemente saque, hornee y sirva.

**Rinde:** 10 panecillos

## INGREDIENTES

1½	tazas (185 g) de harina común + más si es necesario	½	cucharadita de sal kosher
½	taza (70 g) de harina de repostería	1	pizca de pimienta negra recién molida
1¾	cucharaditas de polvo de hornear	8	cucharadas (115 g) de mantequilla sin sal de buena calidad fría, en pedazos
¼	cucharadita de bicarbonato de sodio	1	taza (245 g) de suero de leche (“buttermilk”) helado
1	cucharadita (5 g) de azúcar granulada		

## INSTRUCCIONES

1. Colocar la rejilla del horno en el centro del mismo y precalentar este a 450 °F (230 °C). Forrar dos placas para horno con papel sulfurizado; reservar.
2. Instalar la cuchilla universal. Colocar los ingredientes secos en el bol y procesar para tamizar. Agregar la mantequilla y pulsar repetidamente hasta que la mantequilla forme bolitas del tamaño de arvejas. Agregar lentamente el suero de leche por el tubo de alimentación de la procesadora mientras pulsa.

- Colocar la masa sobre una superficie ligeramente enharinada, y amasarla a mano unas cuantas veces para incorporar los ingredientes. Dividir la masa en porciones de aprox.  $\frac{1}{3}$  de taza, usando una cuchara, y colocar estas en las placas para horno preparadas, dejando aprox. 2 in (5 cm) de espacio entre ellas.
- Hornear 12-15 minutos, hasta que estén bien dorados. Dejar enfriar ligeramente sobre una rejilla antes de servir.

**Información nutricional por panecillo:**

Calorías 178 (47 % de grasa) • Carbohidratos 20 g • Proteínas 3 g • Grasa 9 g • Grasa saturada 6 g • Colesterol 26 mg  
Sodio 242 mg • Calcio 45 mg • Fibra 0 g

## Tortillas de harina

Si nunca ha probado tortillas frescas, le sugerimos que las pruebe. Simples y rápidas de preparar, harán de las tortillas compradas una cosa del pasado.

**Rinde:** 10 tortillas de 6 in (15 cm)

### INGREDIENTES

2½	tazas (310 g) de harina común + un poco más para espolvorear	6	cucharadas (85 g) de manteca vegetal, a temperatura ambiente
1	cucharadita de sal kosher	¾	taza (175 ml) de agua tibia
			Aceite de colza/canola, para pincelar

### INSTRUCCIONES

- Instalar la cuchilla universal. Colocar la harina y la sal en el bol; procesar para tamizar. Agregar la manteca y pulsar para cubrir con harina. Encender el aparato y verter lentamente el agua por el tubo de alimentación. Seguir procesando por 40 segundos para amasar. La masa debe estar suave y lisa.
- Colocar la masa en una superficie ligeramente enharinada y amasar a mano por 1-2 minutos adicionales para que se ablande un poco más.
- Dividir la masa en 10 porciones iguales y formar bolas. Cubrir sin apretar con papel film/plástico y dejar reposar a por 30-60 minutos.
- Precalentar una plancha a fuego medio-alto. Trabajando con solamente una bola a la vez y manteniendo el resto cubierto, estirar cada bola para formar un disco delgado de 6 in (15 cm). Cuando la plancha esté caliente, aceitarla con aceite y disponer una tortilla en ella. Cocinar, volteándolas cada 1½-2 minutos, hasta que tengan puntos dorados pero sigan flexibles. Nota: La masa se hinchará al cocinarse.
- Colocar la tortilla sobre un plato y cubrir con una toalla de papel humedecida o una toalla limpia para mantenerla tibia. Repetir con el resto de las tortillas. Servir con los acompañamientos deseados.

**Información nutricional por tortilla:**

Calorías 190 (47 % de grasa) • Carbohidratos 22 g • Proteínas 3 g • Grasa 10 g • Grasa saturada 2 g • Colesterol 0 mg  
Sodio 229 mg • Calcio 1 mg • Fibra 1 g

# Tarta ("pie") manzana y arándanos agrios

Los arándanos agrios son el complemento perfecto de las manzanas en esta deliciosa tarta de temporada.

**Rinde:** 8-12 porciones

## INGREDIENTES

2	receta de masa de hojaldre (página 48) Harina común, para estirar la masa	¼	cucharadita de pimienta de Jamaica en polvo
½	taza (60 g) de arándanos agrios secos	3	tazas (450 g) de arándanos agrios frescos o congelados
½	taza (100 g) de azúcar granulada + más para espolvorear	3	manzanas grandes (p. ej. Delicious, Ginger Gold o Pink Lady) peladas y partidas por la mitad
½	taza (100 g) llena de azúcar rubia (azúcar de caña integral)		Jugo de ½ limón
¼	taza (30 g) de almidón/fécula de arrurruz	1	cucharada (15 ml) de extracto natural de vainilla
½	cucharadita de sal kosher		
½	cucharadita de canela en polvo	1	huevo grande + 1 cucharadita de agua, ligeramente batidos
¼	cucharadita de nuez moscada rallada		

## INSTRUCCIONES

1. Estirar la masa para formar un disco de ⅛ in de espesor. Colocar en un molde de tarta de 10 in (25 cm). Refrigerar hasta el momento de usar.
2. Colocar los arándanos agrios y el agua caliente en un tazón pequeño a prueba de calor; remojar hasta que estén hinchados.
3. Instalar la cuchilla universal. Colocar los azúcares, el arrurruz, la sal y las especias en el bol. Procesar para combinar. Colocar la mezcla en un tazón grande.
4. Colocar 1½ tazas de los arándanos agrios frescos en el bol; pulsar para picar. Agregar todos los arándanos agrios frescos (picados y enteros) a la mezcla de azúcar.
5. Instalar el disco rebanador medio. Colocar las mitades de manzana verticalmente en el tubo de alimentación y rebanar. Agregar las manzanas rebanadas, el jugo de limón y la vainilla a la mezcla de azúcar; revolver suavemente para combinar.
6. Escurrir los arándanos agrios secos y agregarlos al tazón de relleno; revolver suavemente.
7. Estirar la segunda porción de masa para formar otro disco de ⅛ in de espesor. Si desea armar un entramado/enrejado, cortar la masa en tiras de ½ in (1.5 cm).
8. Verter el relleno en la base de tarta refrigerada y cubrir con el segundo disco de masa (o, para armar un entramado/enrejado, entrecruzar las tiras como desea). Cortar orificios de ventilación en la masa. Pellizcar/pinchar el borde como desea.
9. Refrigerar por 10-15 minutos.
10. Colocar la rejilla del horno en la posición más baja y colocar una placa para horno con bordes en ella. Precalear el horno a 450 °F (230 °C).
11. Cepillar la corteza superior con el barniz de huevo y rociar con azúcar granulada.
12. Colocar la tarta en la placa para horno. Hornear por 15 minutos, o hasta que la masa empiece a dorarse. Ajustar la temperatura del horno en 350 °F (175 °F) y hornear por 30-35 minutos adicionales, hasta que la tarta esté bien dorada.



13. Dejar enfriar en una rejilla por 2-3 horas antes de cortar.

**Información nutricional por porción (basado en 12 porciones):**

Calorías 443 (32 % de grasa) • Carbohidratos 75 g • Proteínas 3 g • Grasa 3 g • Grasa saturada 16 g • Colesterol 48 mg  
Sodio 305 mg • Calcio 25 mg • Fibra 3 g

## “Helado” de banana con chispas de chocolate y salsa de mantequilla de maní

¡Las bananas congeladas se convierten en un postre rico, cremoso y libre de culpa!

**Rinde:** Aprox. 2 tazas

### INGREDIENTES

4	bananas muy maduras, en trozos de 2 in (5 cm), congeladas	1	pizca de sal marina fina
2	cucharadas de leche de coco	¼	taza (20 g) de chispas de chocolate semidulce
¼	cucharadita de extracto natural de vainilla	¼	taza (65 g) de mantequilla de maní sin azúcar

### INSTRUCCIONES

1. Instalar la cuchilla universal. Colocar las bananas, la leche de coco, la vainilla y la sal en el bol. Pulsar 10 veces, usando pulsaciones largas, para romper. Raspar el bol y procesar por 2-3 minutos, hasta obtener una mezcla suave.
2. Agregar la chispas y pulsar aprox. 5 veces para romper e incorporar. Agregar la mantequilla de maní y pulsar repetidamente para crear una espiral.
3. Servir inmediatamente o colocar en un recipiente apto para congelador, cubrir la superficie con papel film/plástico y congelar.

**Información nutricional por porción de ½ de taza:**

Calorías 196 (41 % de grasa) • Carbohidratos 26 g • Proteínas 6 g • Grasa 23 g • Grasa saturada 12 g • Colesterol 36 mg  
Sodio 183 mg • Calcio 6 mg • Fibra 4 g

## Galletas de mantequilla de pistacho

Tostar los pistachos en un paso imprescindible para resaltar el sabor a pistacho de estas sabrosas galletas.

**Rinde:** 30 galletas

### INGREDIENTES

½	taza (50 g) de pistachos sin sal, tostados y enfriados	½	cucharadita de extracto natural de almendra o de vainilla
2	cucharadas de azúcar granulada + más para decorar	1	taza (125 g) de harina común
8	cucharadas (115 g) de mantequilla sin sal de calidad europea, a temperatura ambiente, en 4 pedazos	½	cucharadita de sal kosher
¼	taza (30 g) de azúcar glasé, tamizado	1	huevo grande, bien batido
		1-2	cucharadas (10-25 g) de azúcar grueso (p. ej., turbinado)

---

## INSTRUCCIONES

1. Instalar la cuchilla universal. Colocar los pistachos y 2 cucharadas (25 g) del azúcar granulado en el bol. Pulsar unas cuantas veces, y luego procesar por aprox. 20 segundos.
2. Agregar la mantequilla, el azúcar glasé y la vainilla. Pulsar varias veces para combinar, y luego procesar hasta que la mezcla se una.
3. Agregar la harina y la sal, y pulsar para incorporar. Raspar el bol y pulsar unas cuantas veces más.
4. Colocar la masa en una hoja de papel sulfurizado. Formar un cilindro de 2 in (5 cm) y envolver en el papel sulfurizado. Refrigerar por una noche.
5. Colocar las rejillas del horno en los tercios inferior y superior del mismo y precalentar este a 350°F (175 °C). Forrar dos placas para horno con papel sulfurizado.
6. Mientras el horno se está calentando, sacar el cilindro de masa del refrigerador y cepillarlos con la clara de huevo. Esparcir el azúcar en el fondo de una bandeja larga. Hacer rodar el cilindro en el azúcar, y luego cortarlo en rodajas de ¼-1/3 in (5-10 mm). Disponer las rodajas de masa en las placas para horno preparadas.
7. Hornear por aprox. 10 minutos, hasta que las orillas estén ligeramente doradas. Dejar enfriar en una rejilla hasta que estén lo suficientemente firmes como para pasar a una segunda rejilla, y dejar enfriar completamente antes de servir.

### Información nutricional por galleta:

Calorías 60 (57 % de grasa) • Carbohidratos 6 g • Proteínas 1 g • Grasa 4 g • Grasa saturada 2 g • Colesterol 8 mg  
Sodio 36 mg • Calcio 2 mg • Fibra 0 g

## Pastel de queso marmolado de frambuesa

La corteza de galleta de chocolate es el complemento perfecto para este pastel de queso hermoso y fácil de preparar. Decorar con chocolate semiamargo rallado para una presentación exquisita.

**Rinde:** 12 porciones; un pastel de 8 in (20 cm)

---

## INGREDIENTES

	Spray vegetal	3	huevos grandes, a temperatura ambiente
<b>Fondo/Base de tarta</b>			
12	galletas tipo “sándwiches de chocolate”, en pedazos	1	cucharadita (5 ml) de extracto natural de vainilla
2	cucharadas (30 g) de mantequilla sin sal, derretida	8	onzas (225 ml) de yogur griego natural, a temperatura ambiente
<b>Relleno</b>			
16	onzas (695 g) de queso crema, a temperatura ambiente	1	taza (140 g) de frambuesas frescas o descongeladas
1	taza (200 g) de azúcar granulada	2	cucharadas (25 g) de azúcar granulada
¼	cucharadita de sal kosher		

---

## INSTRUCCIONES

1. Precalentar el horno a 325 °F (165 °C). Colocar una bandeja en la rejilla inferior del horno y llenarla con un mínimo de ¼ in (0.5 cm) de agua. Colocar la otra rejilla en el centro del horno, directamente encima de la bandeja. Engrasar un molde desmontable de 8 in (20.5 cm) con spray vegetal.

- Preparar la corteza: Instalar la cuchilla universal. Colocar las galletas en el bol; pulsar 6-8 veces para picar, y luego procesar por aprox. 20 segundos para moler. Agregar la mantequilla y pulsar aprox. 6 veces para combinar. Apisonar la mezcla en el fondo del molde preparado. Reservar.
- Preparar el relleno: Quitar la cuchilla universal, limpiar el bol con papel absorbente y volver a instalar la cuchilla. Colocar el queso crema en el bol. Pulsar 5 veces, raspar el bol, y luego procesar por 30-35 segundos, hasta obtener una mezcla cremosa. Agregar el azúcar y la sal; pulsar unas cuantas veces, y luego procesar hasta obtener una mezcla homogénea (raspar el bol si es necesario). Encender el aparato y agregar los huevos, uno a la vez. A continuación, agregar la vainilla y procesar hasta combinar.
- Agregar el yogurt y pulsar repetidamente para mezclar.
- Verter con cuidado la mezcla en el molde preparado. Dar golpecitos para eliminar las burbujas de aire; reservar. Enjuagar el bol y la cuchilla, y volver a instalarlos.
- Preparar la salsa de frambuesa: Nota: La salsa de frambuesa puede prepararse el día anterior y refrigerarse hasta el momento de usar. Colocar las frambuesas y el azúcar en el bol. Procesar por 20-30 segundos, hasta obtener una mezcla suave. Colar la salsa con un colador de malla fina. Verter la salsa de frambuesa en círculos encima del pastel de queso y, usando la punta de un cuchillo o un pincho, revolver la mezcla para crear un atractivo diseño marmolado.
- Si agua se ha evaporado de la bandeja, agregar más. Colocar el molde en la rejilla en el centro del horno. Hornear por 1 hora, cubriendo si apretar con papel de aluminio después de 40 minutos. Después de una hora, apagar el horno y dejar el pastel en el horno apagado por una hora más.
- Dejar enfriar sobre una rejilla, y luego cubrir y refrigerar por 8 horas o más antes de desmoldar y servir.

#### **Información nutricional por porción:**

Calorías 311 (53 % de grasa) • Carbohidratos 31 g • Proteínas 31 g • Grasa 19 g • Grasa saturada 10 g • Colesterol 92 mg  
Sodio 256 mg • Calcio 34 mg • Fibra 1 g

## Crema de chocolate y avellanas

Úntela en una tostada caliente para un bocado delicioso.

**Rinde:** Aprox. 2 tazas

### INGREDIENTES

1½	tazas (150 g) de avellanas sin piel	½	taza (120 ml) de crema líquida para batir ("heavy cream")
1	taza (115 g) de chispas de chocolate semidulce	6	cucharadas (85 g) de mantequilla sin sal, en pedazos de 1 in (2.5 cm), a temperatura ambiente
2	cucharadas (35 g) de azúcar granulada		
½	cucharadita de sal kosher		

### INSTRUCCIONES

- Precalentar el horno a 350 °F (175 °C). Esparcir las avellanas en una placa para horno y tostar por 5-8 minutos, hasta que estén doradas y fragantes. Sacar del horno y dejar enfriar sobre una rejilla.
- Colocar las chispas de chocolate en un bol de metal pequeño. Colocar el bol por encima de una cacerola de agua hirviendo a fuego lento y revolver hasta que esté completamente derretido. Reservar.

3. Instalar la cuchilla universal. Colocar las avellanas, el azúcar y la sal en el bol. Pulsar 5-6 veces, y luego procesar hasta conseguir una consistencia parecida a una pasta espesa.
4. Agregar el chocolate caliente, la crema y la mantequilla. Procesar hasta obtener una mezcla suave. Pasar a un recipiente hermético y refrigerar por al menos 30 minutos. Refrigerar por un máximo de 2 semanas.

**Consejo:** Para mejores resultados, sacar del refrigerador 30 minutos antes de servir.

**Información nutricional por porción de 1 cucharada:**

Calorías 94 (73 % de grasa) • Carbohidratos 6 g • Proteínas 1 g • Grasa 8 g • Grasa saturada 4 g • Colesterol 11 mg  
Sodio 39 mg • Calcio 10 mg • Fibra 1 g

©2023 Cuisinart  
Glendale, AZ 85307  
Impreso en China

23CE086313

**IB-17905-ESP**