



Shark IX140 Series Pet Cordless Stick Vacuum User Manual

[Home](#) » [Shark](#) » Shark IX140 Series Pet Cordless Stick Vacuum User Manual 

Contents

- [1 Shark IX140 Series Pet Cordless Stick Vacuum User Manual](#)
- [2 WHAT'S INSIDE:](#)
- [3 ASSEMBLY](#)
- [4 POWER SETTINGS](#)
- [5 LI-ION BATTERY](#)
- [6 CHARGING](#)
- [7 VERSATILE CLEANING](#)
- [8 EMPTYING THE DUST CUP](#)
- [9 DOWNLOAD](#)
- [10 Related Posts](#)

Shark IX140 Series Pet Cordless Stick Vacuum User Manual



IX140 Series QUICK START GUIDE

[Please make sure to read the enclosed Shark® Owner's Guide prior to using your vacuum.]

Use this Quick Start Guide to start using your new vacuum's great features.

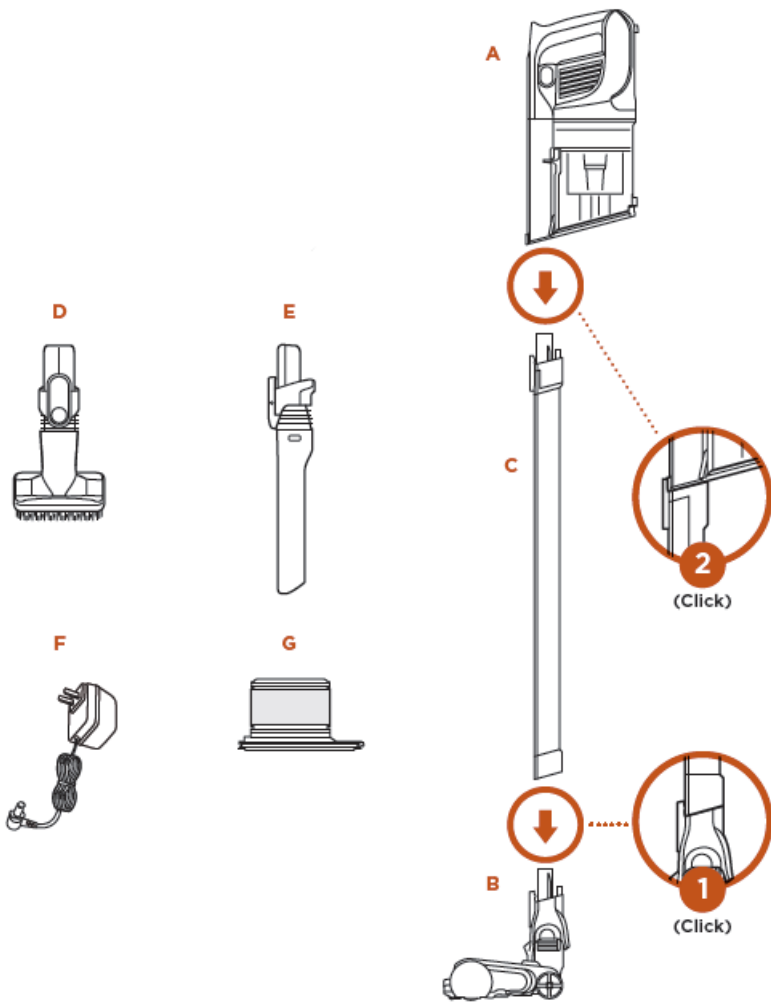
For questions, visit us online at sharkclean.com/support

Register your vacuum at registeryourshark.com

WHAT'S INSIDE:

- A. Handheld Vacuum
- B. Motorized Floor Nozzle
- C. Wand
- D. Dusting Brush
- E. 8" Crevice Tool
- F. Li-Ion Charger
- G. Post Motor Filter (Pre-Installed)

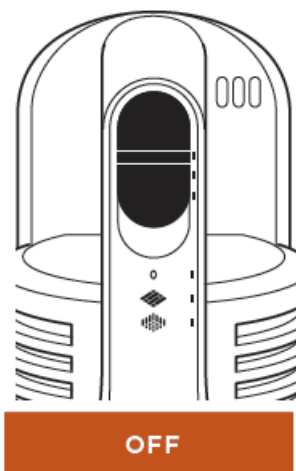
ASSEMBLY



For complete maintenance instructions, see the enclosed Owner's Guide.
 For additional parts and accessories, visit sharkaccessories.com.
 For additional batteries and charging accessories, visit sharkclean.com/batteries.

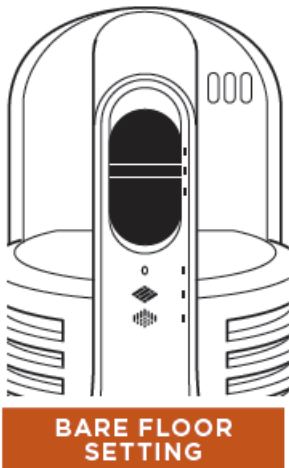
POWER SETTINGS

OFF:



Slide switch to the top to turn off power.
 To begin vacuuming in Standard Mode, slide switch to the appropriate setting.

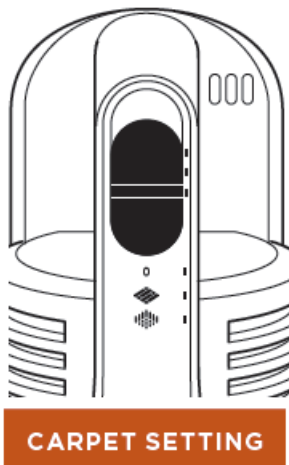
BARE FLOOR SETTING:



Bare Floor/Area Rugs

The brushroll spins slowly to clean bare floors and low-pile area rugs

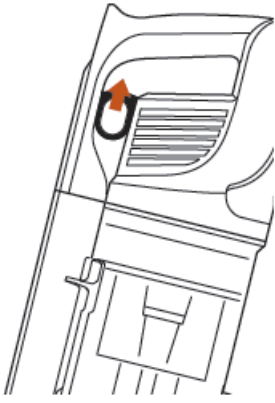
CARPET SETTING:



Carpet

The brushroll spins faster to pick up debris below the surface of your carpets.

BOOST MODE:



BOOST MODE

For an added boost in power, pull the Trigger on the handheld vacuum. Release it to return to standard power.

NOTE: For deep cleaning per ASTM F 608 (embedded dirt in carpets) please select the Carpet setting and pull the trigger to go into Boost mode.

NOTE: Select Carpet setting for stuck-on dirt and debris.

LI-ION BATTERY

In Use



Charging

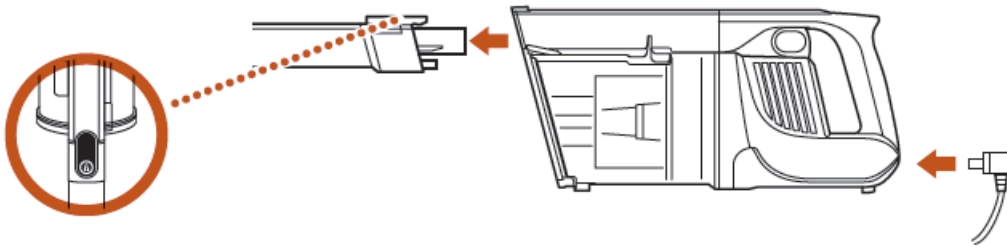


Battery Indicator Lights

NOTE: The battery comes partially charged. Charge fully before first use.

CHARGING

To charge, remove the handheld vacuum from the wand by pressing the Wand Release button and pulling up. Plug the charger into the charging port.

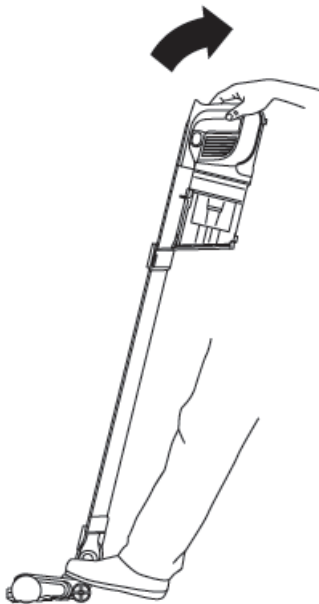


Battery Run Time

MODE	MINUTES
Hand Vac	40
Bare Floor/ Standard Mode	25
Carpet Mode	25
Boost Mode (Hand Vac)	10

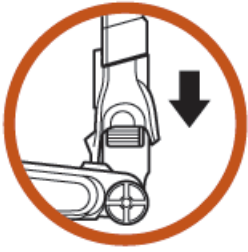
VERSATILE CLEANING

Slide the power button to the desired setting. Step on the floor nozzle and tilt the handheld vacuum back.



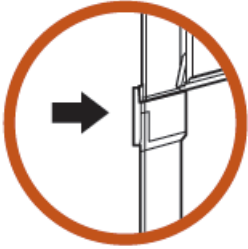
NOTE: Brushroll will only engage when the handle is tilted back.

To detach the wand for above-floor cleaning, stand the vacuum upright, then press the Nozzle Release button on the bottom of the wand and pull the wand up to disconnect it.



OR

To detach the handheld vacuum, press the Wand Release button and lift the handheld vacuum off the wand.

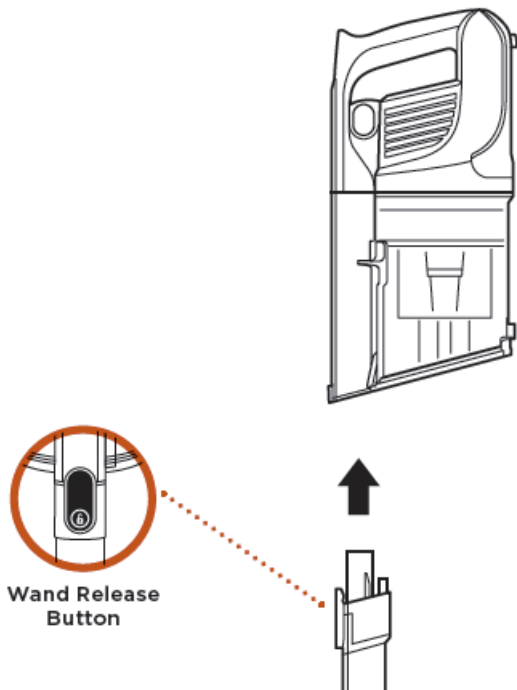


THEN

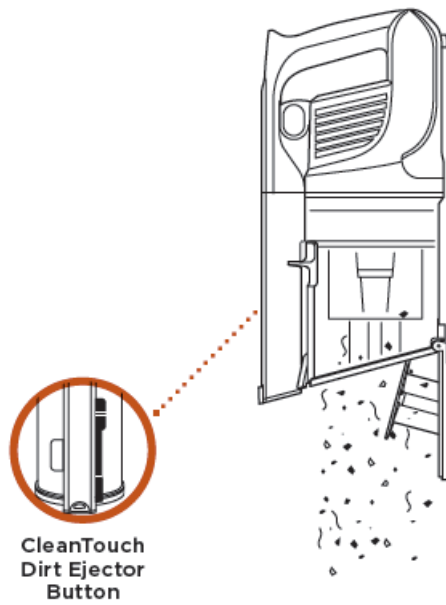
Attach a cleaning accessory, then choose the power setting.

EMPTYING THE DUST CUP

1. To empty the dust cup, first disconnect the handheld vacuum from the wand by pressing the Wand Release button and pulling up on the handheld vacuum.



2. Position the dust cup over a trash bin and slide the CleanTouch™ Dirt Ejector Button forward.



©2019 SharkNinja Operating LLC. SHARK and ROCKET are registered trademarks of SharkNinja. CLEANTOUCH is a trademark of SharkNinja Operating LLC. CleanTouch

IX140_QSG_PP_Mv8

DOWNLOAD

Shark IX140 Series Pet Cordless Stick Vacuum:

Quick Start Guide – [[Download PDF](#)]

Owner's Guide – [[Download PDF](#)]
