

iWAP260 - Quick Start Guide (English)

Size: 153 x 140 mm (folded)

Color: 1C+1C

Material: 157 gsm WF paper

Aug. 12, 2021



Cover page

iHome
HEALTH

3 Stage True HEPA Air Purifier



iWAP260
Quick Start Guide

IMPORTANT SAFETY INSTRUCTIONS - PLEASE READ BEFORE USE

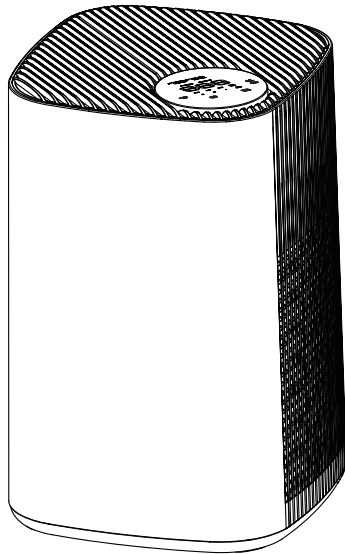
In rooms where candles or oil lamps are frequently burned, the smoke from these products tend to stick on and around the unit. Avoid placing the appliance in a location where it will be subjected to smoke from oil lamps or candles. This unit should not be located near a fireplace, whether or not the fireplace is actually in operation. Dust and soot from the chimney could be rapidly be drawn through the air purifier and deposited on or around the unit. In any area where this product is subjected to heavy pollution or smoke, it will be necessary to clean the unit and filter more frequently.

Warnings:

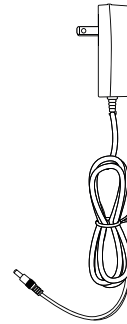
To reduce the risk of fire, electric shock or injury when using any electrical appliance, basic precautions should always be observed, including the following:

- Do not use different specifications of power adapter, please install the power adapter attached with this product.
- Do not attempt to defeat this or any other safety feature.
- For indoor use only.
- Before unplugging the unit from the outlet, turn off all the controls.
- Do not unplug from the electrical outlet by pulling the adapter cord. Grasp the plug itself, not the cord.
- Do not handle the plug or appliance with wet hands.
- Unplug from outlet when not in use and before any servicing, such as cleaning.
- Do not allow the appliance to be used as a toy. Close attention required when the appliance is operated near children.
- Use only as described in this user manual.
- Do not use if cord or plug appears to be damaged. If the appliance is not working properly, or has been dropped, the enclosure damaged, left outdoors or dropped into water or liquid has been spilled into the enclosure, exposed to rain,, contact a service center for evaluation.
- Do not pull, lift or carry by the power cord. Do not use the cord as a handle, close a door on, or pull the cord around or against sharp edges or corners, which can fray or damage the power cord.
- Keep the cord away from heated surfaces.
- Do not put any object into openings. Do not cover the air inlet and outlet. Do not continue to use with any opening blocked. Keep all openings free of dust, lint, hair or anything that may reduce airflow.
- Keep hair, loose clothing, fingers and all parts of the body away from openings.
- Do not operate the unit in areas where flammable or combustible products or vapors may be present.
- Do not use the appliance in the bathroom or other places with high temperature and humidity.
- Unplug unit and clean only with damp cloth. Stronger cleaning agents, such as Benzene, thinner or similar materials can damage the surface of the unit.
- The mains plug of power adaptor is used as the disconnect device, it shall remain readily operable.
- Do not expose this product to rain or moisture.
- **READ AND SAVE THESE INSTRUCTIONS**

What's In the Box



iWAP260



AC Adapter

Set-Up

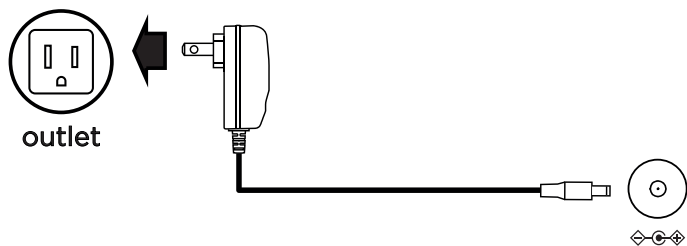
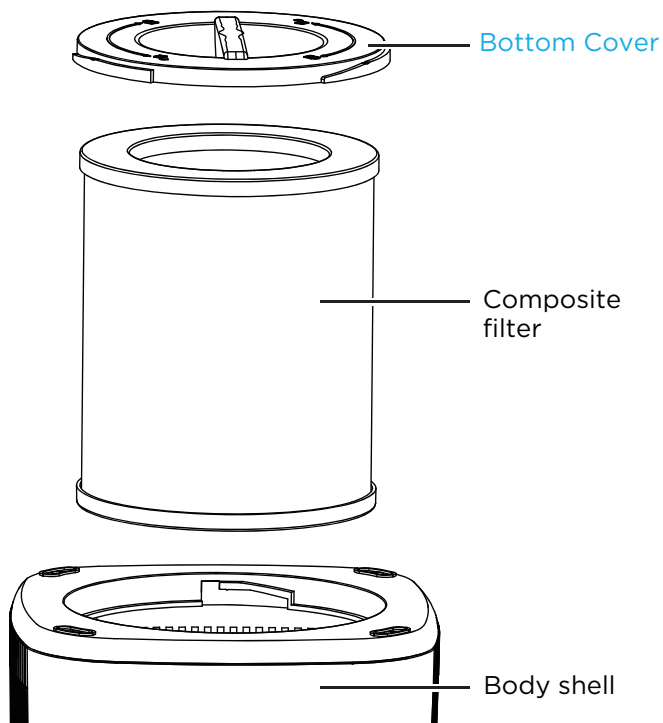
- Place the unit on a level surface away from sources of direct sunlight or excessive heat.
- Protect your furniture when placing your unit on a natural wood and lacquered finish. A cloth or other protective material should be placed between it and the furniture.

Getting Started

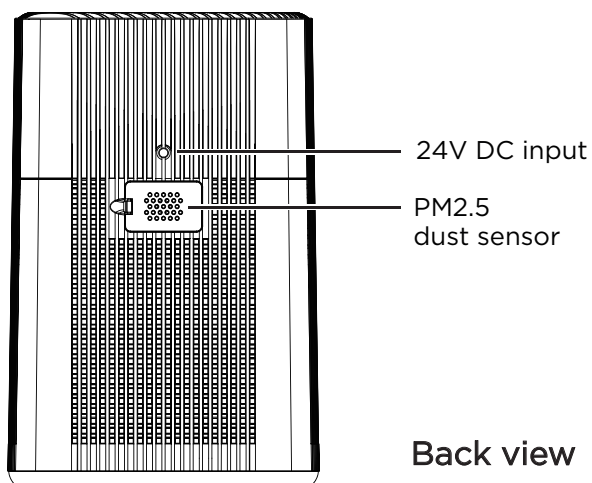
Remove contents from the packaging.

Note: The HEPA filter is located at the bottom of the unit and is sealed for protection. Remove plastic cover before use.

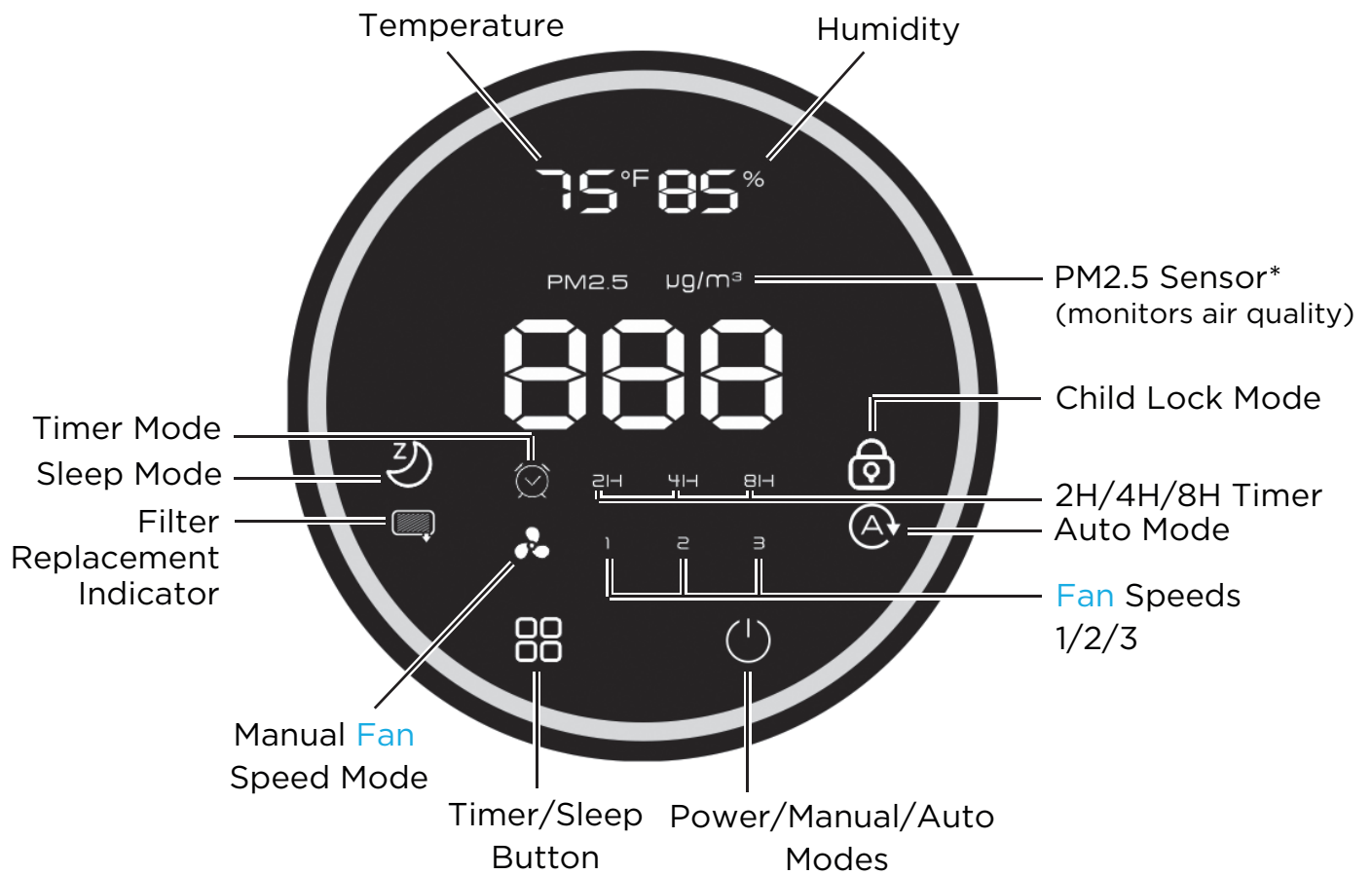
Place the composite filter inside the body shell of the unit, and rotate the bottom cover until it locks into place.



Connect included AC adapter to DC jack on the back of unit and the other end to a working wall outlet not controlled by a light switch.



Control Panel and Display



Air quality*	Good	Normal	Bad
PM2.5	0-75	76-150	>150
Light color	Green	Yellow	Red
Fan speed	1	2	3

Using The Air Purifier

POWERING ON/OFF

Press the Power Button once to turn the unit ON. Press and hold the Power Button for 3 seconds to turn the unit OFF.

AUTO/MANUAL MODES

The unit defaults to Auto when powered ON. Press the Power Button once to switch to Manual Mode. Press again repeatedly to cycle through [Fan Speeds](#) 1, 2, and 3, then back to Auto Mode.

TIMER/SLEEP MODES

Press the Timer Button once to activate a 2 hour timer. Press again to select a 4 hour timer, and press three times to select an 8 hour timer. A fourth press of the Timer Button will activate Sleep Mode - the display will dim and the unit will operate [in the quietest fan speed](#). Press the Timer Button again to return to previous settings.

FILTER REPLACEMENT REMINDER

Estimated life of the air filter is [6-8 months](#). The filter replacement indicator will light up on the display when it is time to replace your filter. Once you insert a new filter, press and hold the Timer Button for 6 seconds to reset the unit to zero hours.

CHILD LOCK STATUS

Press and hold the Timer Button and the Power Button at the same time to activate the child lock. The lock icon will appear on the display. Press and hold the Timer Button and the Power Button at the same time again to de-activate the child lock. The lock icon will disappear from the display.

MAINTENANCE

- Always unplug the power adapter before carrying out any cleaning or maintenance.
- Cleaning and maintenance time of filter for reference: About once a month. The filter surface should only be cleaned with a brush, dry cloth or vacuum. Do not use water or detergent to clean the filter. The material of filter can easily be damaged and deformed during cleaning. Do not press or pull hard. Replace with a new [filter](#) if it appears damaged.
- Filter replacement time for reference: About every 6-8 months. This will depend on the area of use, such as [heavy pollution and smoking areas, which can shorten the filter's life](#).
- The exterior housing of the unit can be cleaned using a slightly moist, not wet, cloth or sponge. Wipe the outside surface and the air inlet and outlet. Please do not use chemical [cleaners](#) to clean the surface.
- Before plugging the power adapter back into an electrical outlet, allow the unit to dry completely.

FCC INFORMATION

This equipment complies with FCC RF radiation exposure limits set forth for an uncontrolled environment.

This device complies with Part 15 of the FCC Rules, operation is subject to the following two conditions:

(1) This device may not cause harmful interference, and (2) this device must accept any interference received, including interference that may cause undesired operation.

- Warning: Changes or modifications to this unit not expressly approved by the party responsible for compliance could void the user's authority to operate the equipment.
- NOTE: This equipment has been tested and found to comply with the limits for a Class B digital device, pursuant to Part 15 of the FCC Rules. These limits are designed to provide reasonable protection against harmful interference in a residential installation. This equipment generates, uses and can radiate radio frequency energy and, if not installed and used in accordance with the instructions, may cause harmful interference to radio communications.

However, there is no guarantee that interference will not occur in a particular installation. If this equipment does cause harmful interference to radio or television reception, which can be determined by turning the equipment off and on, the user is encouraged to try to correct the interference by one or more of the following measures:

- Reorient or relocate the receiving antenna.
- Increase the separation between the equipment and receiver.
- Connect the equipment into an outlet on a circuit different from that to which the receiver is connected.
- Consult the dealer or an experienced radio/TV technician for help.

This equipment should be installed and operated with minimum distance 20cm (8in) between the radiator & your body.

ISED INFORMATION

This equipment complies with IC RSS-102 radiation exposure limits set forth for an uncontrolled environment.

This device contains licence-exempt transmitter(s)/receiver(s) that comply with Innovation, Science and Economic Development Canada's licence-exempt RSS(s). Operation is subject to the following two conditions:

(1) This device may not cause interference.

(2) This device must accept any interference, including interference that may cause undesired operation of the device.

The device [complies](#) with ISED RF exposure requirement, users can obtain Canadian information on RF exposure and compliance.

This equipment should be installed and operated with a minimum distance of 20 cm between the radiator and your body.

Any [changes](#) or modifications not expressly approved by the party responsible for compliance could void the user's authority to operate the equipment.

Cet équipement est conforme aux limites d'exposition aux radiations IC CNR-102 établies pour un environnement non contrôlé.

L'émetteur/récepteur exempt de licence contenu dans le présent appareil est conforme aux CNR d'Innovation, Sciences et Développement économique Canada applicables aux appareils radio exempts de licence. L'exploitation est autorisée aux deux conditions suivantes :

(1) L'appareil ne doit pas produire de brouillage;

(2) L'appareil doit accepter tout brouillage radioélectrique subi, même si le brouillage est susceptible d'en compromettre le fonctionnement.

L'appareil est conforme aux exigences d'exposition RF ISED, les utilisateurs peuvent obtenir des informations canadiennes sur l'exposition aux RF et la conformité.

Cet équipement doit être installé et utilisé avec une distance minimale de 20 cm entre le radiateur et votre corps.

Tout changement ou modification non expressément approuvé par la partie responsable de la conformité peut annuler l'autorité de l'utilisateur à utiliser l'équipement.

CAN ICES-3(B) / NMB-3(B)

WARRANTY

For product support information and warranty please visit:

www.ihome.com/support

© 2021 SDI Technologies, Inc. All rights reserved

Questions? Visit www.ihome.com