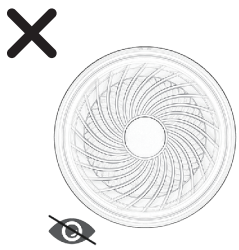


WARNING

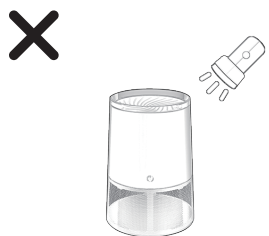
⚠ Do not use the unit any further if power cord is damaged.



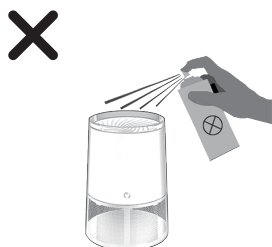
Do not stare at UV light.



Do not sit or stand near unit when on.



Avoid interference from any type of direct light source.



Do not spray insecticide into the Zapout.



Do not attempt to disassemble unit.



Do not allow children to play with unit. It is not a toy.



Follow local rules for proper disposal.

TROUBLESHOOTING

Fault Description	Possible Reasons	Next Step
Unit isn't working	The AC plug is not plugged-in	Connect AC plug to wall
	The circuit board is damaged	Replace unit
Noise	Broken fan	Replace unit
	Motor damaged	Replace unit
	Stuck object in fan blades	Clean out fan
UV lamp isn't work	UV lamp damaged	Replace unit

Distributed by:
AUDYGLOBAL

ENTERPRISES

1686 Commonwealth Ave, Boston, MA 02135
617-379-0023 | customerservice@audyglobal.com

www.audyglobal.com

Made in China

ZAPOUT
INDOOR INSECT & MOSQUITO TRAP

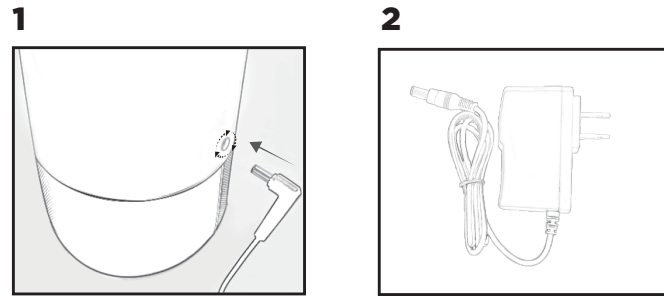


Instruction Manual

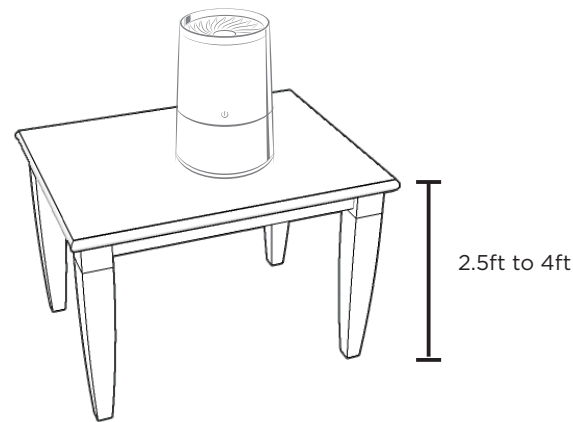
EPA Est No.: 093456-MA-1

OPERATING INSTRUCTIONS

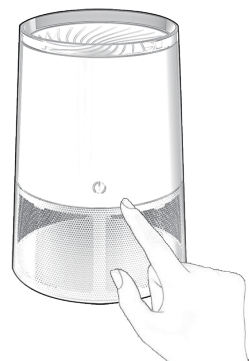
1. Connect AC adapter to Zapout unit first, then connect powerplug into any wall outlet.



2. For best results, place unit approximately 2.5ft to 4ft above ground and away from any direct lighting.

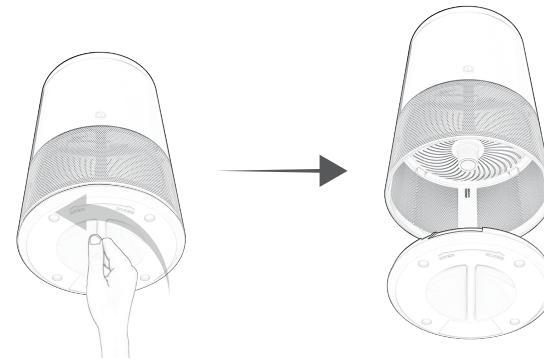


3. Touch the On/Off to turn on or off. The machine will power off automatically after 12 hours.

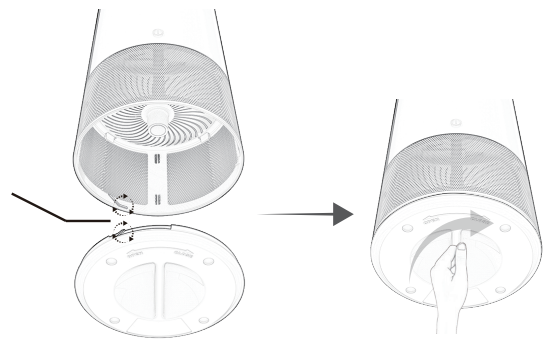


CLEANING

1. To Clean out unit from mosquitoes:
Grab the bottom cover handle with your hand, turn counterclockwise to open the bottom cover, clean out mosquito debris (as shown below).



2. After cleaning, ensure the bottom cover is aligned with unit. Tighten bottom cover clockwise until tight.



3. You can now plug the Zapout unit back in and is ready for use.

RECOMMENDATIONS FOR BEST RESULTS

1. Place unit between the source of the mosquitoes and main seating areas in the house.
2. Place trap in a shaded spot and away from indoor lighting interference.
3. Place the unit 2.5ft - 4ft above ground.
4. Keep safe distance from the Zapout unit when it's working and do not stay near it. Humans attract mosquitoes more than any other light wave. Mosquitoes might not go to trap as a result.
5. Make sure the mosquitoes are dead before opening the trap to flush it out. We recommend emptying unit every 7 days.

SAFETY PRECAUTIONS

1. Zapout should be used at rated voltage (adapter standard: output voltage DC 12V 1A).
2. Do not put your fingers or other objects into the screen when using Zapout.
3. When moving Zapout, ensure unit is unplugged first.

MAINTENANCE AND REPAIR

1. Please pull out the AC plug out of the wall prior to cleaning unit.
2. To clean the shell or blades, wipe dry with a cleaning cloth. Do not use any grinding tools or solvents. They can damage the surface of the unit.
3. Do not allow any water to get into unit.